



fireplacextrordinaire™

# 564 Double-Door Face

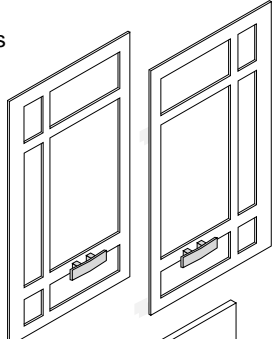
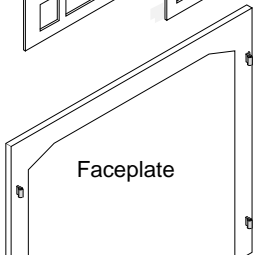





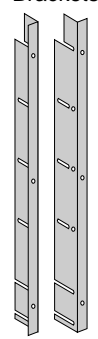

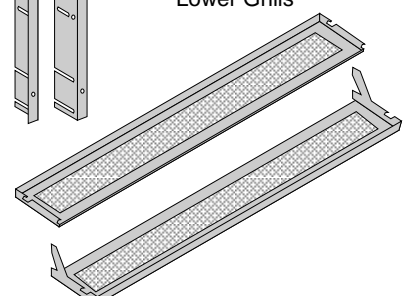
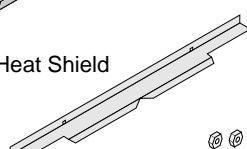
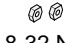
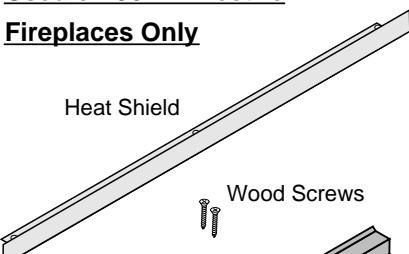

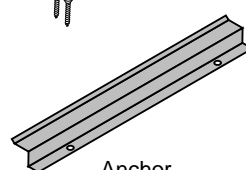
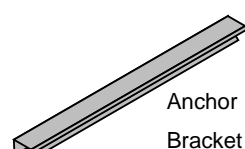
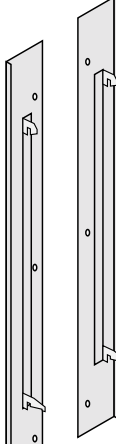
95400462 (Arched)

95400466 (Rectangular)

## Compatibility:

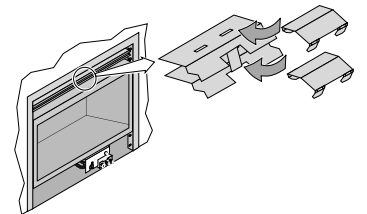
- 564 SS Gas Fireplace
- 564 Electric Fireplace

## Packing List:

Used on Both Fireplaces	Used on 564 SS Gas Fireplaces Only	Used on 564 E Electric Fireplaces Only
<p>Doors</p>  <p>Faceplate</p>  <p>Hinge Pin Shims</p>  <p>Hinge Pins</p>  <p>FPX Emblem</p>  <p>Magnets (shipped on doors)</p>  <p>8-32 Nuts</p> 	<p>Mounting Brackets</p>  <p>#8 x 3/8" Sheet Metal Screws</p>  <p>Upper and Lower Grills</p>  <p>Heat Shield</p>  <p>8-32 Nuts</p> 	<p>Heat Shield</p>  <p>Wood Screws</p>  <p>Anchor</p>  <p>Anchor Bracket</p>  <p>Hinge Brackets</p> 



**The center deflectors must be in place when using this face to prevent the facing above the fireplace from becoming too hot. If this face is replacing a Grill (96200801), make sure to replace the center deflectors.**





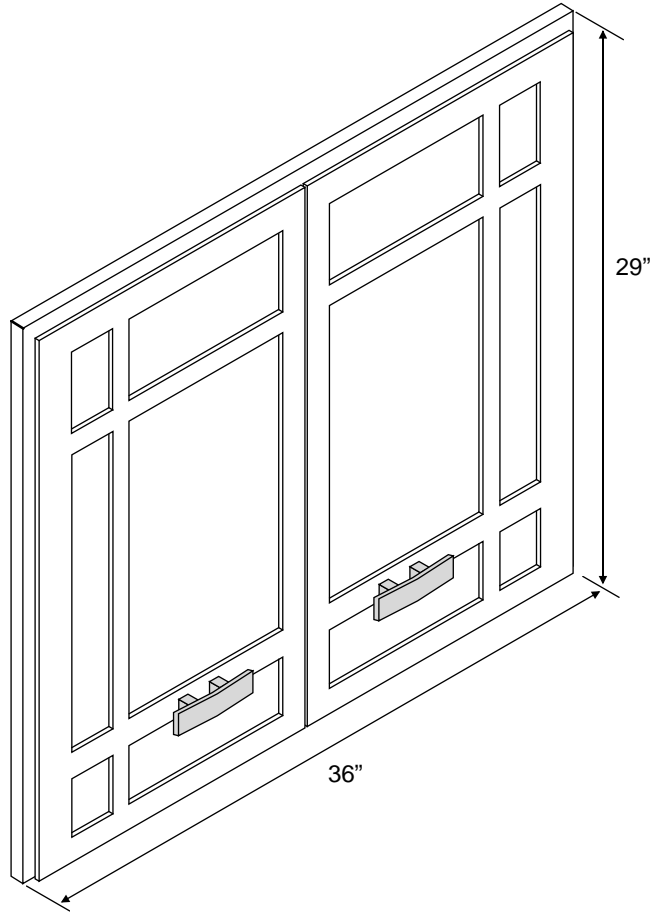
fireplacextrordinair™

# 564 Double-Door Face

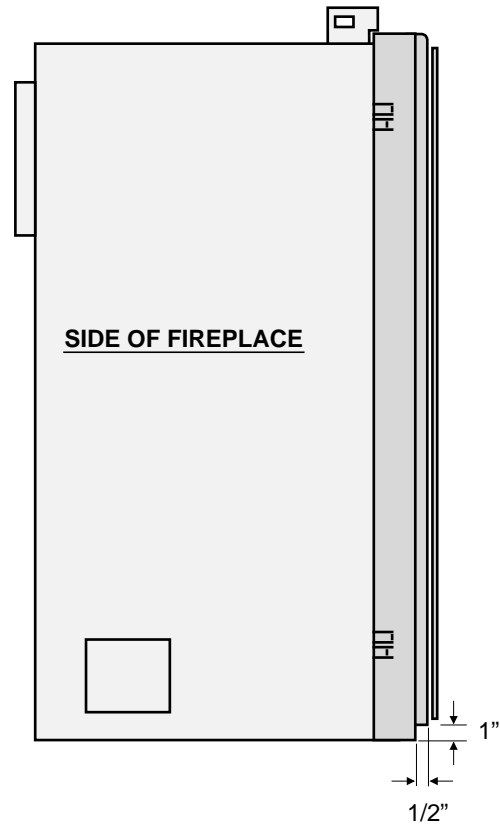
95400462 (Arched)

95400466 (Rectangular)

## Installation Details – 564 SS



**NOTE:** If using facing over 1/2" thick, the doors will not fully open.





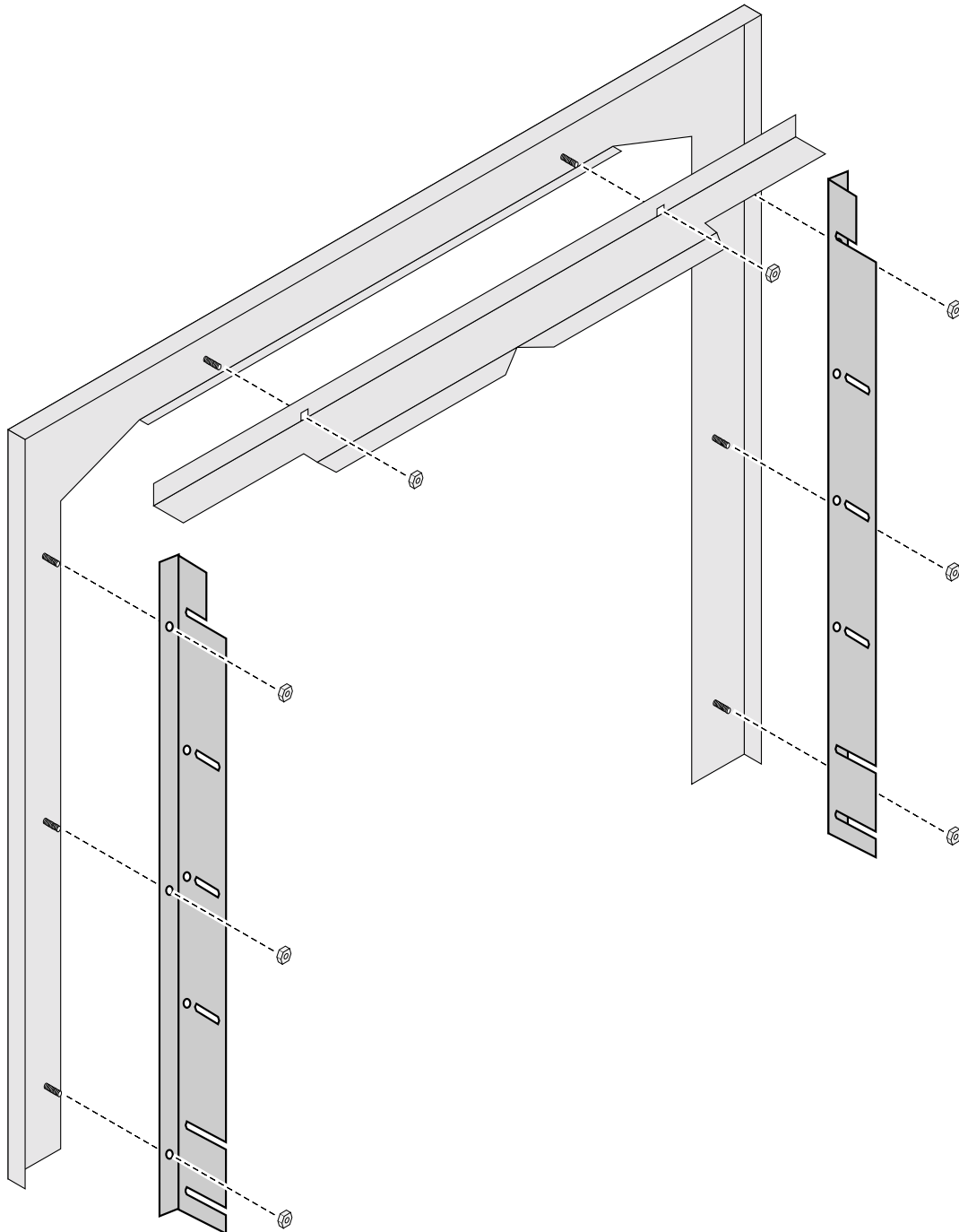
# 564 Double-Door Face

95400462 (Arched)

95400466 (Rectangular)

## **Installation – 564 SS**

- 1 Remove the glass frame from the fireplace (see the owner's manual for details).
- 2 Install the brackets and heat shield onto the back of the face following the directions below.



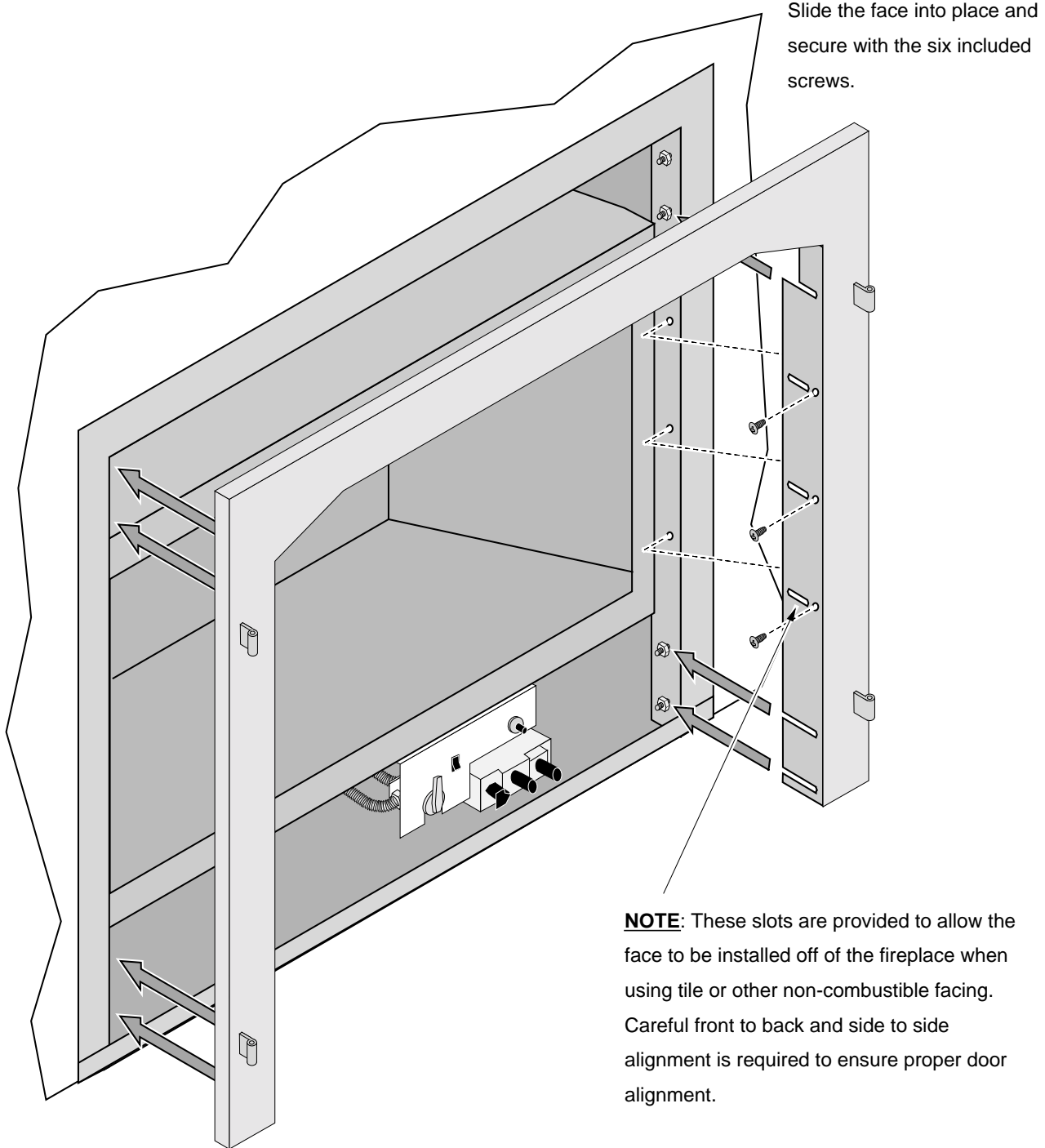


## 564 Double-Door Face

95400462 (Arched)

95400466 (Rectangular)

- 3 Attach the face to the fireplace following the directions below.





# 564 Double-Door Face

95400462 (Arched)

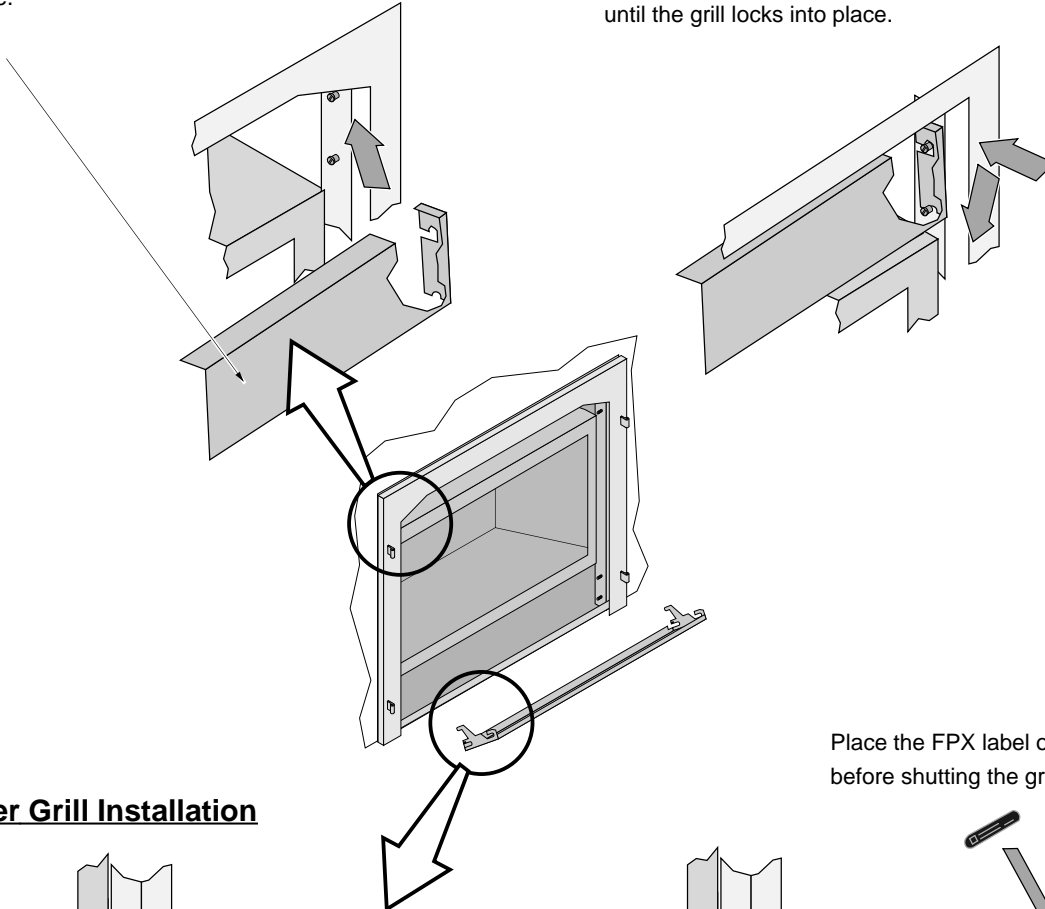
95400466 (Rectangular)

- 4 Attach the glass frame to the fireplace.
- 5 Hang the grills included with this face on the fireplace.

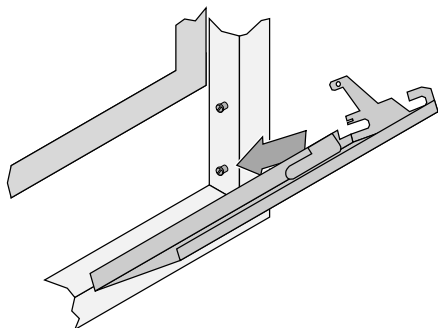
## Upper Grill Installation

Hold the grill at a slight angle and insert it behind the face and in front of the bushings on the fireplace.

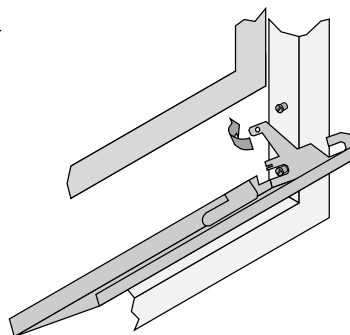
Line up the upper slots on the grill with the upper bushings on the fireplace. Push the grill in, then down until the grill locks into place.



## Lower Grill Installation

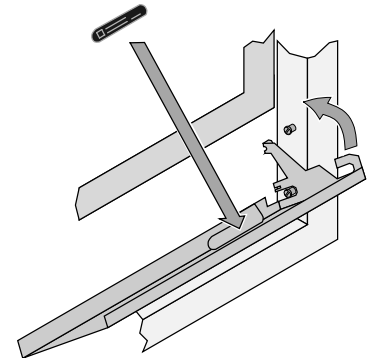


Hold the grill at an angle and insert the lower slot over the bushing on the fireplace (both sides). You may need press on the grill to get the tab over the bushing (this prevents the grill from accidentally falling off).



Bend the tab outward on both sides. This is the end-stop for the lower grill, it allows the grill to swing forward.

Place the FPX label onto this plate before shutting the grill.



Swing the grill upwards to engage the upper slot. You will need to lift the grill slightly to get it over the bushing. Once in place the grill is held in place by gravity.



# 564 Double-Door Face

95400462 (Arched)

95400466 (Rectangular)

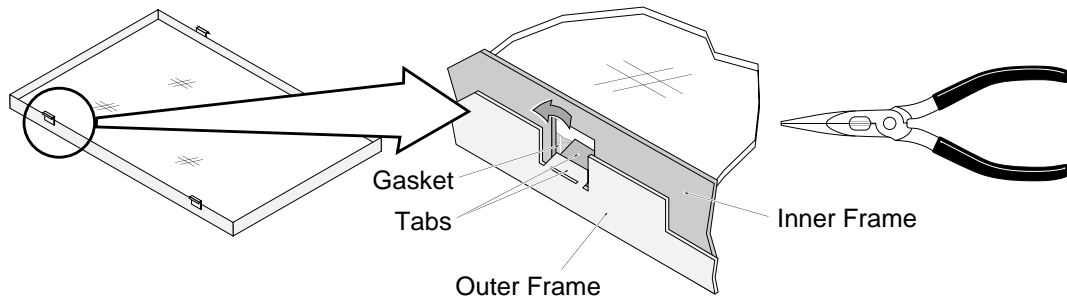


## 564 SS Screen Warning

Remove the screen from either the glass frame (on the fireplace – see illustration below) or doors (center screen only – see the illustration on the following page). Operating the appliance with both screens in place will lead to a safety hazard and void the warranty.

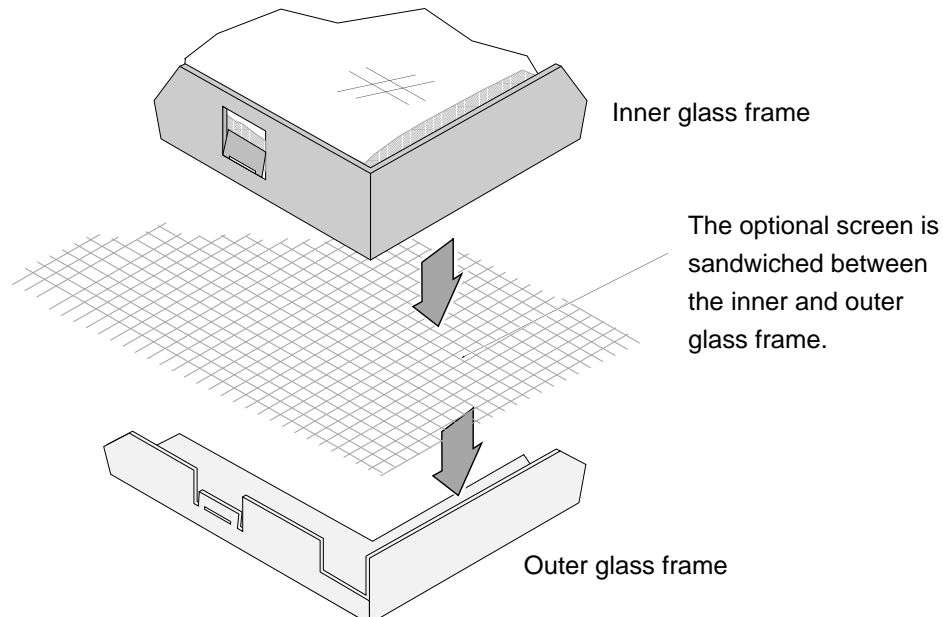
### REMOVING THE SCREEN FROM THE FIREPLACE (preferred)

Six sets of tabs hold the glass (and glass gasket) in place. Four of these tabs are at the corners, two are at the top and bottom of the glass frame.



**REMOVAL INSTRUCTIONS:** carefully bend the tabs out with needle-nose pliers (there are tabs on the inner and outer frame - the center tabs only have tabs on the inner frame). Do not pry these tabs, this may cause the glass to crack.

**REPLACEMENT INSTRUCTIONS:** carefully bend the tabs inward, making sure the tabs contact the gasket, not the glass. Bend the tab inwards 30°- do not over-bend the tabs.



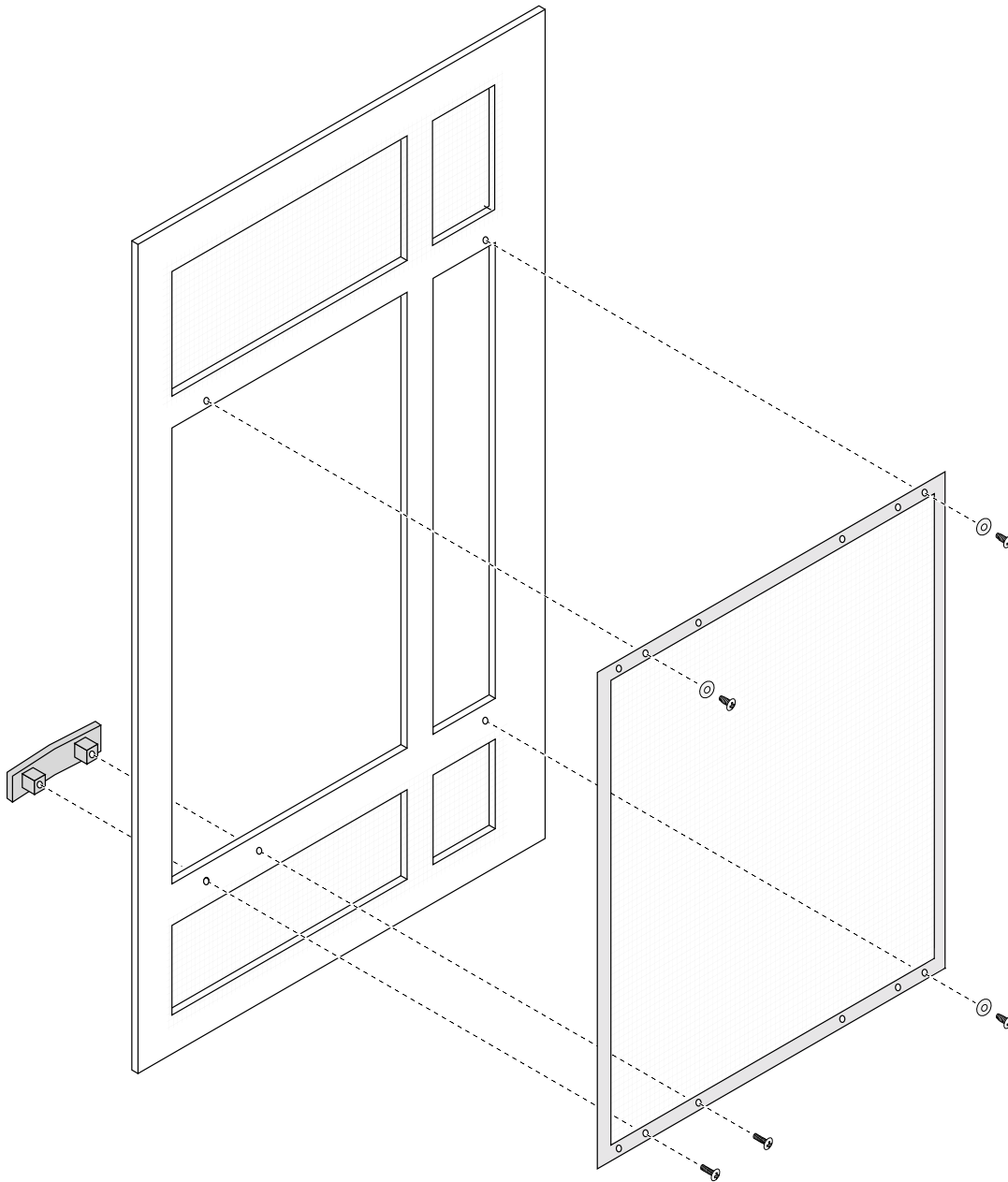


# 564 Double-Door Face

95400462 (Arched)

95400466 (Rectangular)

REMOVING THE SCREEN FROM THE DOORS (optional – see “564 SS Screen Warning” on previous page)





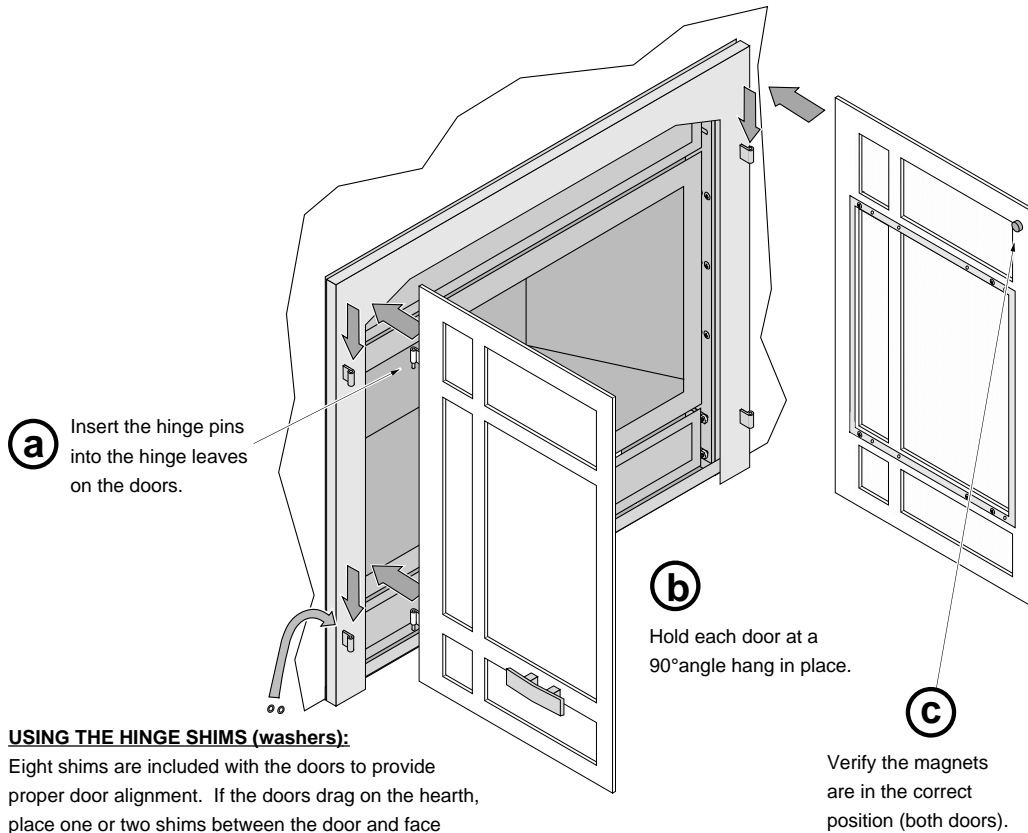
# 564 Double-Door Face

95400462 (Arched)

95400466 (Rectangular)

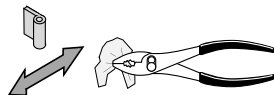
6 Install and align the doors following the directions below.

**NOTE:** Magnets are shipped attached to the doors. These powerful magnets may require pliers to reposition if necessary. Take care with the magnets to prevent damage and keep them away from children.



**USING THE HINGE SHIMS (washers):**

Eight shims are included with the doors to provide proper door alignment. If the doors drag on the hearth, place one or two shims between the door and face hinge.



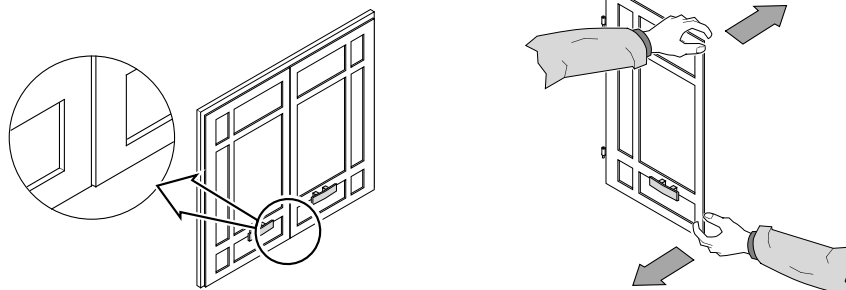
**ADJUSTING THE HINGES:**

If the gap between the doors is not even, the hinges on either side may be adjusted by bending the hinge tabs in or out. This allows the doors to be aligned left or right, top to bottom.

**NOTE:** place a rag over the hinge posts before grasping the hinge posts with pliers to prevent scratching.

**ADJUSTING THE DOORS**

Most doors will line up precisely when installed. You may, however, notice a slight mis-alignment between the two doors along the bottom edge. This is easily remedied by opening the door 90°, holding the upper and lower inner edges, and gently "twisting" it. Shut the door, check alignment, and repeat if necessary.





# 564 Double-Door Face

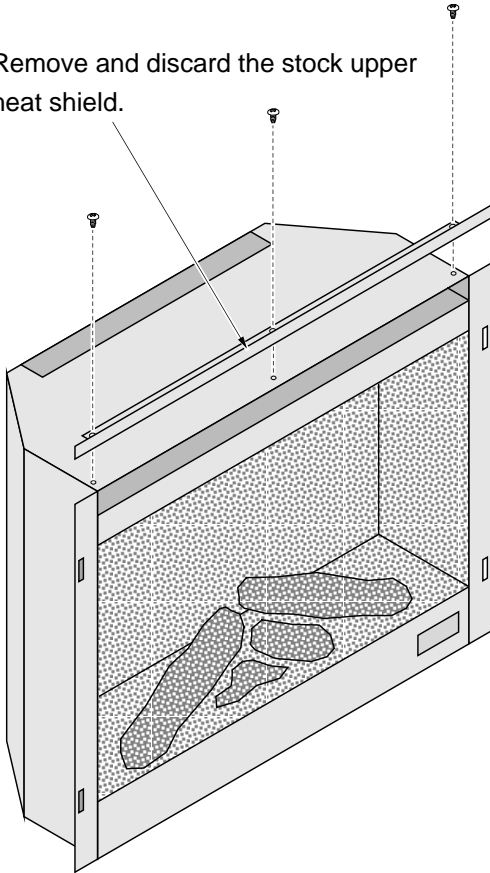
95400462 (Arched)

95400466 (Rectangular)

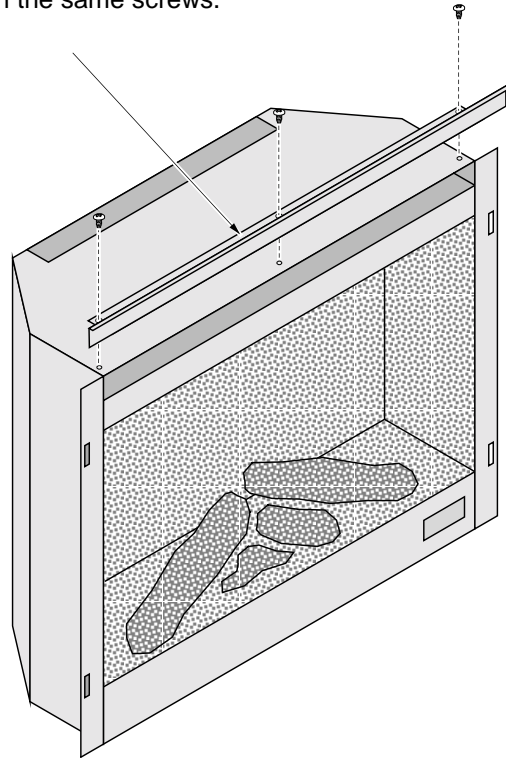
## **Installation – 564 Electric**

- 1 Install the upper heat shield onto the 564 E fireplace.

Remove and discard the stock upper heat shield.



Place the upper heat shield included with this kit on top of the fireplace (note position) and secure with the same screws.





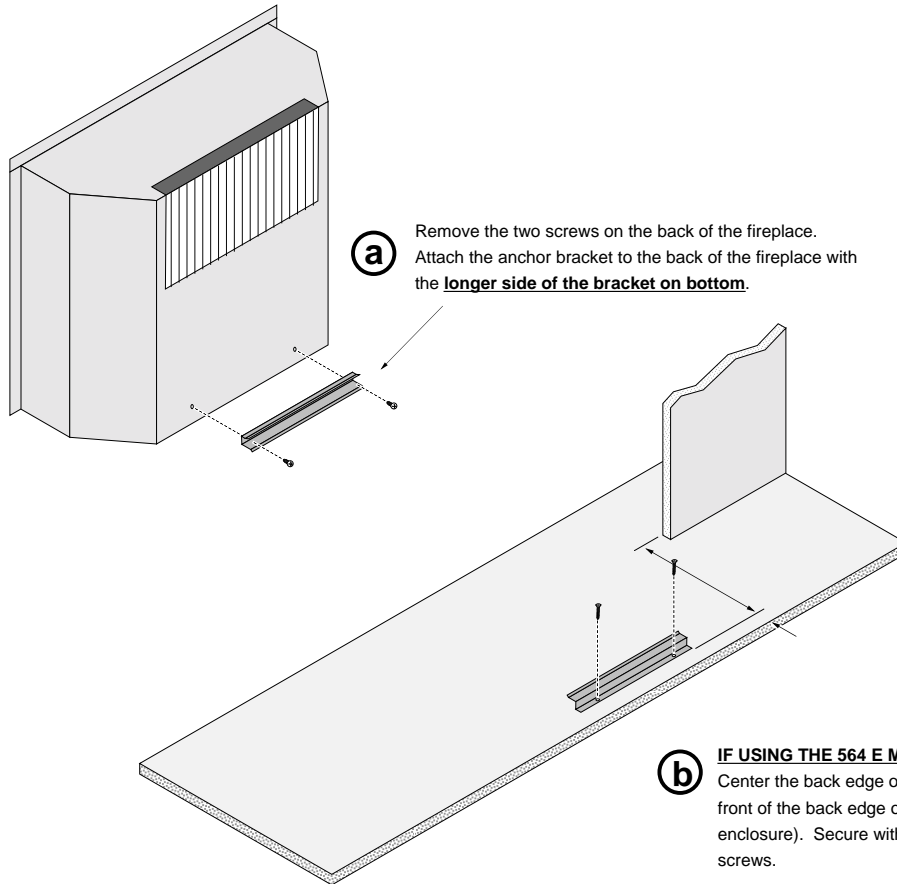
fireplacextrordinair™

## 564 Double-Door Face

95400462 (Arched)

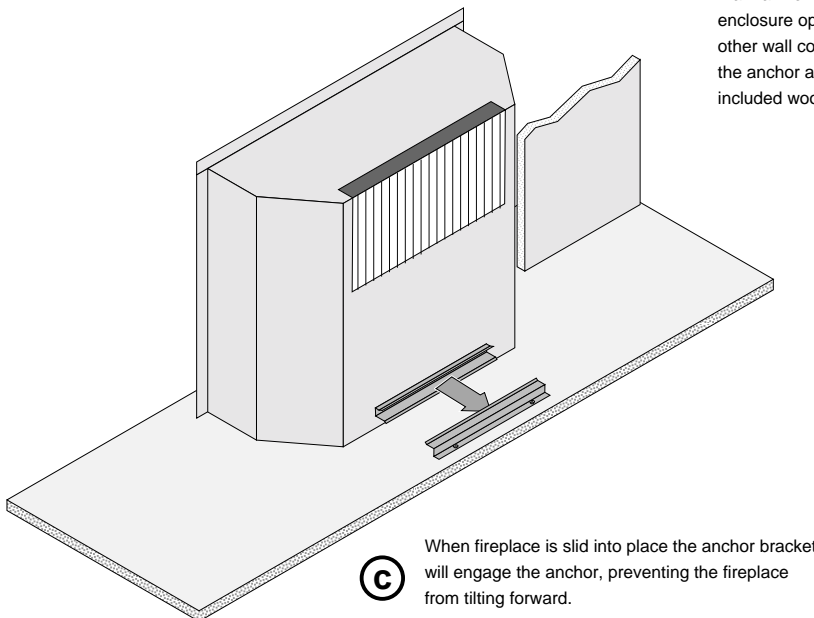
95400466 (Rectangular)

- 2 Pull the fireplace out of the mantel (or enclosure) and attach the anchor and anchor bracket following the directions below.



- b** **IF USING THE 564 E MANTEL**  
Center the back edge of the anchor 3/4" in front of the back edge of the hearth (mantel enclosure). Secure with the included wood screws.

**IF USING A BUILT IN INSTALLATION**  
Mark a line 12" back from the front edge of the enclosure opening (include the drywall, tile or other wall covering). Center the back edge of the anchor along this line and secure with the included wood screws.



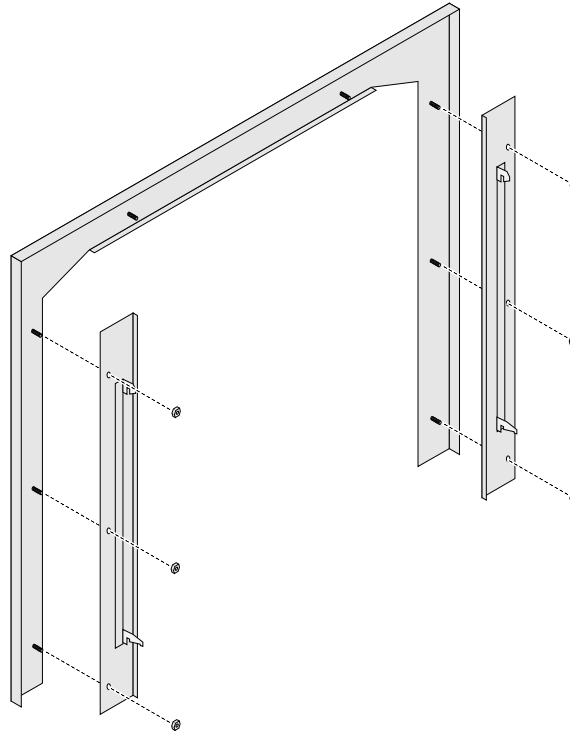


## 564 Double-Door Face

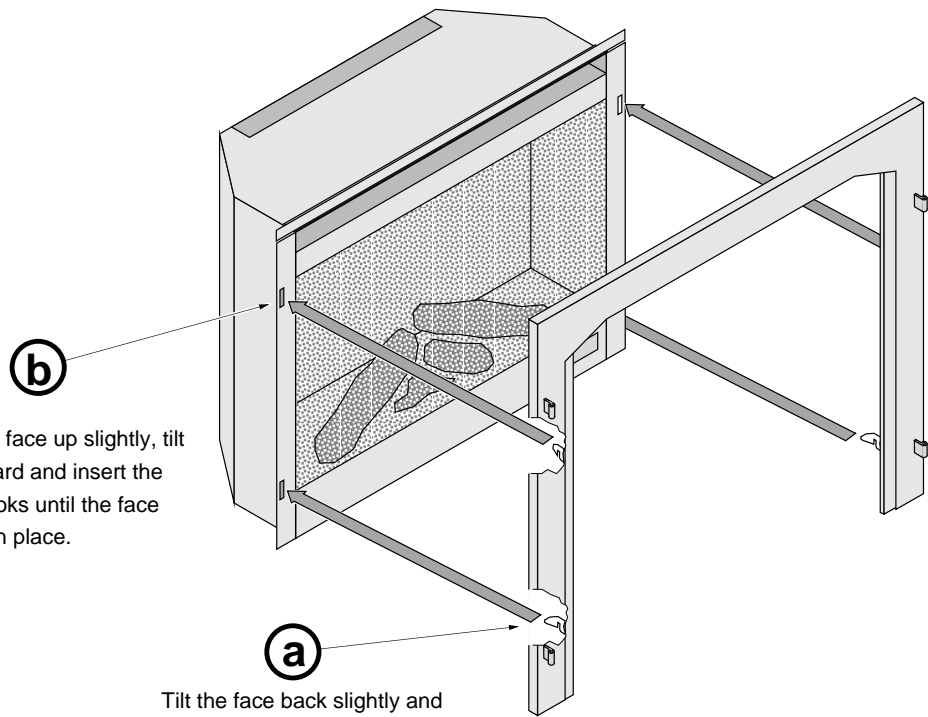
95400462 (Arched)

95400466 (Rectangular)

- 3 Install the mounting brackets following the directions to the right.



- 4 Pull the electric fireplace out of the mantel (or built-in location). Attach the face to the fireplace following the directions to the right. Slide the fireplace back into place, making sure the anchor engages the bracket, preventing the fireplace from tilting forward when the doors are opened.



**b** Lift the face up slightly, tilt it forward and insert the top hooks until the face locks in place.

**a** Tilt the face back slightly and insert the bottom hooks into the slots on the fireplace.



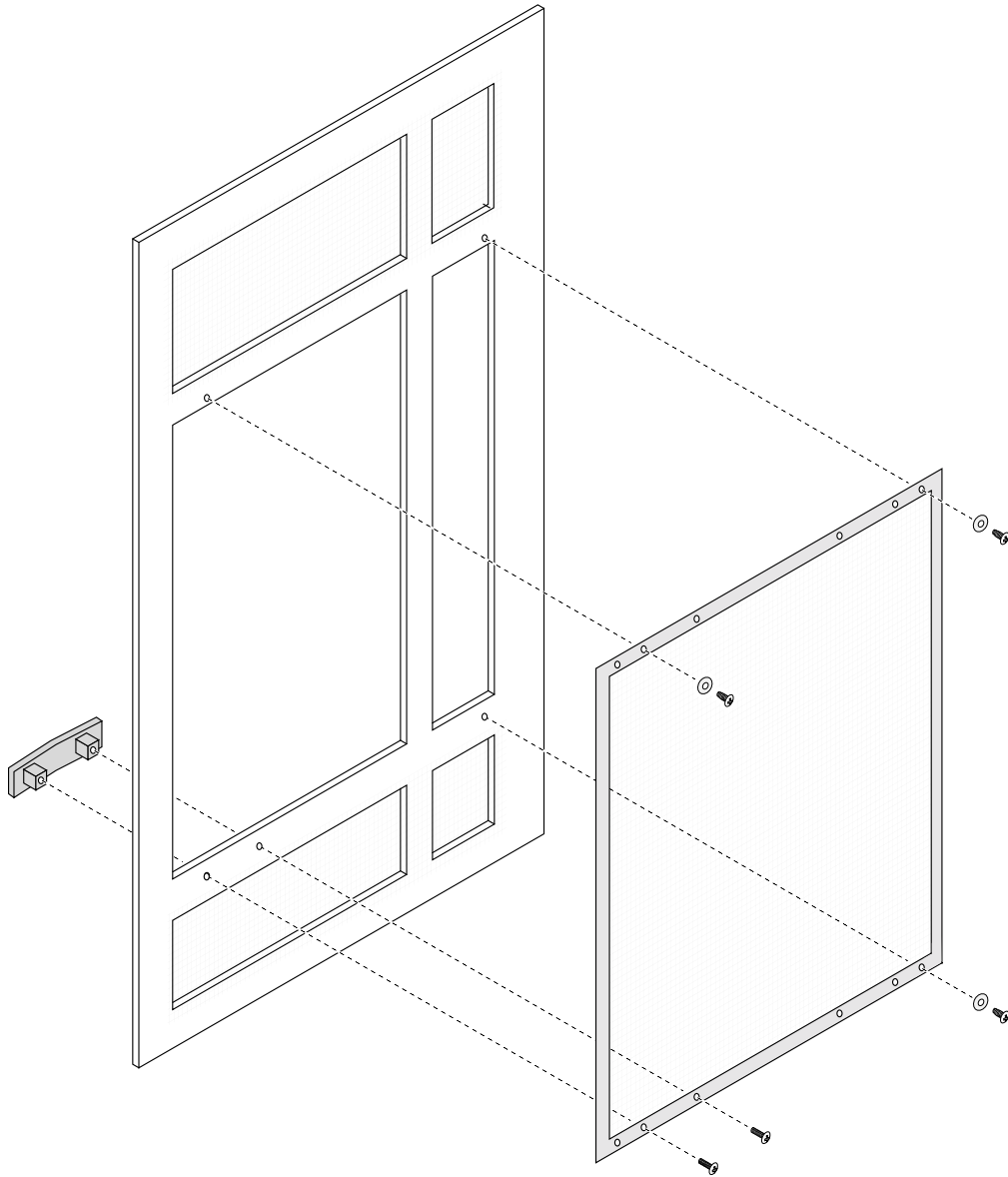
fireplacextrordinair™

## 564 Double-Door Face

95400462 (Arched)

95400466 (Rectangular)

- 5 The center screens attached to the doors are optional. We recommend removing these screens if you wish to better view the electric fireplace. See the illustration below.





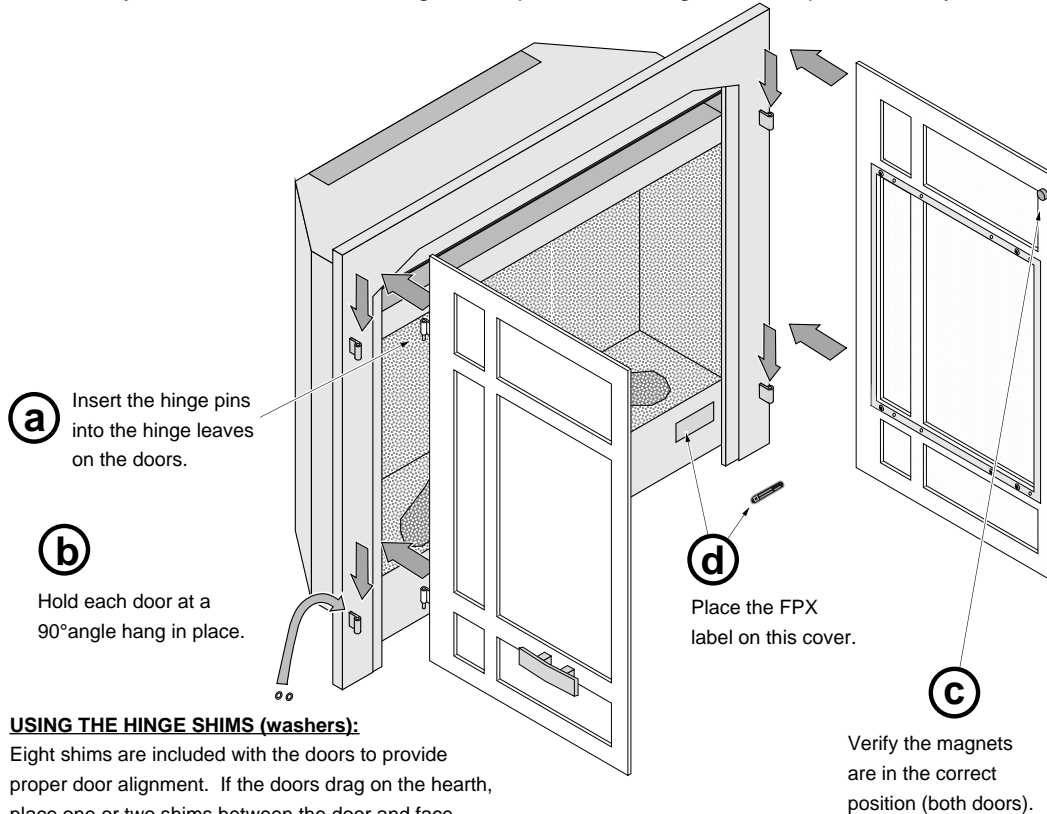
# 564 Double-Door Face

95400462 (Arched)

95400466 (Rectangular)

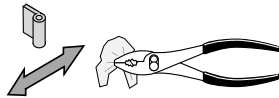
6 Install and align the doors as shown below.

**NOTE:** Magnets are shipped attached to the doors. These powerful magnets may require pliers to reposition if necessary. Take care with the magnets to prevent damage and keep them away from children.



**USING THE HINGE SHIMS (washers):**

Eight shims are included with the doors to provide proper door alignment. If the doors drag on the hearth, place one or two shims between the door and face hinge.



**ADJUSTING THE HINGES:**

If the gap between the doors is not even, the hinges on either side may be adjusted by bending the hinge tabs in or out. This allows the doors to be aligned left or right, top to bottom.

**NOTE:** place a rag over the hinge posts before grasping the hinge posts with pliers to prevent scratching.

**ADJUSTING THE DOORS**

Most doors will line up precisely when installed. You may, however, notice a slight mis-alignment between the two doors along the bottom edge. This is easily remedied by opening the door 90°, holding the upper and lower inner edges, and gently "twisting" it. Shut the door, check alignment, and repeat if necessary.

