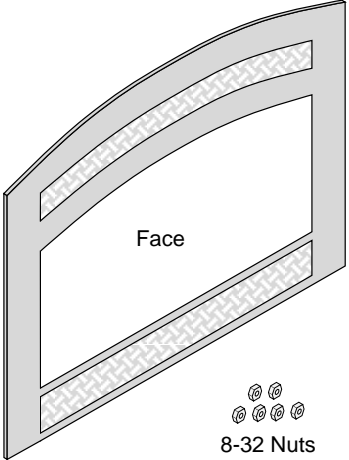

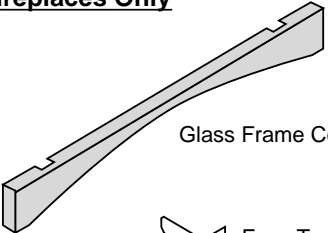
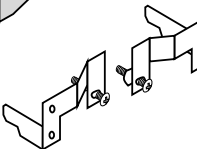

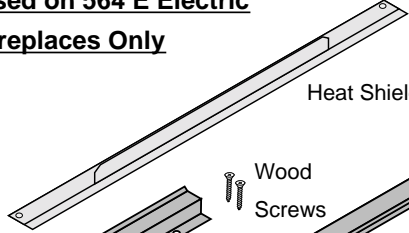

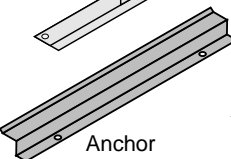
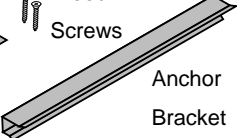
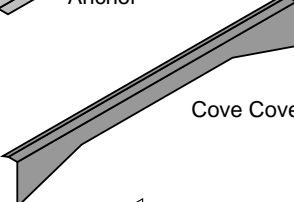
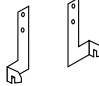
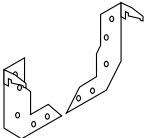



**Compatibility:**

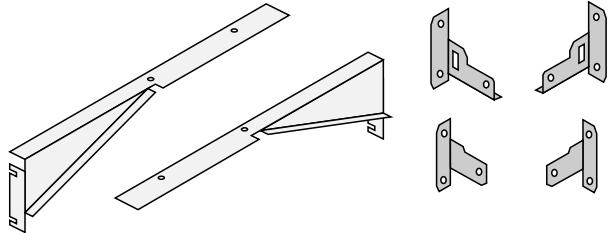
- 564 SS Fireplace
- 564 Electric Fireplace


**Packing List:**

Used on Both Fireplaces	Used on 564 SS Gas Fireplaces Only	Used on 564 E Electric Fireplaces Only
 <p>Face</p>  <p>8-32 Nuts</p>	 <p>Glass Frame Cover</p>  <p>Face Top Brackets</p>  <p>10-24 1-1/2" Screws</p>	 <p>Heat Shield</p>  <p>Wood Screws</p>  <p>Anchor</p>  <p>Anchor Bracket</p>  <p>Cove Cover</p>  <p>Upper Face Brackets</p>  <p>Lower Face Brackets</p>

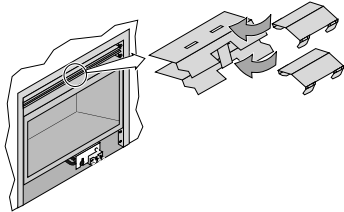


**The FPX Face Upgrade Kit (98500683) must be installed prior to installing the facing material and face.**

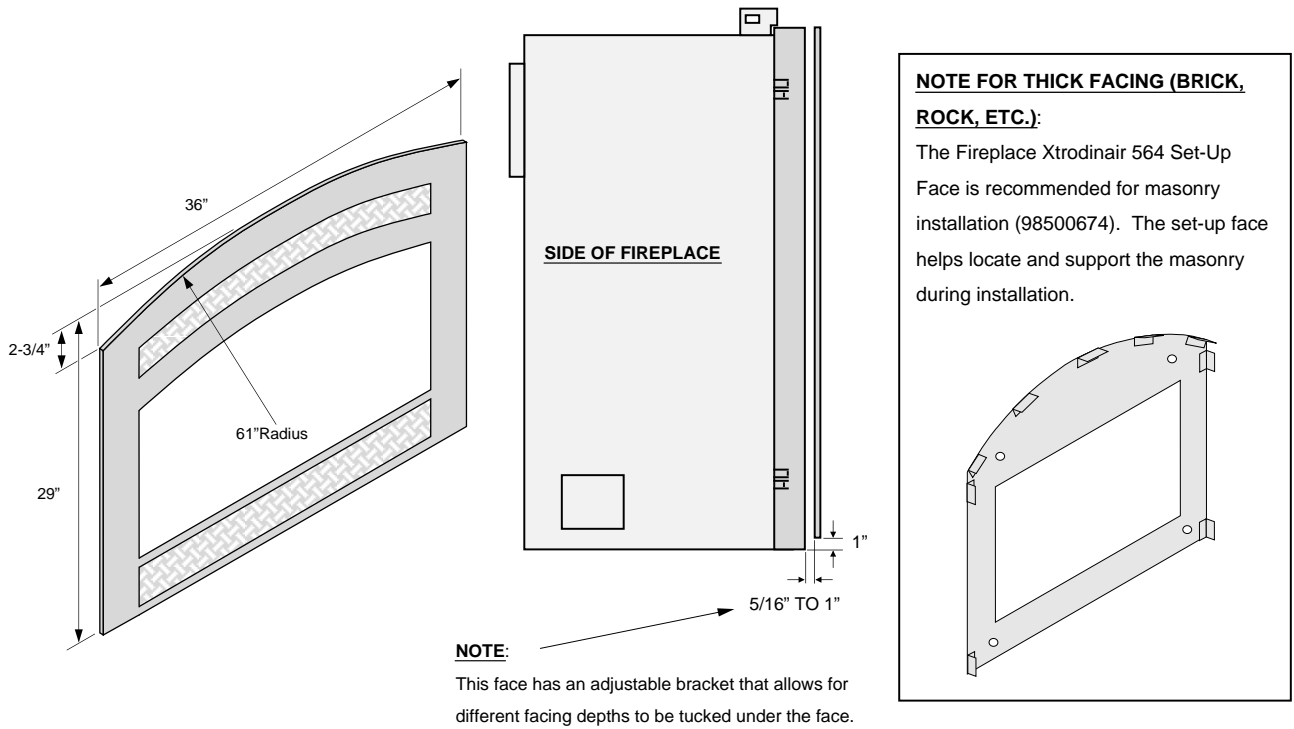




**The center deflectors must be in place when using this face to prevent the facing above the fireplace from becoming too hot. If this face is replacing a Lopi Grill (96200801), make sure to replace the center deflectors.**



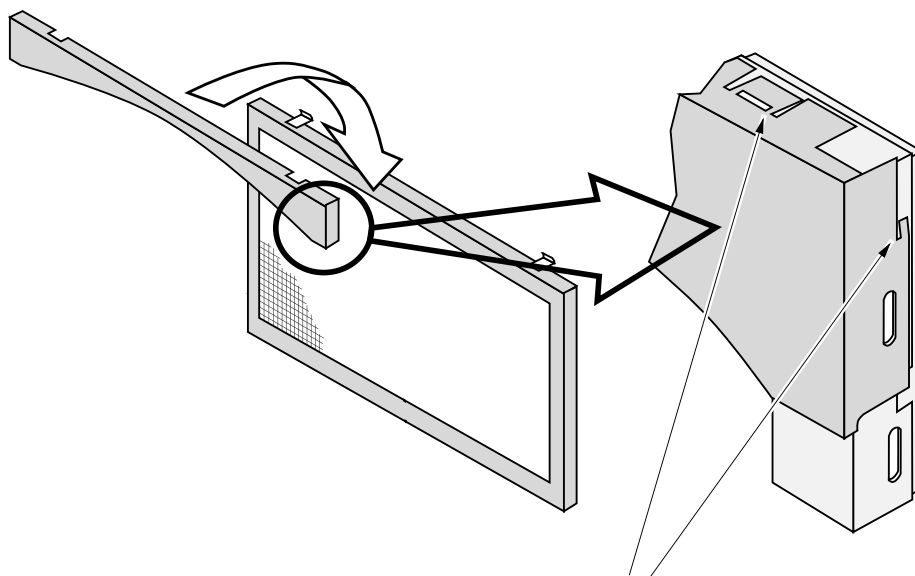
**Installation Details – 564 SS**



**Installation – 564 SS**

- 1 Remove the glass frame (see the owner's manual for details). Install the glass frame cover following the directions below. Replace the glass frame.

Place the cover over the top of the door frame.



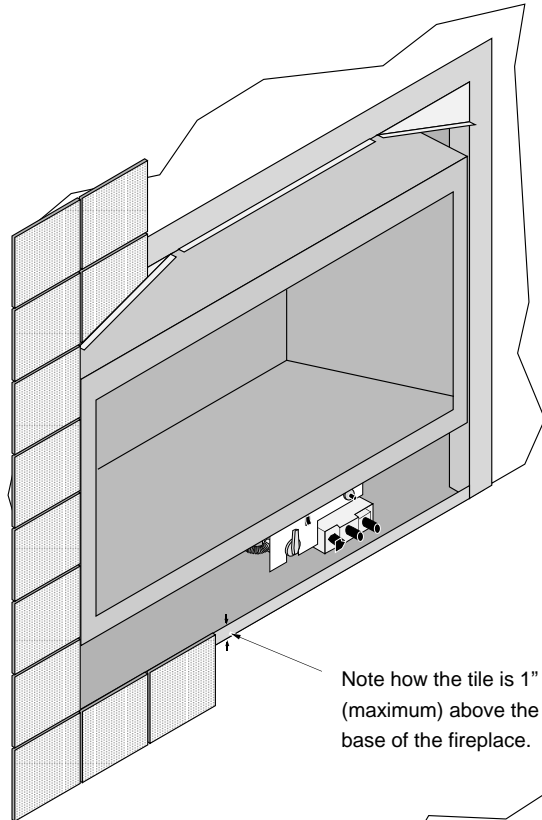
Push these tabs inwards to lock the cover in place.



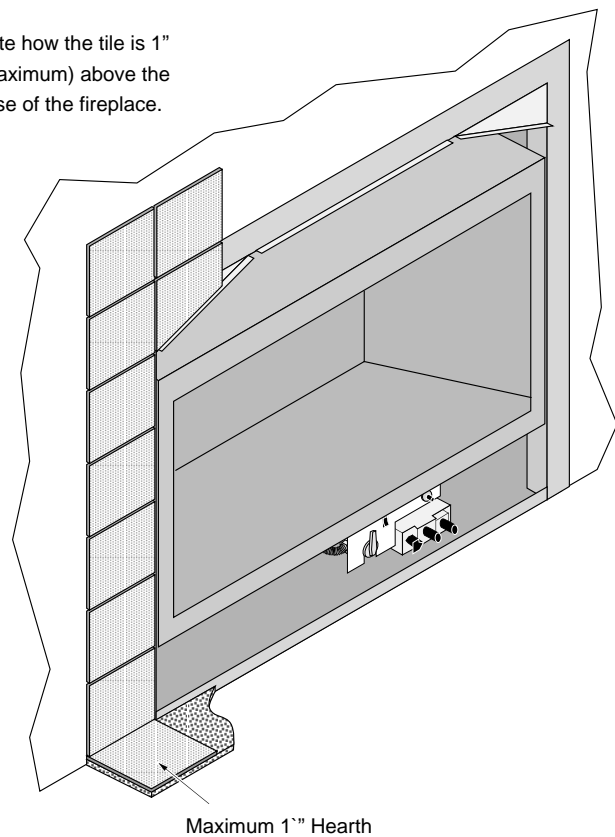
**Installation – 564 SS (continued)**

- 2 The facing and hearth (if applicable) must be installed prior to attaching the face. See the installation manual for complete details.

Raised  
Fireplaces



Floor-Level  
Fireplaces





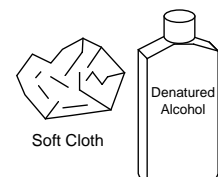
**Installation – 564 SS (continued)**

3 Install the face following the directions below.



**Plated Surfaces**

Use denatured alcohol and a soft cloth to clean plated surfaces. Marks left on the surface may damage the face.

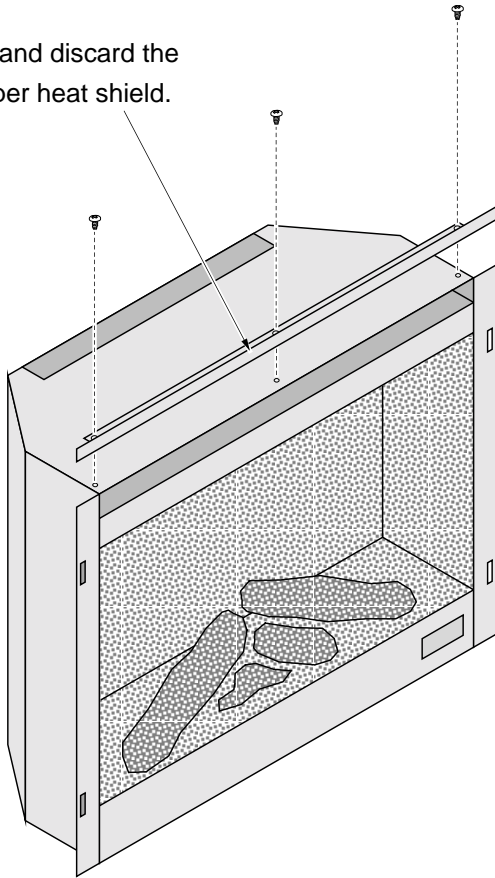




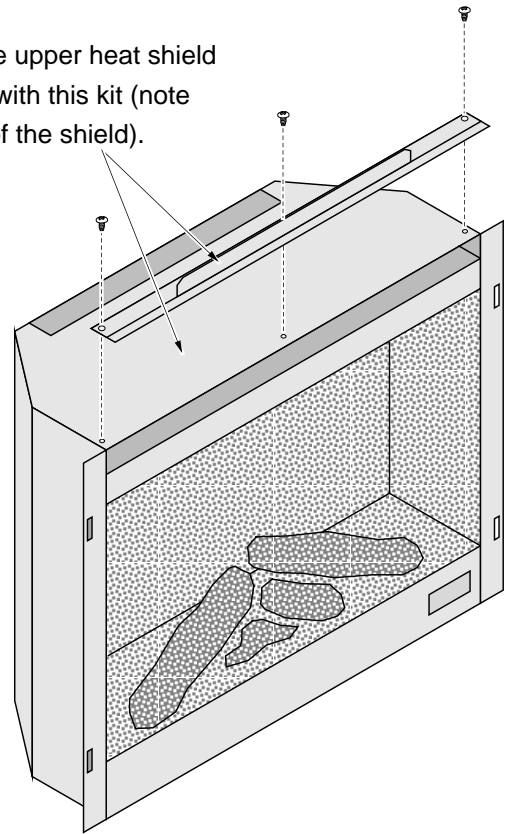
**Installation – 564 Electric**

- 1 Install the upper heat shield onto the 564 E fireplace.

Remove and discard the stock upper heat shield.

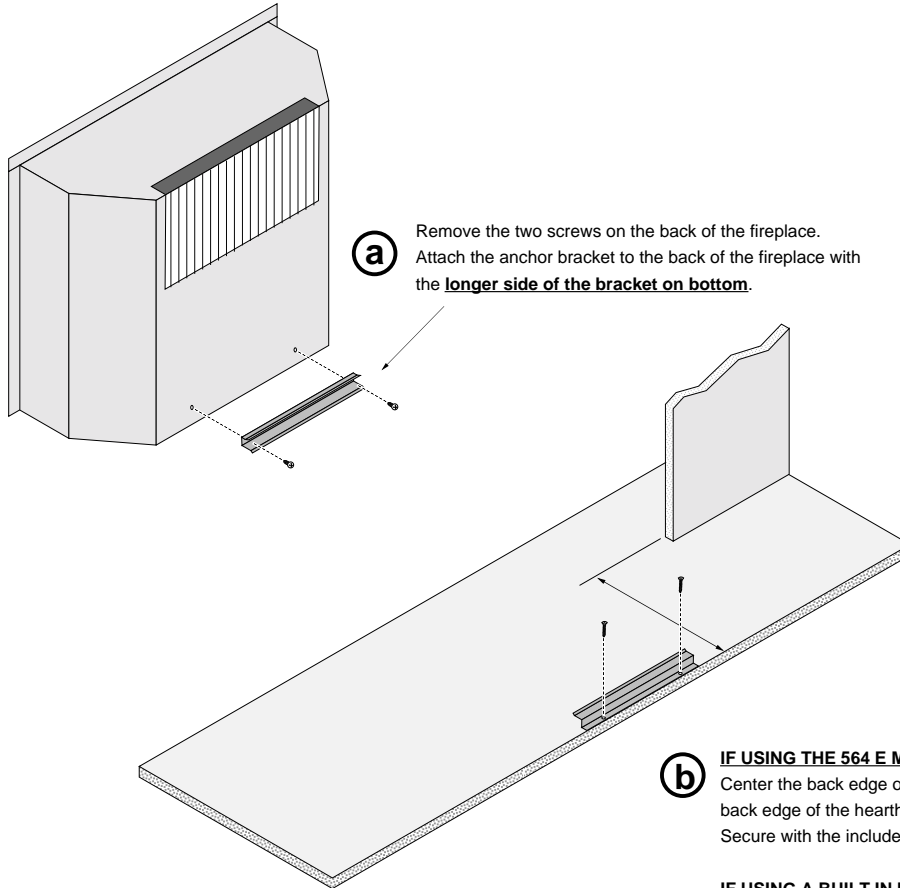


Attach the upper heat shield included with this kit (note position of the shield).



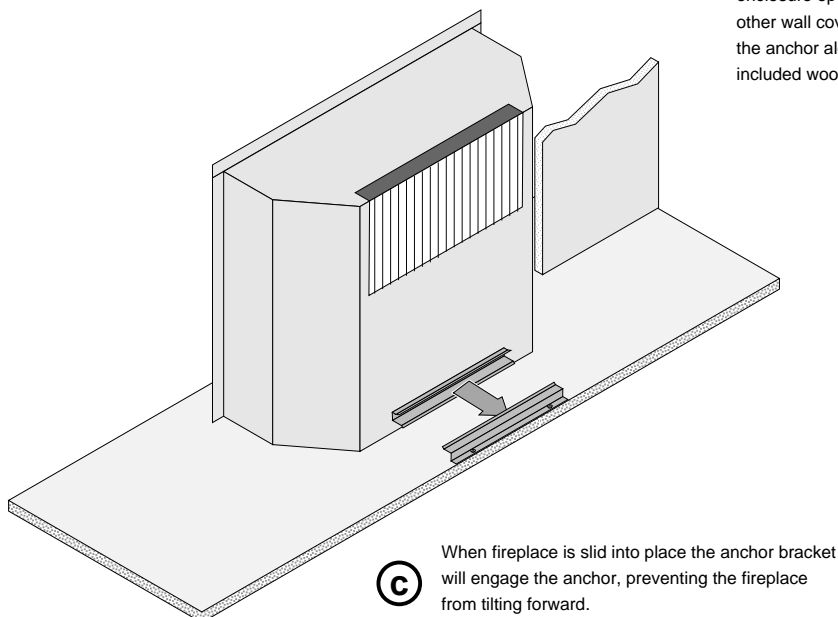


- 2 Pull the fireplace out of the mantel (or enclosure) and attach the anchor and anchor bracket following the directions below.

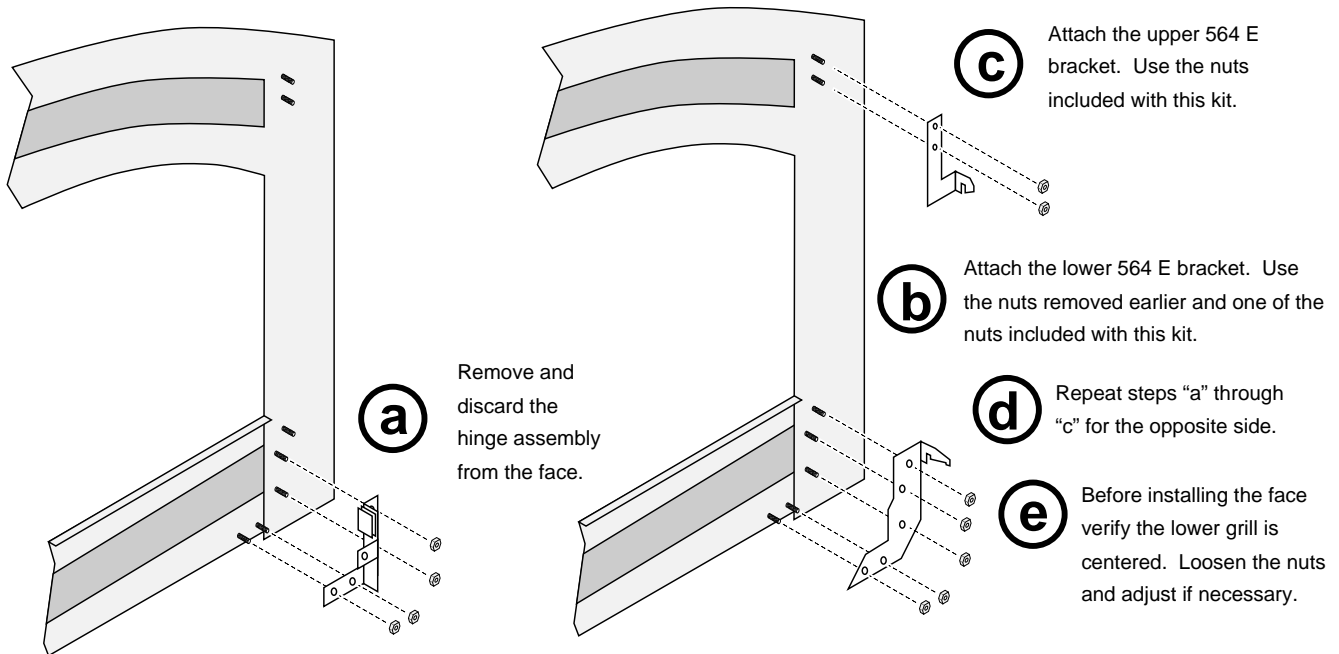


- b** **IF USING THE 564 E MANTEL**  
Center the back edge of the anchor with the back edge of the hearth (mantel enclosure).  
Secure with the included wood screws.

**IF USING A BUILT IN INSTALLATION**  
Mark a line 12" back from the front edge of the enclosure opening (include the drywall, tile or other wall covering). Center the back edge of the anchor along this line and secure with the included wood screws.

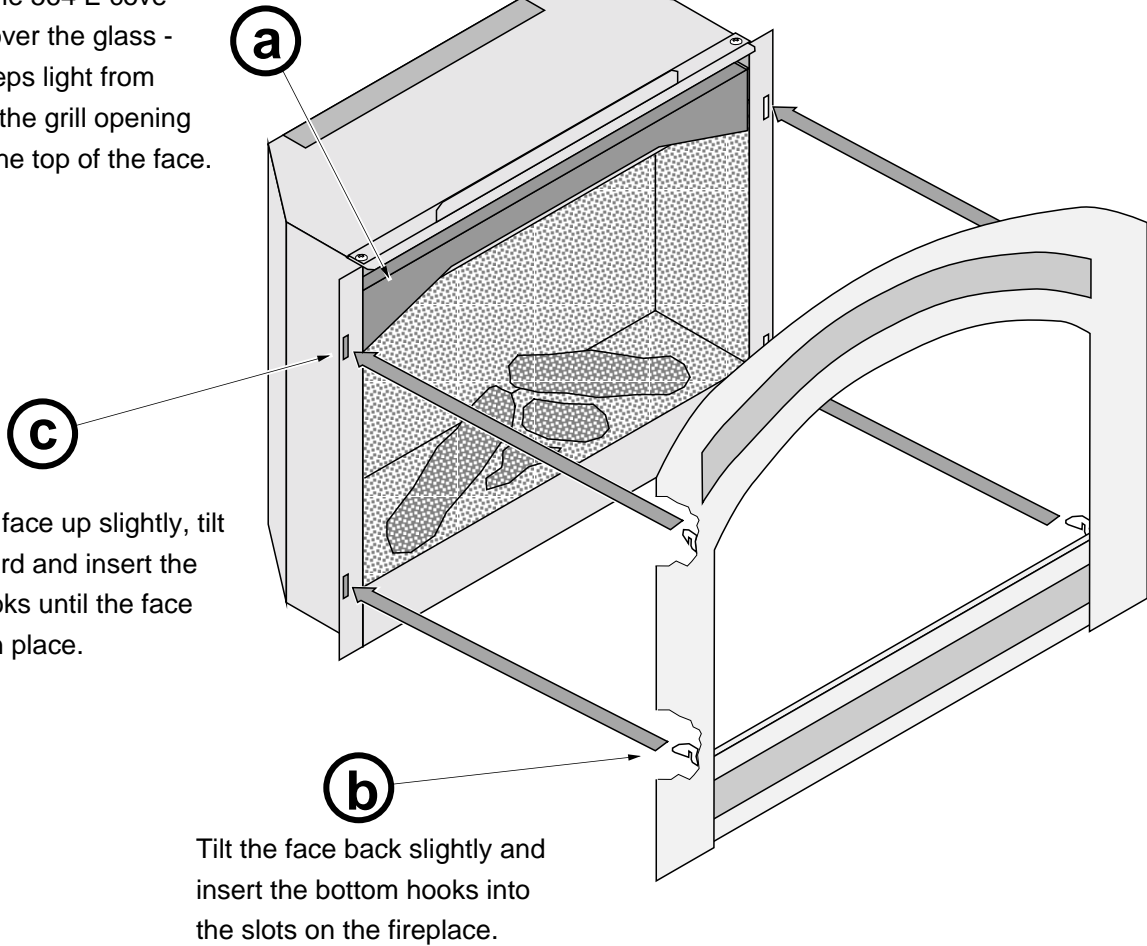


- 3 Place the face, face down, on a soft, non-scratching surface. Install the 564 Electric mounting brackets onto the back of the face.



- 4 Pull the electric fireplace out of the mantel (or built-in location). Attach the cove cover and face following the directions below. Slide the fireplace back into place to complete the installation.

Hang the 564 E cove cover over the glass - this keeps light from exiting the grill opening along the top of the face.



Lift the face up slightly, tilt it forward and insert the top hooks until the face locks in place.

Tilt the face back slightly and insert the bottom hooks into the slots on the fireplace.