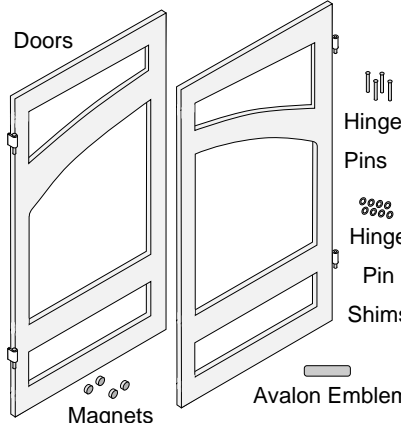
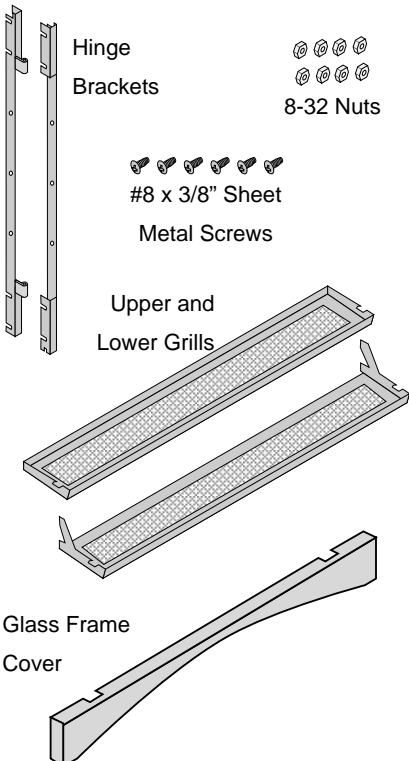
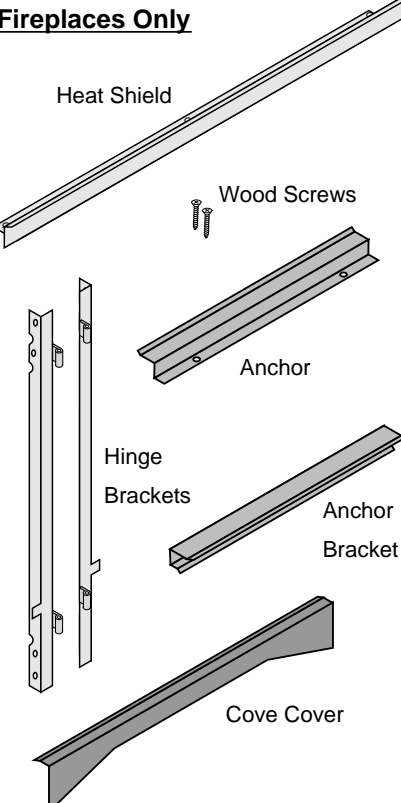

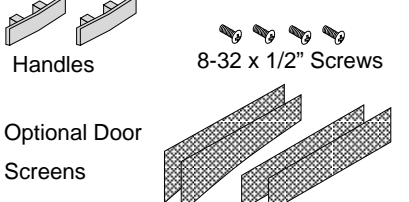


Compatibility:

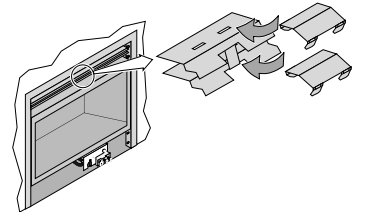
- 564 SS Gas Fireplace
- 564 Electric Fireplace

Packing List:

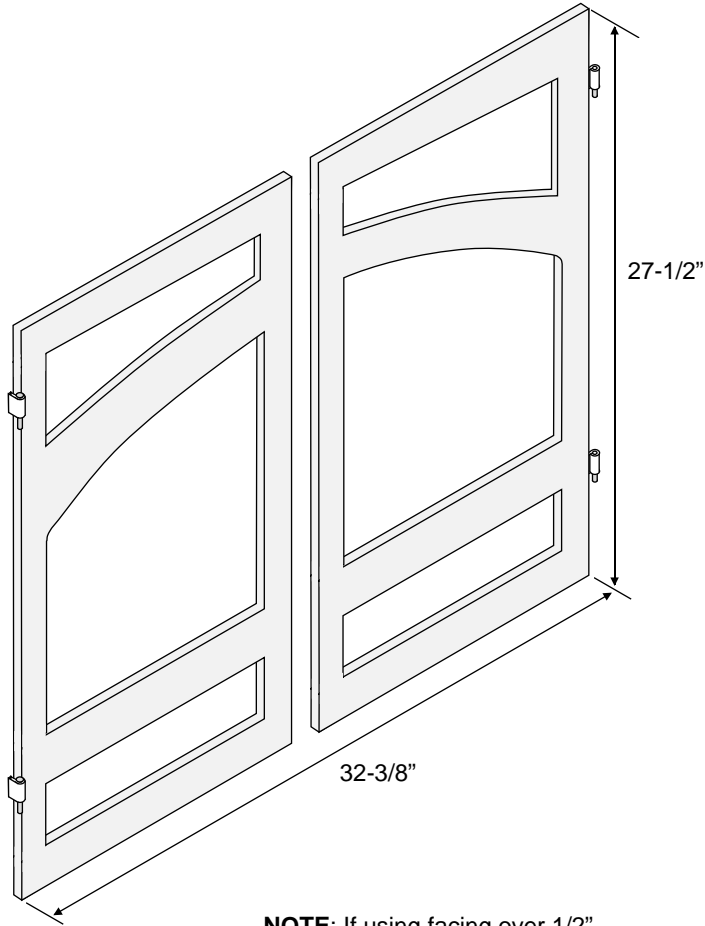
<p>Used on Both Fireplaces</p>  <p>Doors</p> <p>Hinge Pins</p> <p>Hinge Pin Shims</p> <p>Magnets</p> <p>Avalon Emblem</p>	<p>Used on 564 SS Gas Fireplaces Only</p>  <p>Hinge Brackets</p> <p>8-32 Nuts</p> <p>#8 x 3/8" Sheet Metal Screws</p> <p>Upper and Lower Grills</p> <p>Glass Frame Cover</p>	<p>Used on 564 E Electric Fireplaces Only</p>  <p>Heat Shield</p> <p>Wood Screws</p> <p>Anchor</p> <p>Hinge Brackets</p> <p>Anchor Bracket</p> <p>Cove Cover</p>
<p>Included with Tree of Life</p>  <p>Handles</p> <p>8-32 x 1/2" Screws</p> <p>Washers</p>		
<p>Included with Bungalow</p>  <p>Handles</p> <p>8-32 x 1/2" Screws</p> <p>Optional Door Screens</p>		



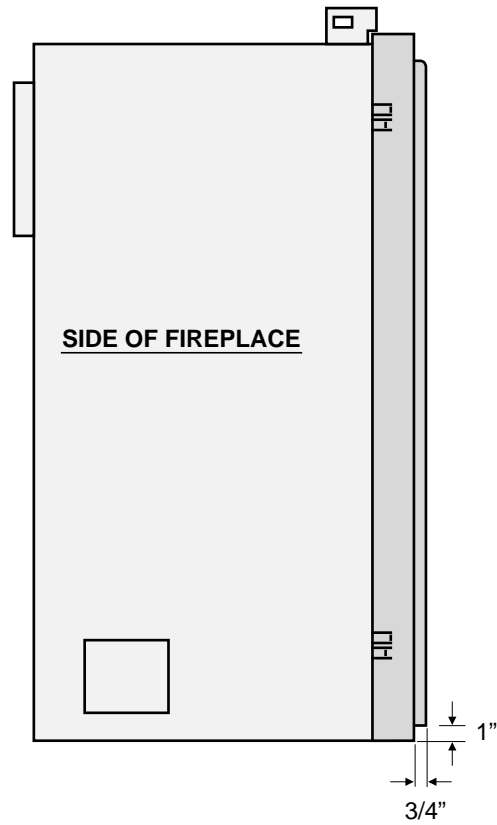
The center deflectors must be in place when using this face to prevent the facing above the fireplace from becoming too hot. If this face is replacing a Grill (96200801), make sure to replace the center deflectors.



Installation Details – 564 SS



NOTE: If using facing over 1/2" thick, the doors will not fully open.



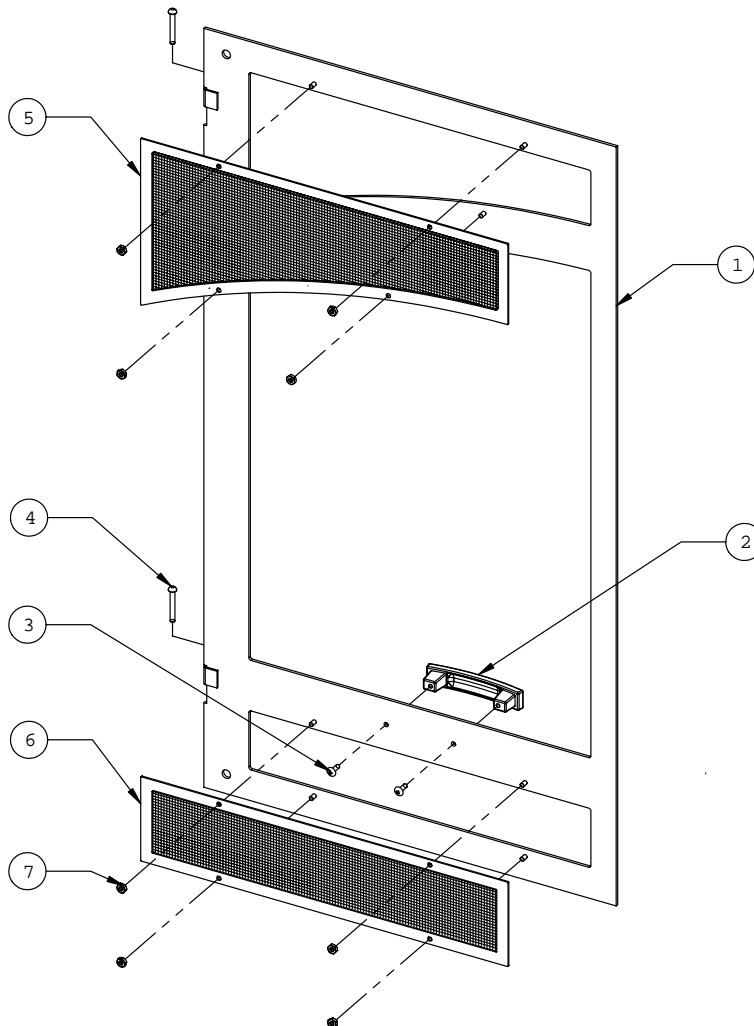
Optional Door Screen Inserts – Bungalow Only

OPTION A - Basket Weave (installed in the doors).

- Place the doors in an upright position. Attach the handle (2) to the door with the included screws (3).
- Slide the hinge pins (4) into place.

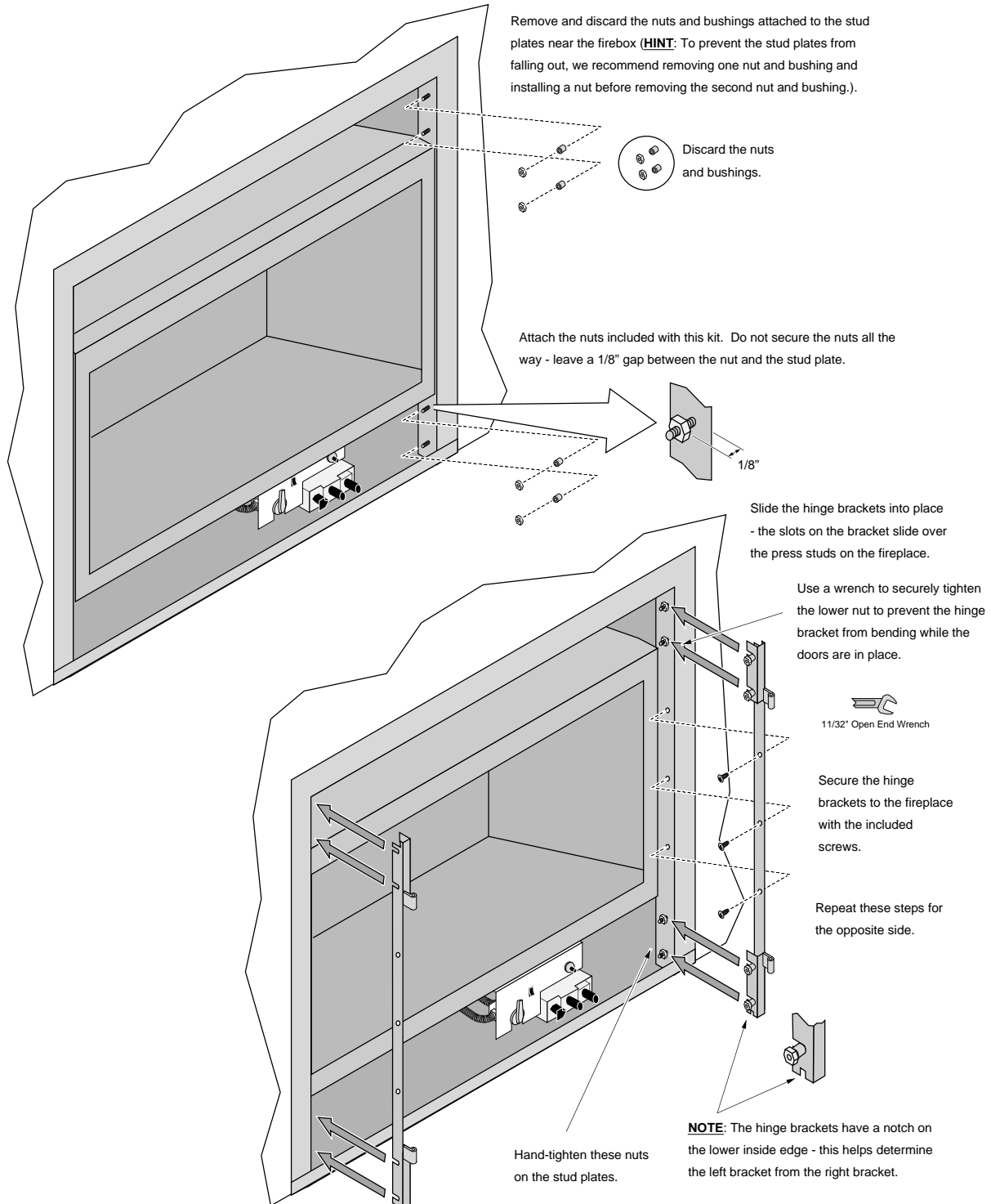
OPTION B – Mesh Door Screen (shipped separately with this kit).

- Place the doors (1) face down on a suitable work surface).
- Remove the nuts (7) holding the upper (5) and lower (6) inserts in place. Remove the inserts and install the mesh screens. Note: the screens have a sheet-metal frame spot-welded to them - make sure the sheet-metal faces outward – this protects the screen and covers the sharp edges. Secure the screens with the nuts removed earlier. Do not over-tighten
- Place the doors in an upright position. Attach the handle (2) to the door with the included screws (3).
- Slide the hinge pins (4) into place.



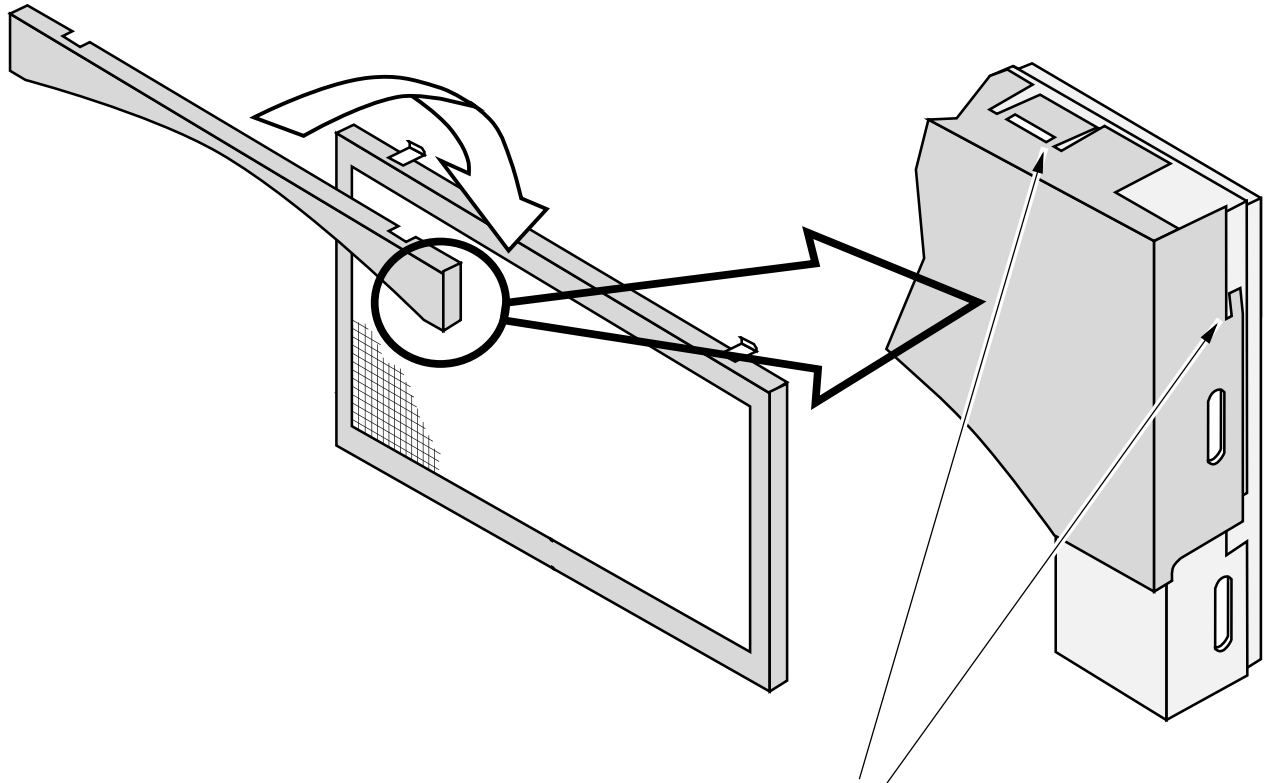
Installation – 564 SS

- 1 Remove the glass frame from the fireplace (see the owner's manual for details).
- 2 Install the hinge brackets onto the fireplace following the directions below.



- 3 Install the glass frame cover following the directions below.

Place the cover over the top of the door frame.



Push these tabs inwards
to lock the cover in place.

- 4 Attach the glass frame to the fireplace.

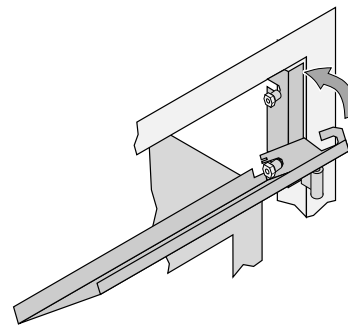
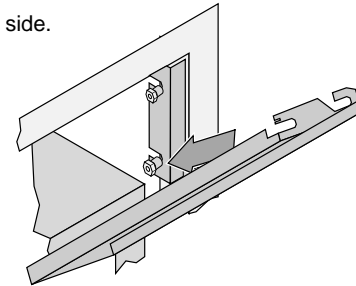
5 Install the upper and lower grills (mesh screens) following the directions below.

NOTE: The upper and lower grills are different. The lower grill has end-stops on either side.

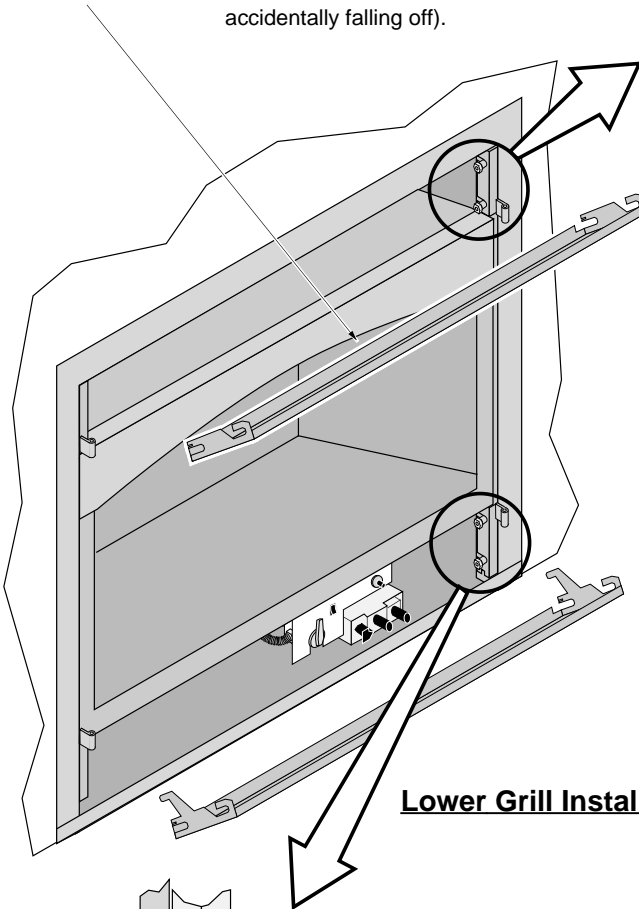
Upper Grill

Installation

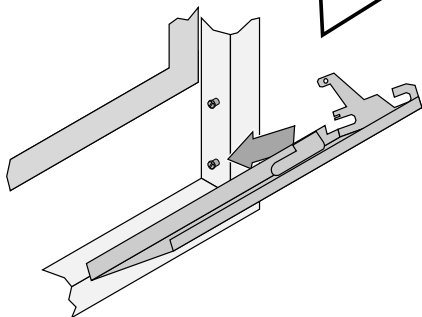
Hold the grill at an angle and insert the lower slot over the bushing on the hinge bracket (both sides). You may need press on the grill to get the tab over the bushing (this prevents the grill from accidentally falling off).



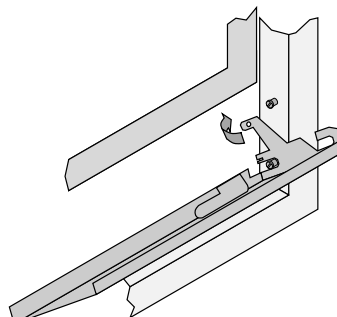
Swing the grill upwards to engage the upper slot. You will need to lift the grill slightly to get it over the bushing. Once in place the grill is held in place by gravity.



Lower Grill Installation

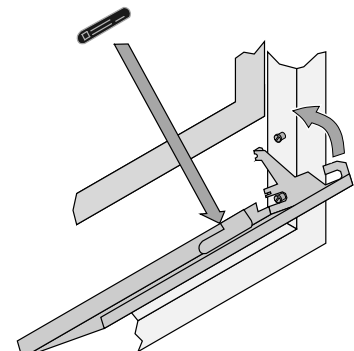


Hold the grill at an angle and insert the lower slot over the bushing on the hinge bracket (both sides). You may need to press on the grill to get the tab over the bushing (this prevents the grill from accidentally falling off).



Bend the end-stop tab over on both sides. This allows the grill to swing forward without disengaging.

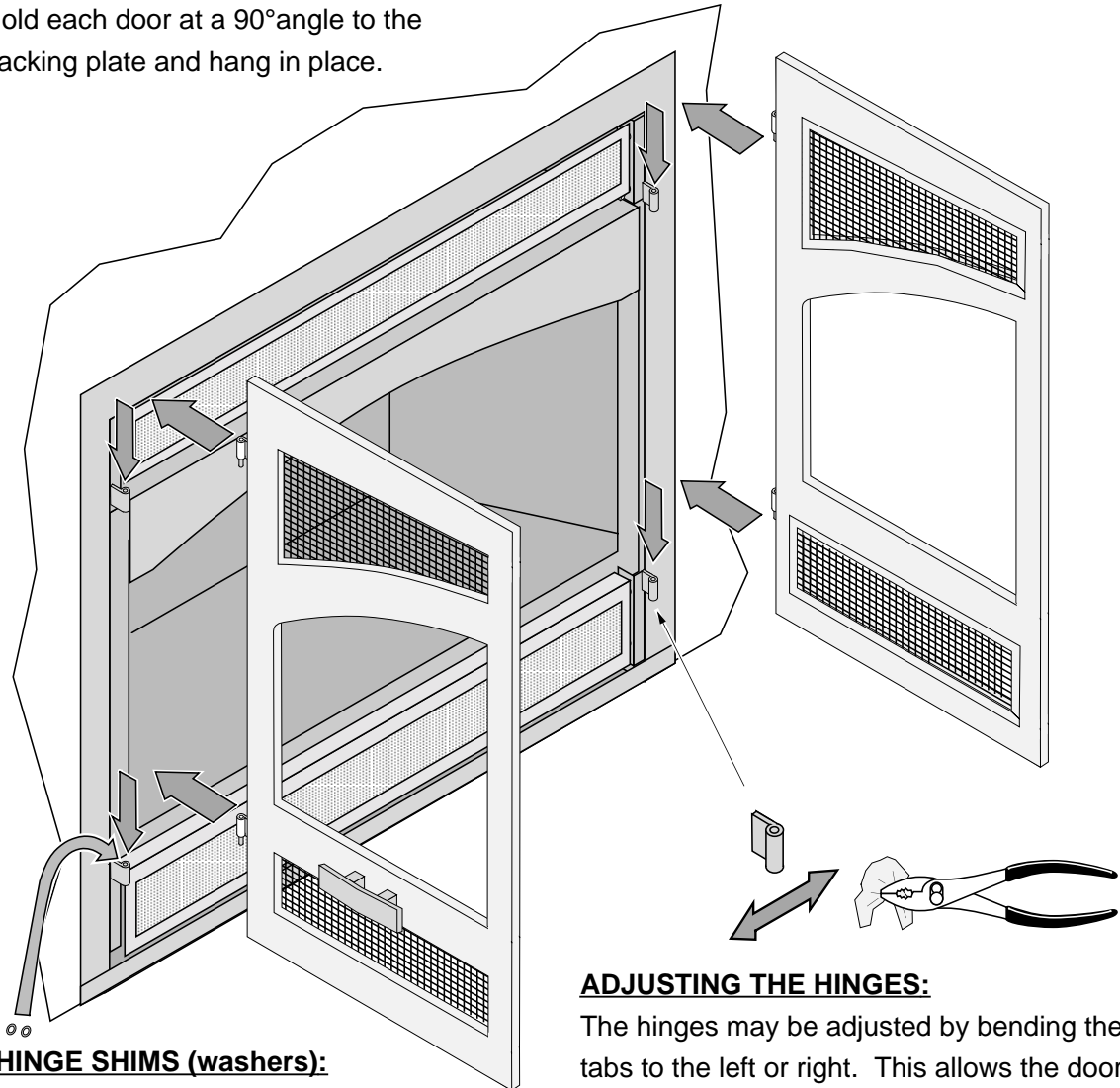
Place the Avalon label onto this plate before shutting the grill.



Swing the grill upwards to engage the upper slot. You will need to lift the grill slightly to get it over the bushing. Once in place the grill is held in place by gravity.

- 6 Hold the doors at a 90° angle to the fireplace and install onto the hinge brackets (see the illustration below). Swing the doors closed - NOTE: the left door closes behind the right door.

Hold each door at a 90° angle to the backing plate and hang in place.



USING THE HINGE SHIMS (washers):

Eight shims are included with the doors to provide proper door alignment. If the doors drag on the hearth, place one or two shims between the door and face hinge.

ADJUSTING THE HINGES:

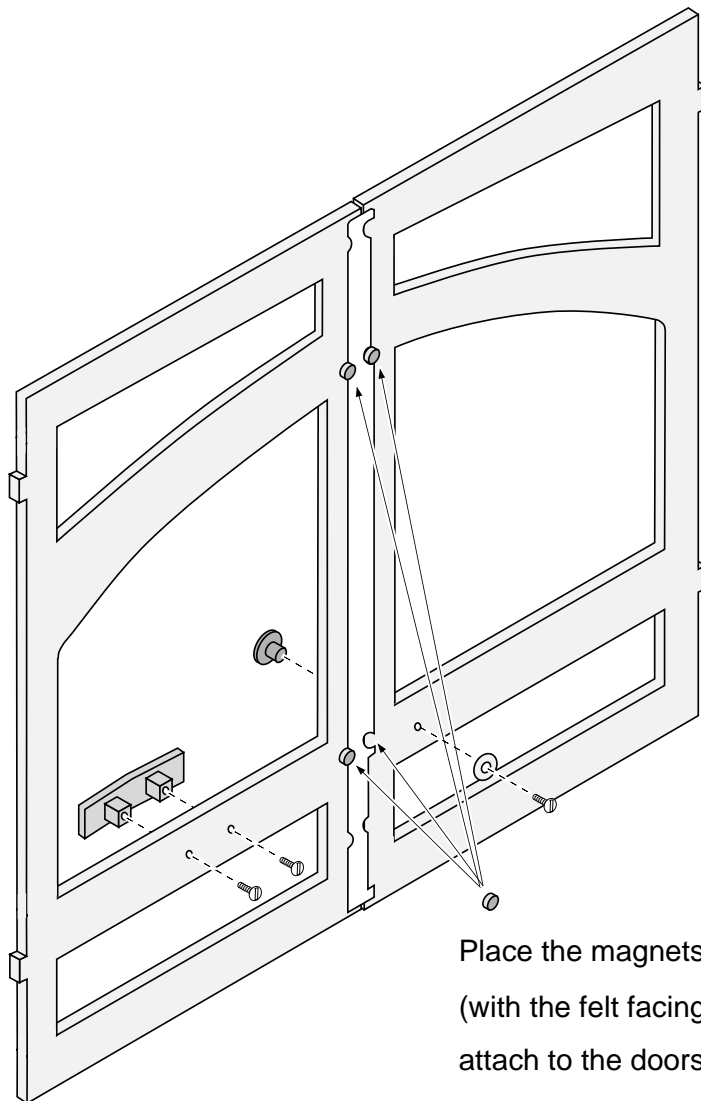
The hinges may be adjusted by bending the tabs to the left or right. This allows the doors to be aligned left or right, top to bottom.

NOTE: place a rag over the hinge posts before grasping the hinge posts with pliers to prevent scratching.

NOTE FOR INSTALLATIONS WITH THICK FACINGS (e.g.: BRICK, ROCK): The hinge pins can be slid into place after the doors are aligned over the hinge brackets. This eliminates the need to "drop" the doors into place.

- 7 Magnets are shipped attached to one of the doors. Position the magnets on the back side of both doors as shown below. The magnets have felt attached to one side – make sure the felt side contacts the fireplace (this keeps the magnets adhered to the door, not the fireplace). Attach the handles as shown below.

NOTE: The magnets are shipped attached to the doors. These powerful magnets may require pliers to properly position. Take care with the magnets to prevent damage and keep them away from children.

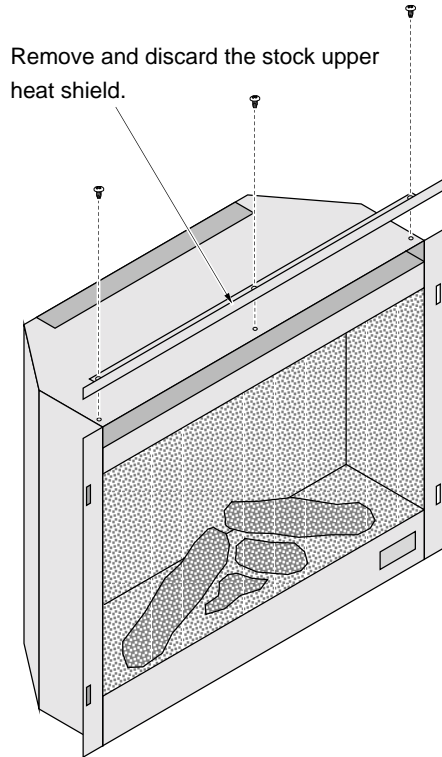


Attach the door handles as shown to the left. The tree of life handles require a washer and screw, the bungalow requires two screws.

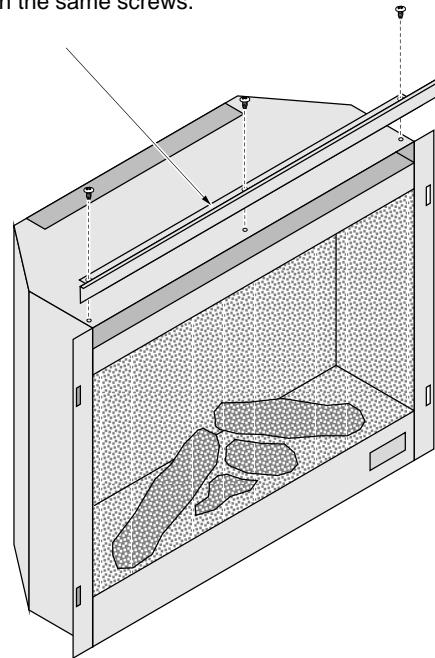
Place the magnets in these locations (with the felt facing up). These magnets attach to the doors and help keep the doors shut when in use.

Installation – 564 Electric

1 Install the upper heat shield onto the 564 E fireplace.

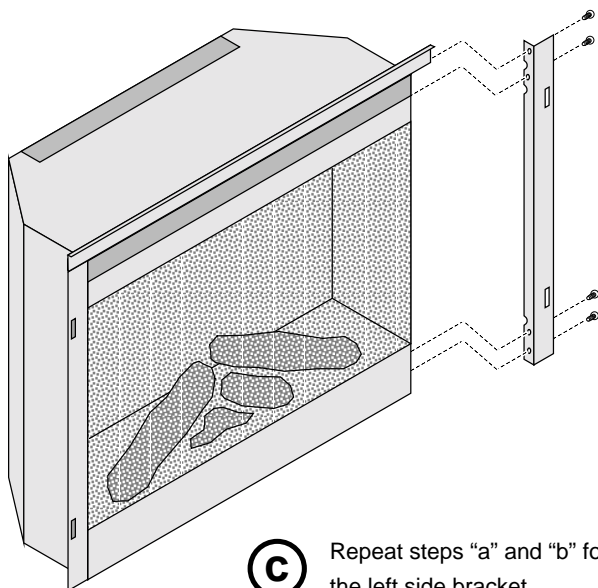


Place the upper heat shield included with this kit on top of the fireplace (note position) and secure with the same screws.

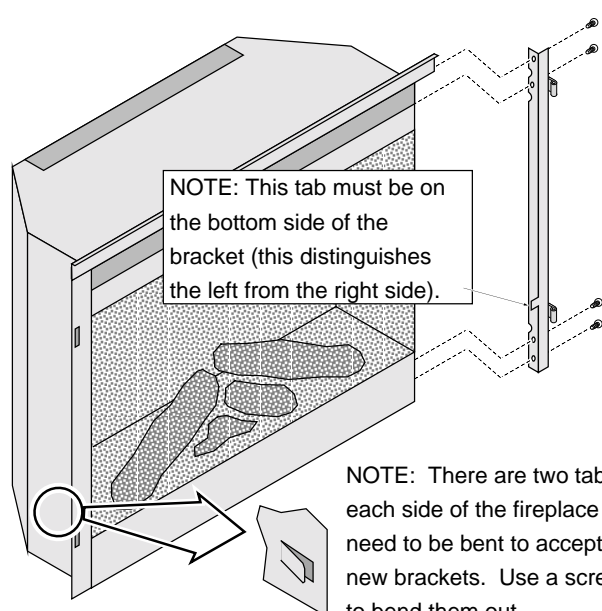


2 Install the hinge brackets following the directions below.

a Remove the right side bracket from the fireplace (right side only - these brackets hold the glass in place).



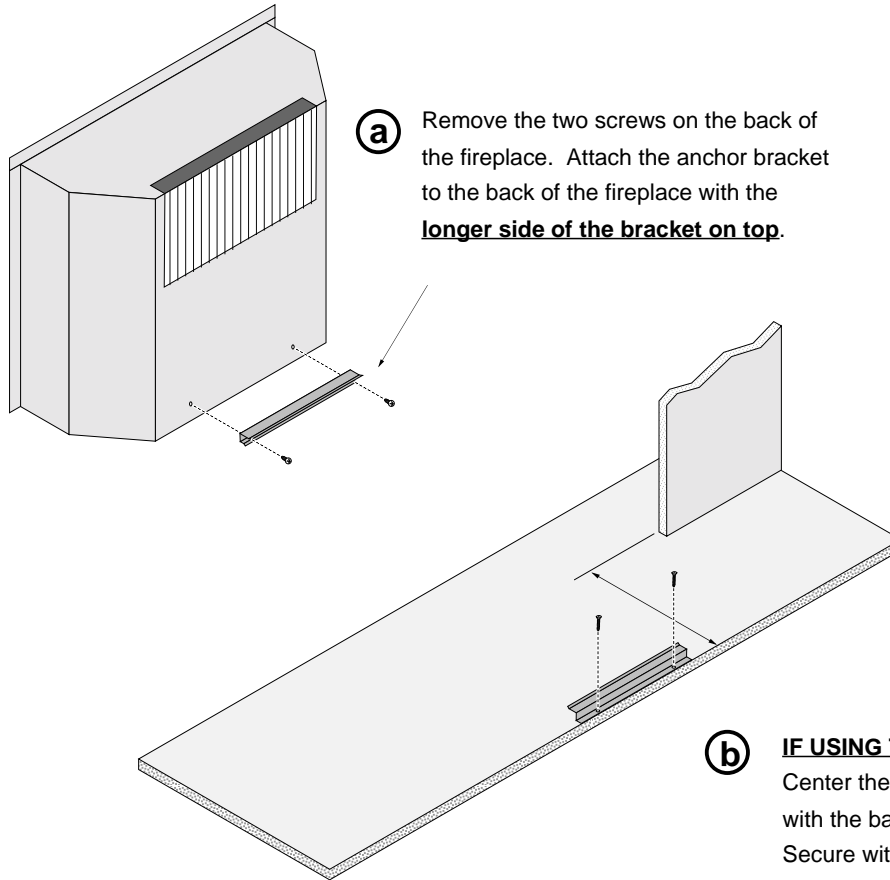
b Use the screws removed in step "a" to secure the hinge brackets to the fireplace.



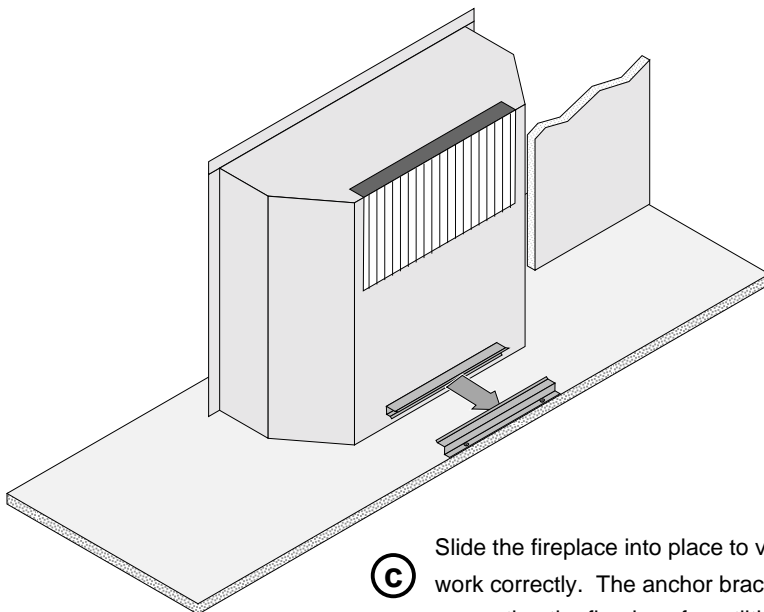
c Repeat steps "a" and "b" for the left side bracket.

NOTE: There are two tabs on each side of the fireplace that need to be bent to accept the new brackets. Use a screwdriver to bend them out.

- 3 Pull the fireplace out of the mantel (or enclosure) and attach the anchor and anchor bracket following the directions below.



- (a)** Remove the two screws on the back of the fireplace. Attach the anchor bracket to the back of the fireplace with the **longer side of the bracket on top**.



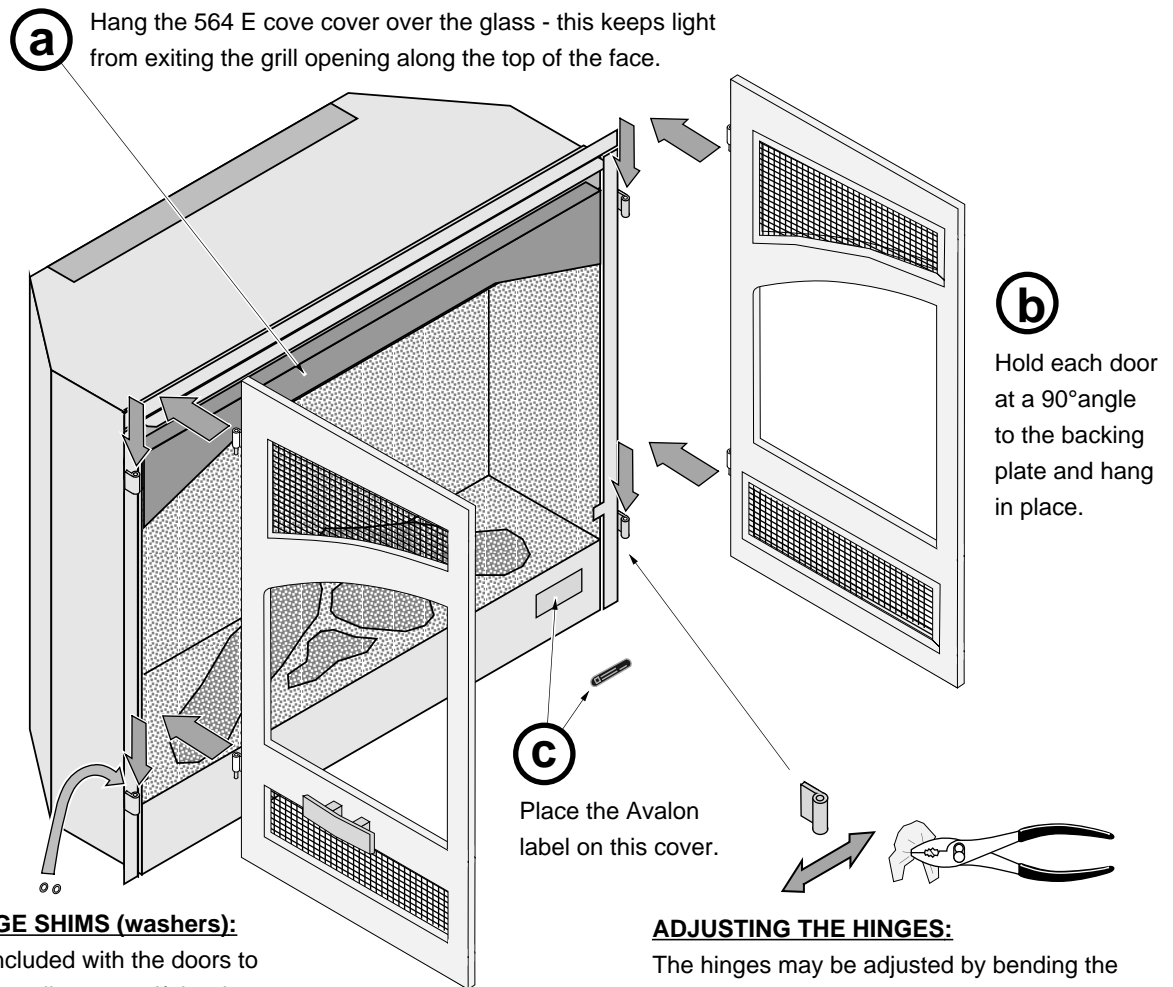
- (b)** **IF USING THE 564 E MANTEL**
 Center the back edge of the anchor with the back edge of the hearth. Secure with the included wood screws.

IF USING A BUILT IN INSTALLATION

Mark a line 12" back from the enclosure opening (include the drywall, tile or other wall covering). Center the back edge of the anchor along this line and secure with the included wood screws.

- (c)** Slide the fireplace into place to verify the anchor and anchor bracket work correctly. The anchor bracket should engage the anchor, preventing the fireplace from tilting forward when in place.

- 4 Pull the electric fireplace out of the mantel (or built-in location). Attach the cove cover and doors following the directions below. Slide the fireplace back into place, making sure the anchor engages the bracket, preventing the fireplace from tilting forward when the doors are opened.



USING THE HINGE SHIMS (washers):

Eight shims are included with the doors to provide proper door alignment. If the doors drag on the hearth, place one or two shims between the door and face hinge.

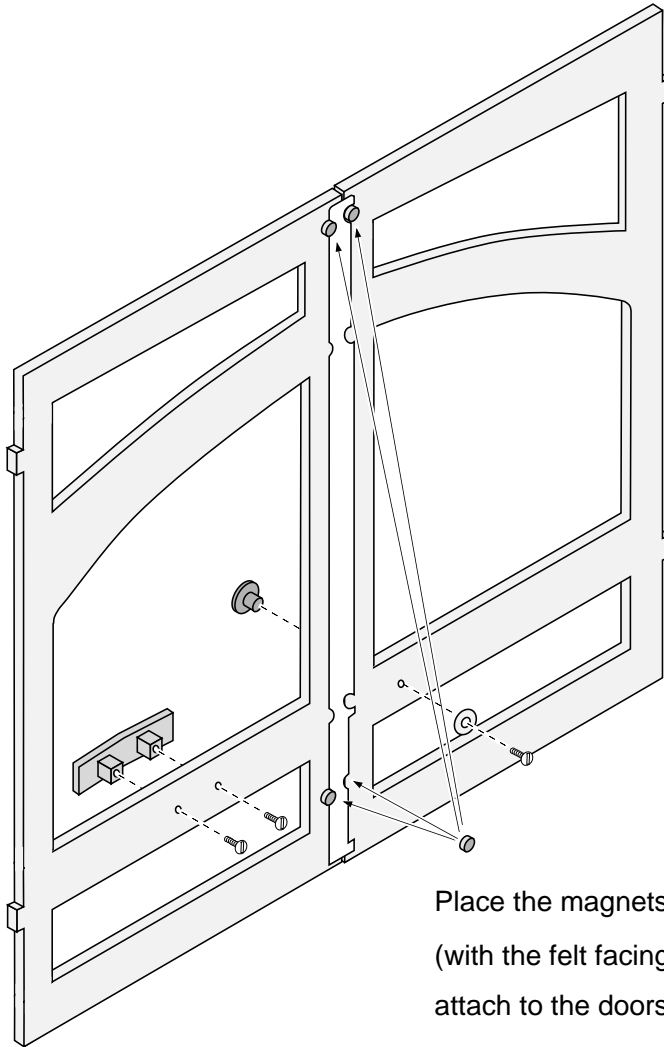
ADJUSTING THE HINGES:

The hinges may be adjusted by bending the tabs to the left or right. This allows the doors to be aligned left or right, top to bottom.

NOTE: place a rag over the hinge posts before grasping the hinge posts with pliers to prevent scratching.

- 5 Magnets are shipped attached to one of the doors. Position the magnets on the back side of both doors as shown below. The magnets have felt attached to one side – make sure the felt side contacts the fireplace (this keeps the magnets adhered to the door, not the fireplace). Attach the handles as shown below.

NOTE: The magnets are shipped attached to the doors. These powerful magnets may require pliers to properly position. Take care with the magnets to prevent damage and keep them away from children.



Attach the door handles as shown to the left. The tree of life handles require a washer and screw, the bungalow requires two screws.

Place the magnets in these locations (with the felt facing up). These magnets attach to the doors and help keep the doors shut when in use.