

**Compatibility:**

- 564 SS Fireplace
- 564 Electric Fireplace

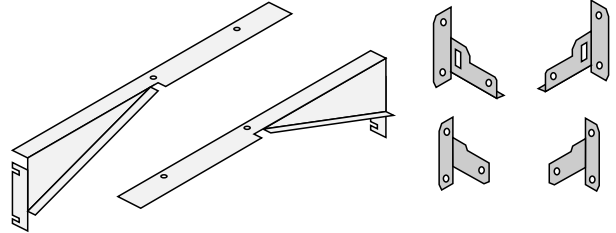
**Packing List:**

- Face
- (2) 564 SS Top Brackets (w screws)
- 564 SS Glass Frame Cover
- (2) 10-24 1-1/2" Screws (564 SS only)
- 564 E Top and Bottom Brackets
- 564 E Upper Heat Shield
- 564 E Cove Cover
- (6) 8-32 Nuts

**564 SS GAS FIREPLACES ONLY:**



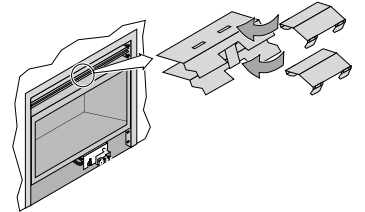
**The FPX Face Upgrade Kit (98500683) must be installed prior to installing the facing material and face.**



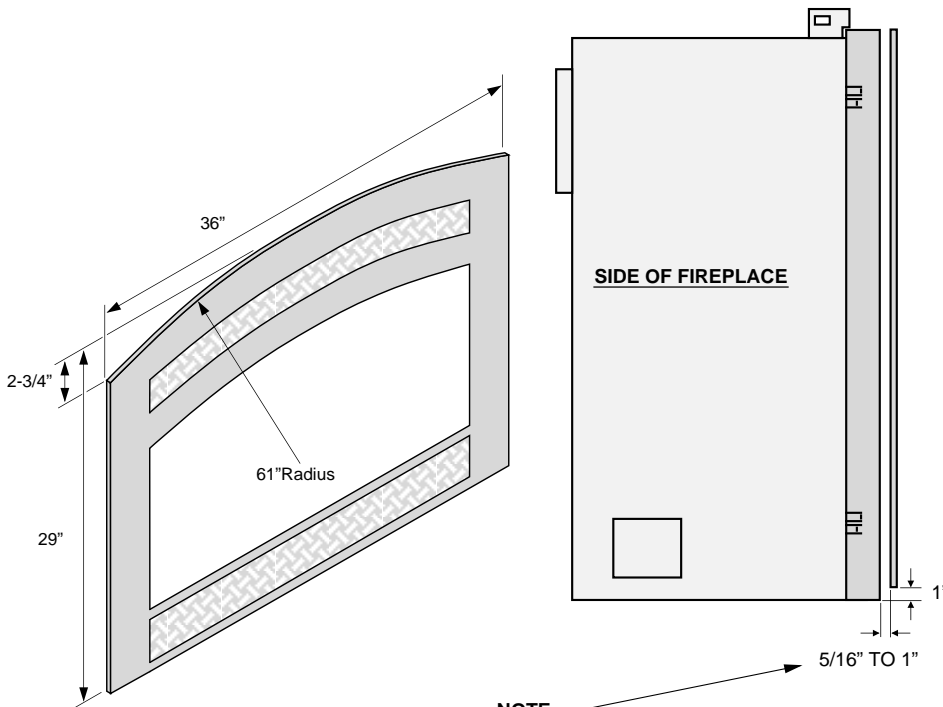
**564 SS GAS FIREPLACES ONLY:**



**The center deflectors must be in place when using this face to prevent the facing above the fireplace from becoming too hot. If this face is replacing a Lopi Grill (96200801), make sure to replace the center deflectors.**



**Installation Details – 564 SS**

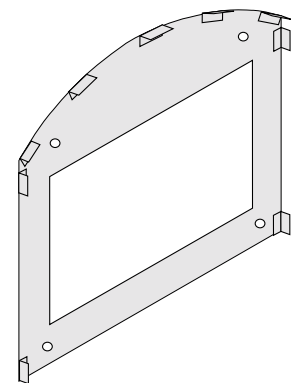


**NOTE:**

This face has an adjustable bracket that allows for different facing depths to be tucked under the face.

**NOTE FOR THICK FACING (BRICK, ROCK, ETC.):**

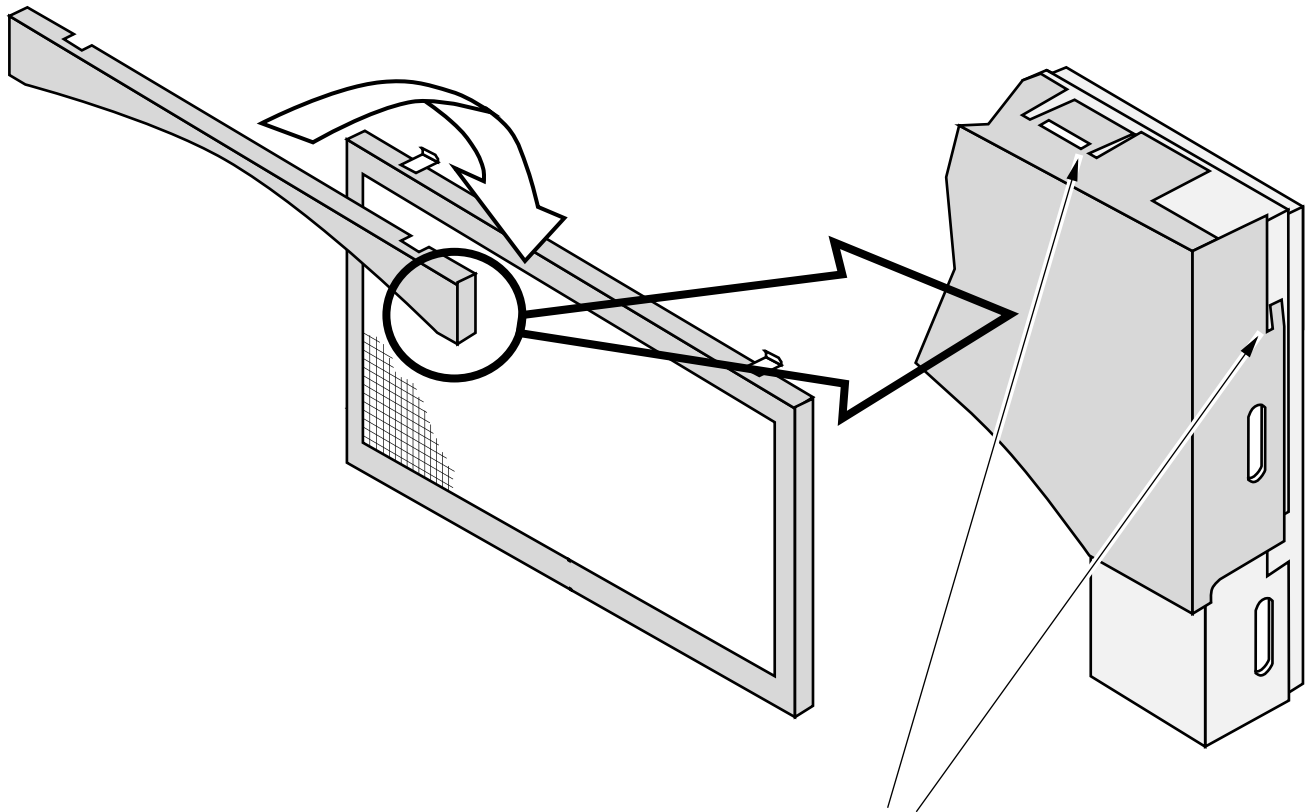
The Fireplace Xtrodinair 564 Set-Up Face is recommended for masonry installation (98500674). The set-up face helps locate and support the masonry during installation.



## **Installation – 564 SS**

- 1 Remove the glass frame (see the owner's manual for details). Install the glass frame cover following the directions below. Replace the glass frame.

Place the cover over the top of the door frame.



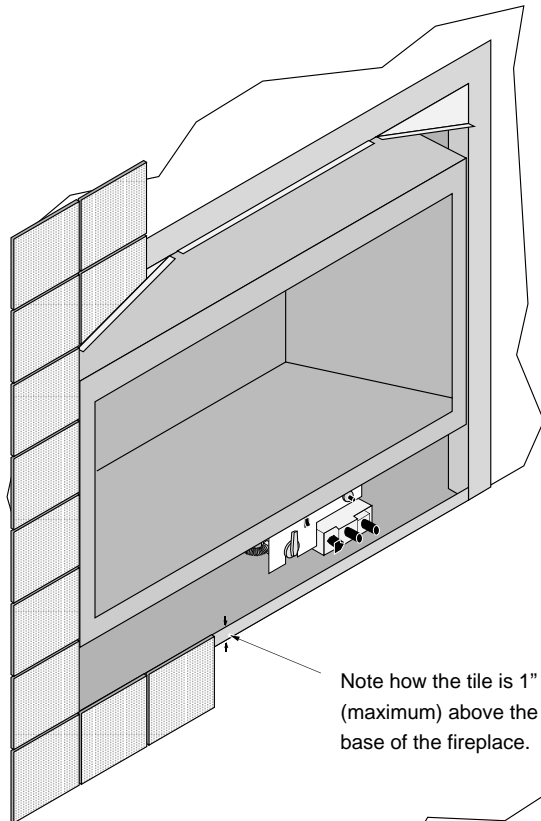
Push these tabs inwards  
to lock the cover in place.



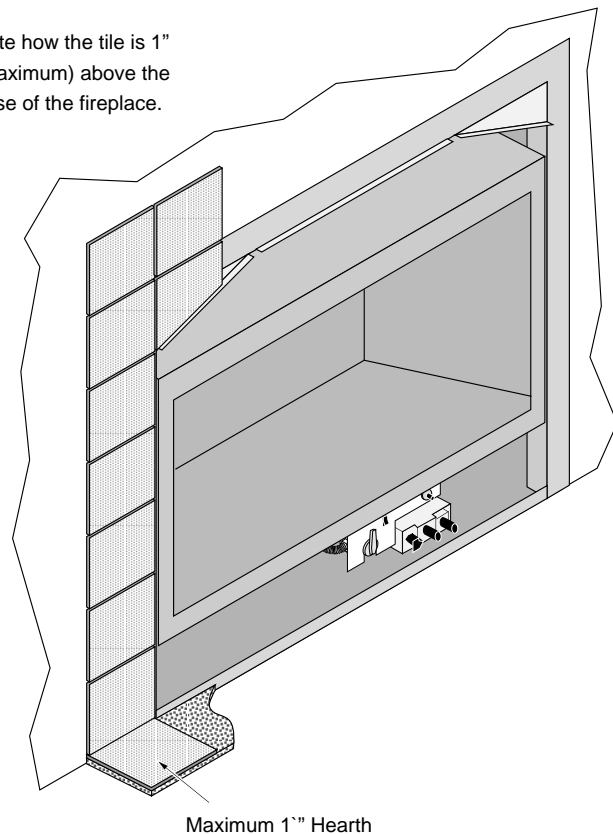
## **Installation – 564 SS (continued)**

- The facing and hearth (if applicable) must be installed prior to attaching the face. See the installation manual for complete details.

Raised  
Fireplaces

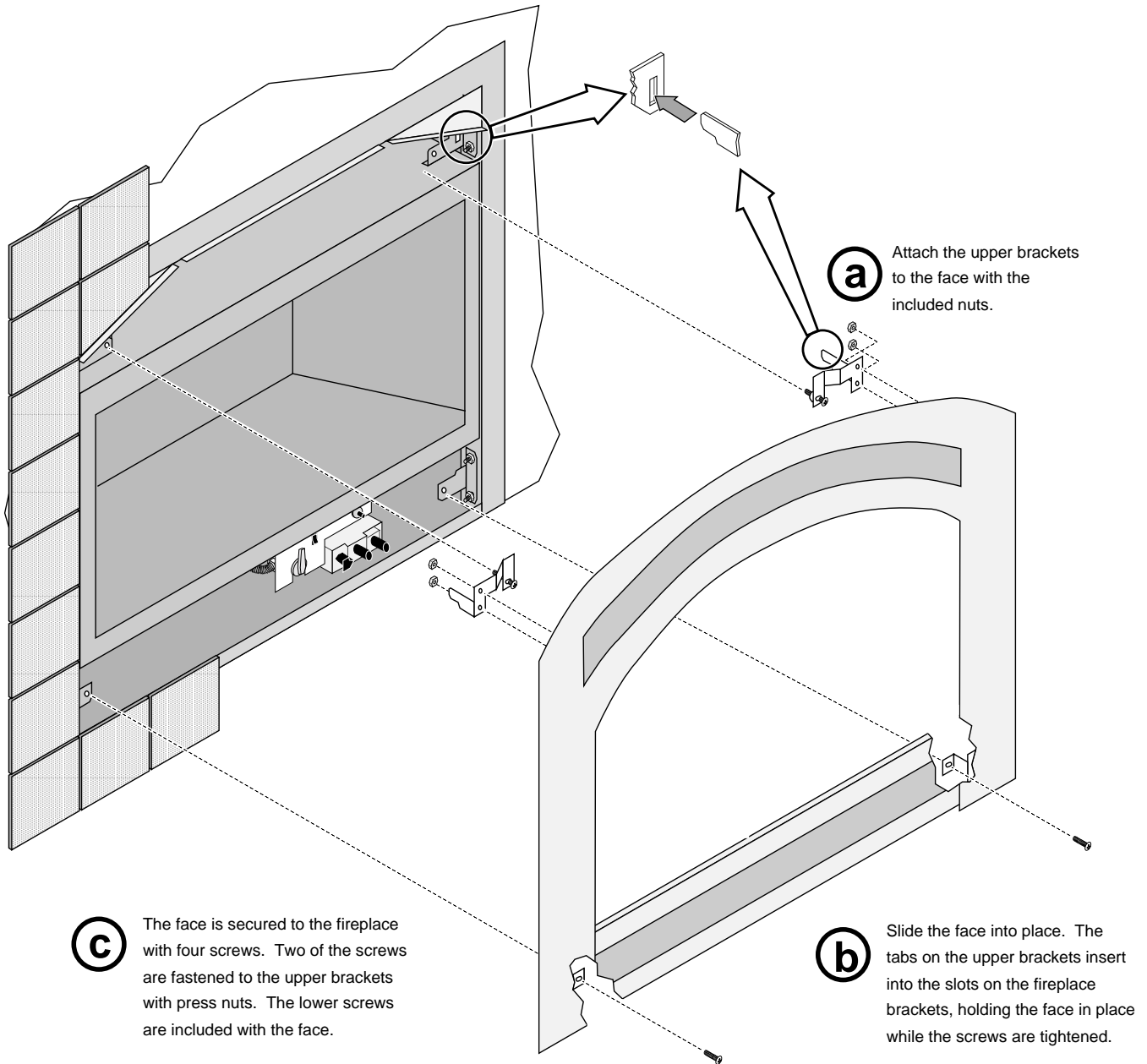


Floor-Level  
Fireplaces



**Installation – 564 SS (continued)**

3 Install the face following the directions below.



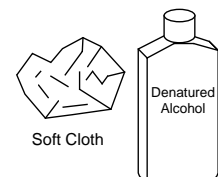
**a** Attach the upper brackets to the face with the included nuts.

**b** Slide the face into place. The tabs on the upper brackets insert into the slots on the fireplace brackets, holding the face in place while the screws are tightened.

**c** The face is secured to the fireplace with four screws. Two of the screws are fastened to the upper brackets with press nuts. The lower screws are included with the face.

**Plated Surfaces**

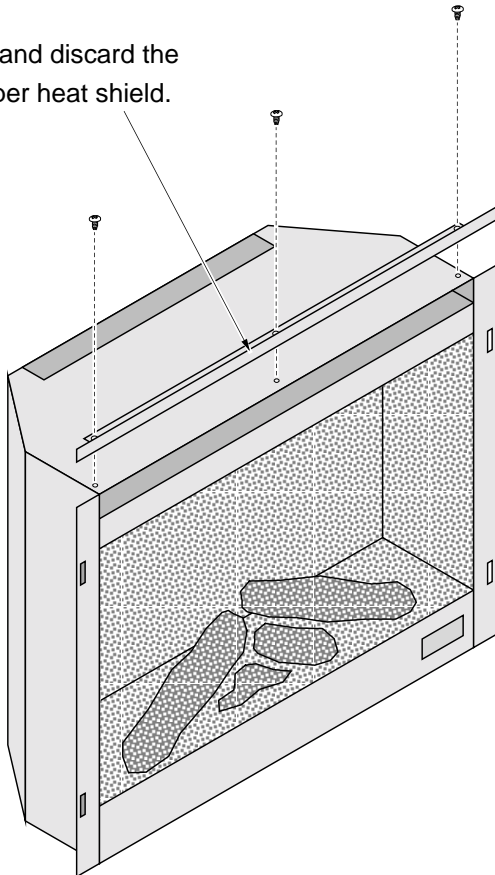
Use denatured alcohol and a soft cloth to clean plated surfaces. Marks left on the surface may damage the face.



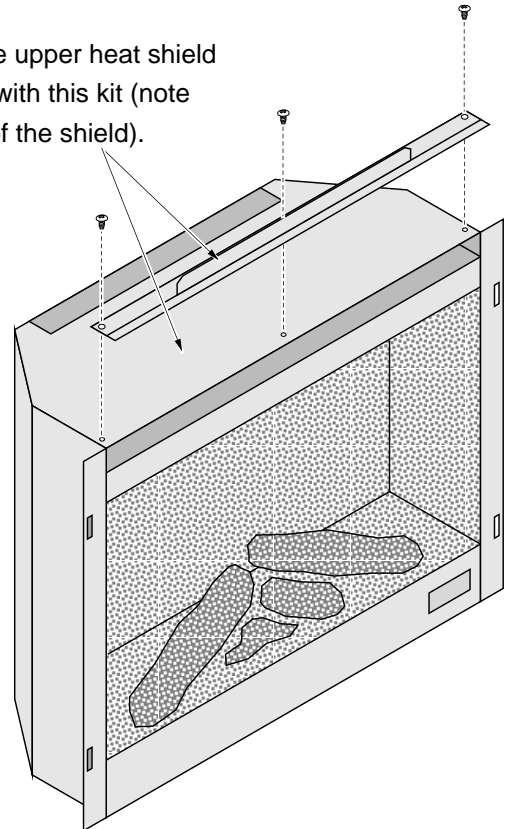
## Installation – 564 Electric

- 1 Install the upper heat shield onto the 564 E fireplace.

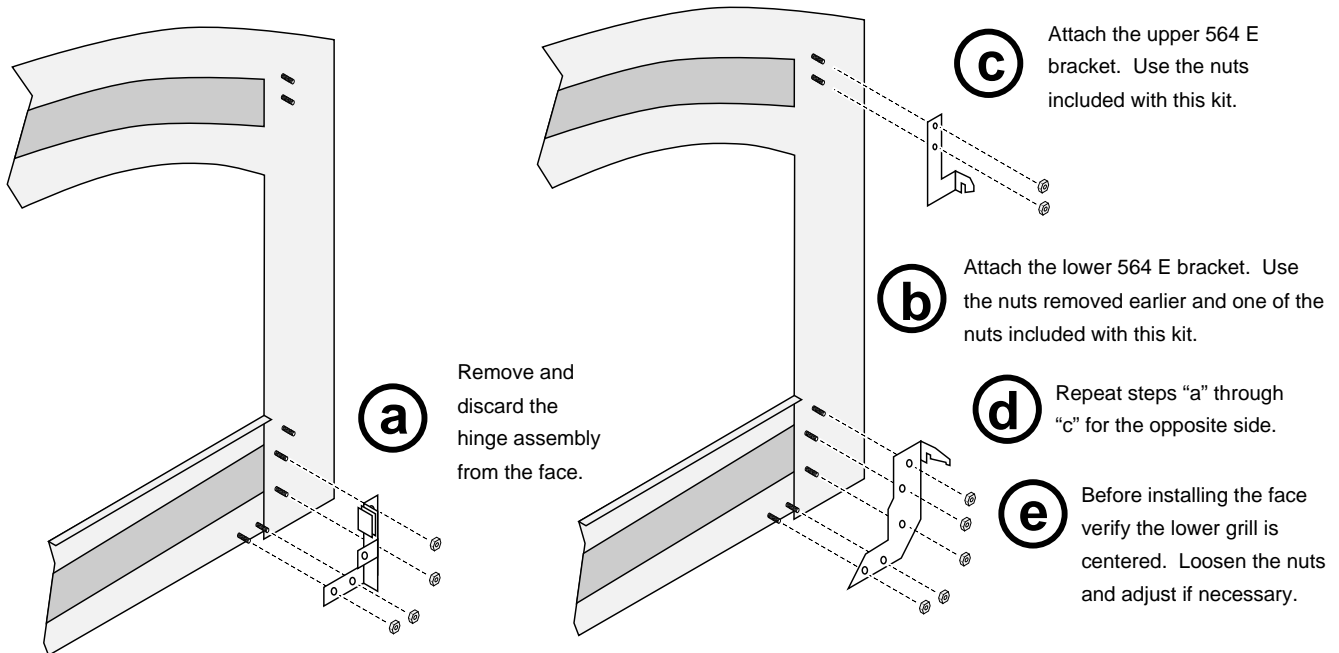
Remove and discard the stock upper heat shield.



Attach the upper heat shield included with this kit (note position of the shield).



- 2 Place the face, face down, on a soft, non-scratching surface. Install the 564 Electric mounting brackets onto the back of the face.



- 3 Pull the electric fireplace out of the mantel (or built-in location). Attach the cove covers and face following the directions below. Slide the fireplace back into place to complete the installation.

Hang the 564 E cove cover over the glass - this keeps light from exiting the grill opening along the top of the face.

