

Compatibility:

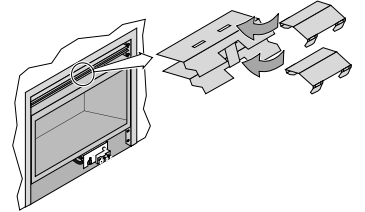
- 564 SS Fireplace
- 564 Electric Fireplace

Packing List:

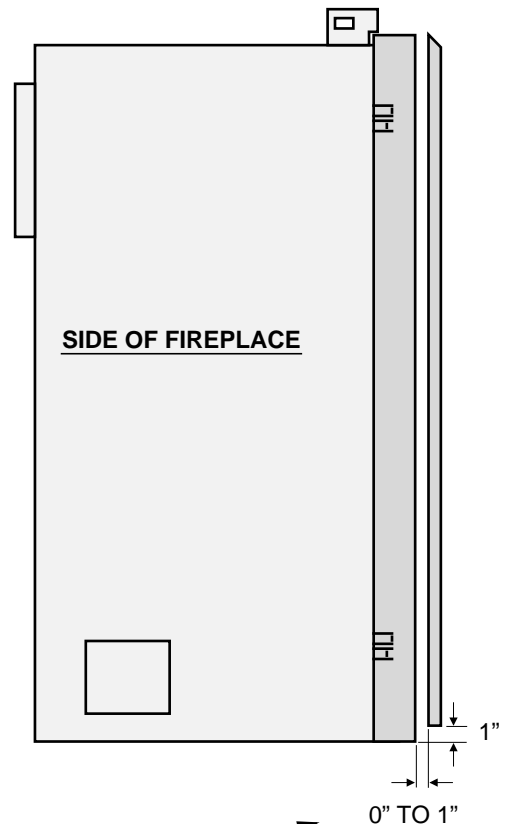
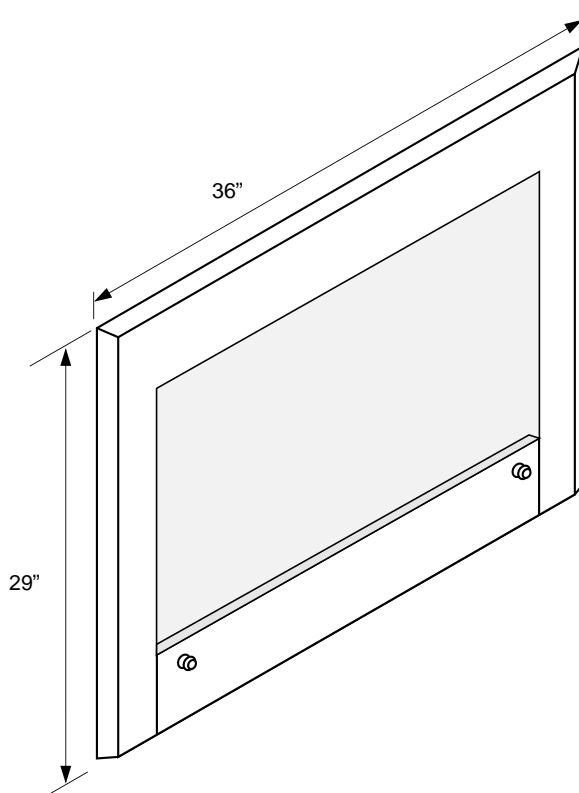
- Face
- (2) 564 SS Top Brackets (w screws)
- (2) 564 SS Upper Mounting Brackets
- (2) 564 SS Lower Mounting Brackets
- (2) 10-24 1-1/2" Screws (564 SS only)
- 564 E Top and Bottom Brackets
- 564 E Top and Bottom Shims
- 564 E Upper Heat Shield
- (14) 8-32 Nuts



The center deflectors must be in place when using this face to prevent the facing above the fireplace from becoming too hot. If this face is replacing a Lopi Grill (96200801), make sure to replace the center deflectors.



Installation Details – 564 SS

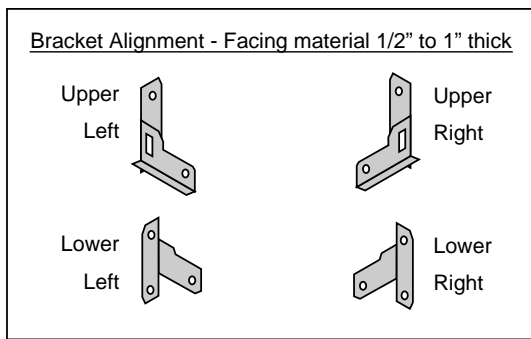
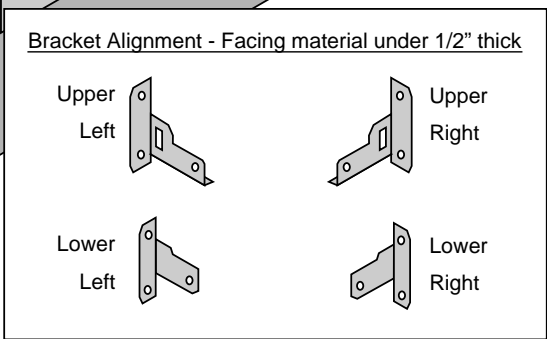
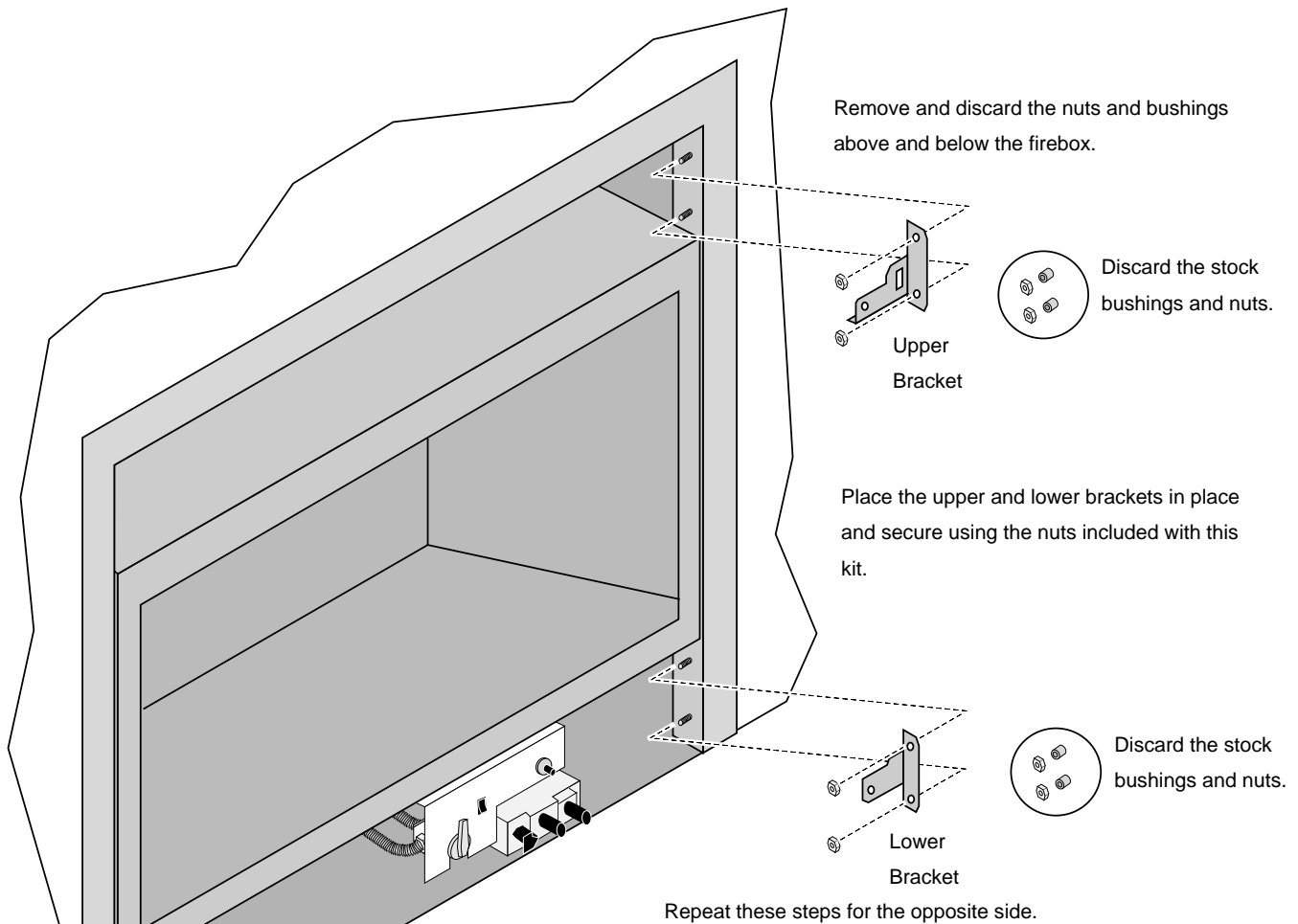


NOTE:

This face has an adjustable bracket that allows for different facing depths to be tucked under the face.

Installation – 564 SS

- 1 Remove the glass frame (see the owner's manual for details). Install face mounting brackets to the fireplae..

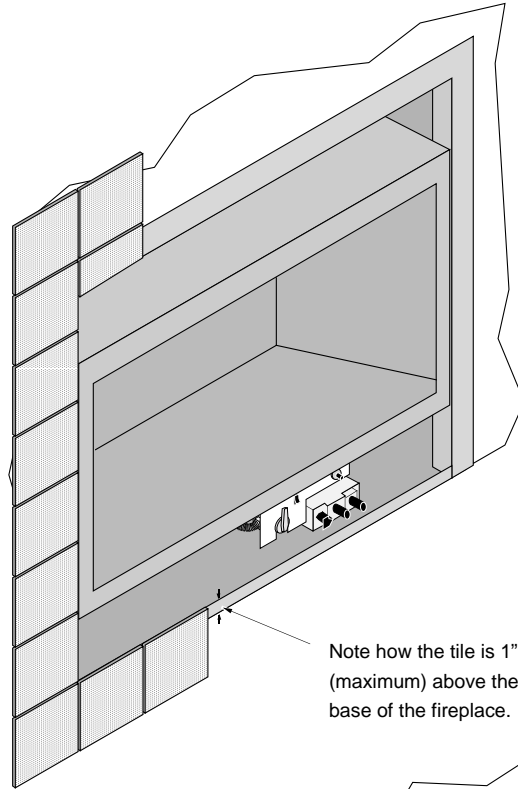




Installation – 564 SS (continued)

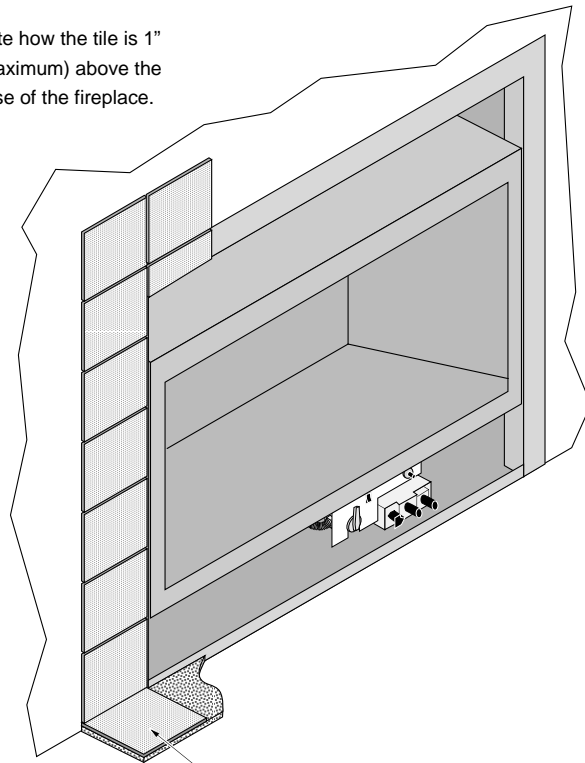
- 2 The facing and hearth (if applicable) must be installed prior to attaching the face. See the installation manual for complete details.

Raised
Fireplaces



Note how the tile is 1" (maximum) above the base of the fireplace.

Floor-Level
Fireplaces

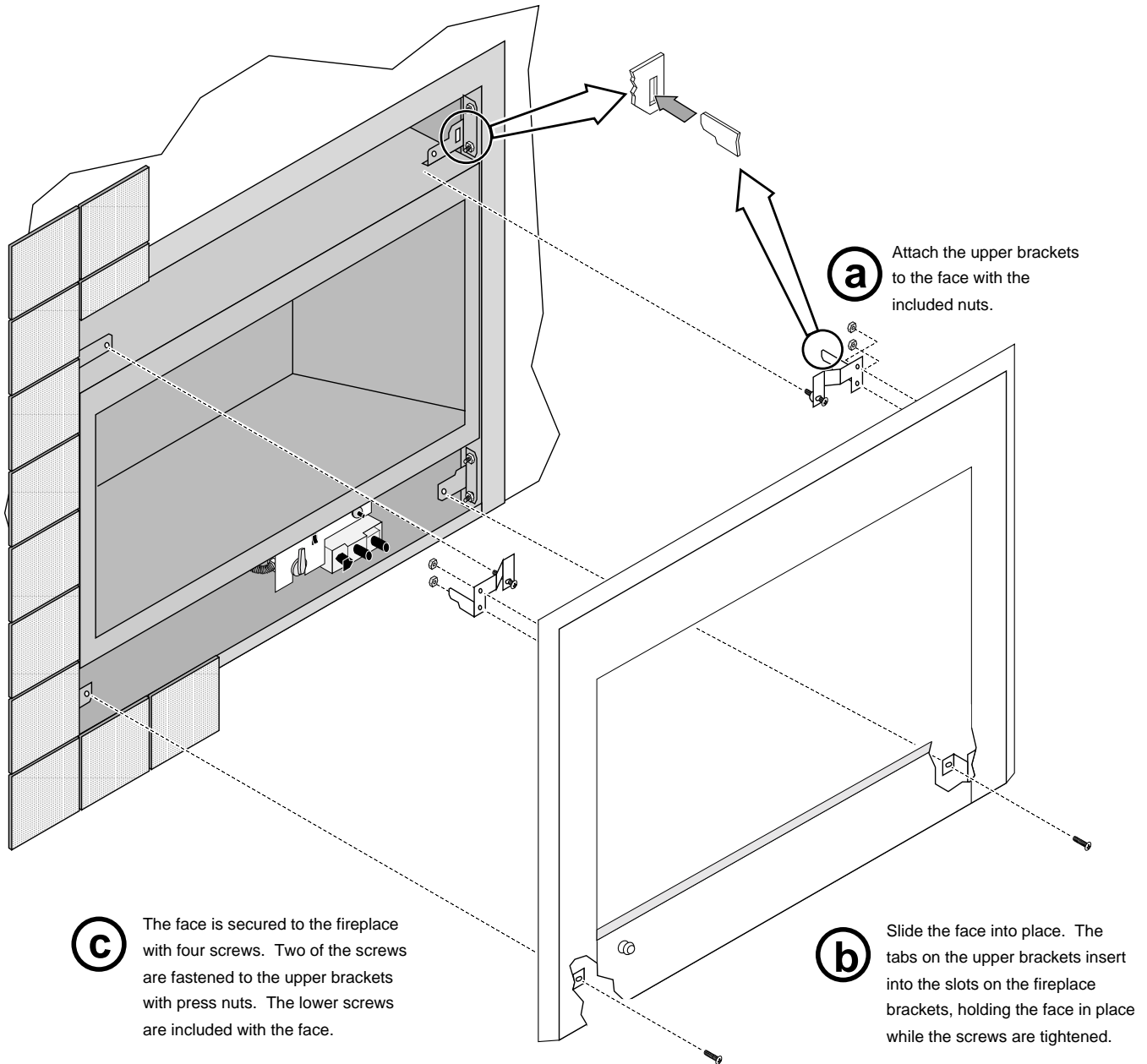


Maximum 1" Hearth



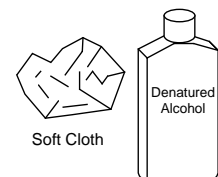
Installation – 564 SS (continued)

3 Install the face following the directions below.



Plated Surfaces

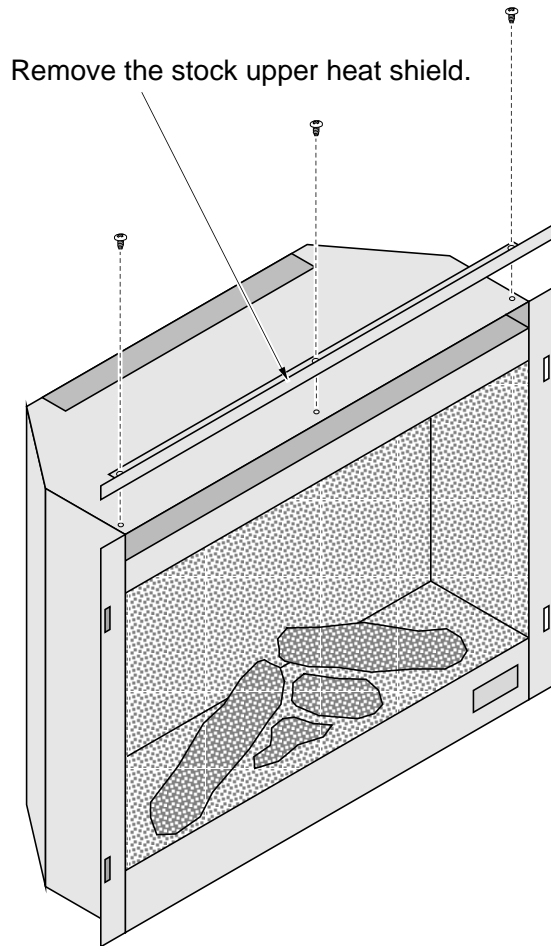
Use denatured alcohol and a soft cloth to clean plated surfaces. Marks left on the surface may damage the face.



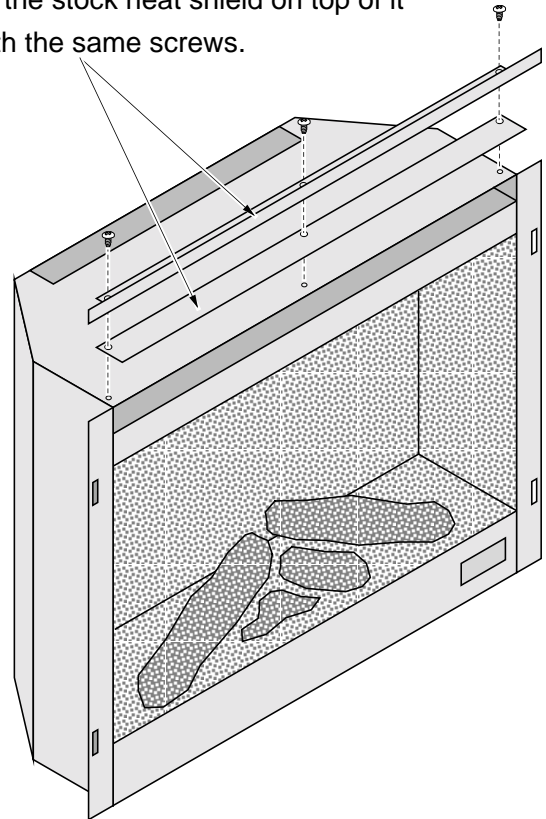


Installation – 564 Electric

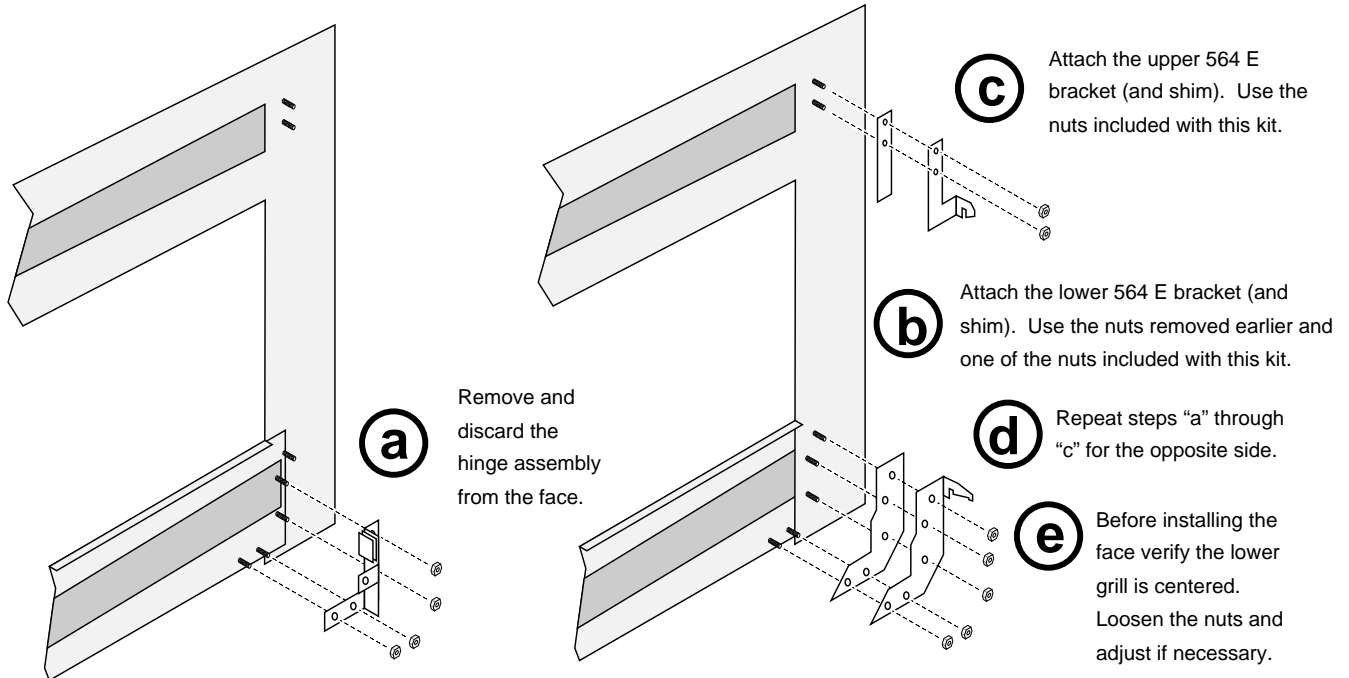
- 1 Install the upper heat shield onto the 564 E fireplace.



Place the upper heat shield included with this kit on top of the fireplace (note position of heat shield). Place the stock heat shield on top of it and secure with the same screws.



- 2 Place the face, face down, on a soft, non-scratching surface. Install the 564 Electric mounting brackets onto the back of the face.



- 3 Pull the electric fireplace out of the mantel (or built-in location). Attach the cove covers and face following the directions below. Slide the fireplace back into place to complete the installation.

