

**Compatibility:**

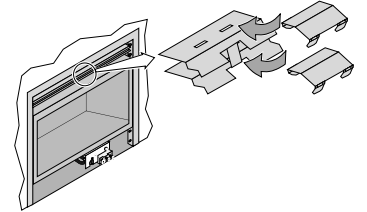
- 564 SS Fireplace
- 564 Electric Fireplace

**Packing List:**

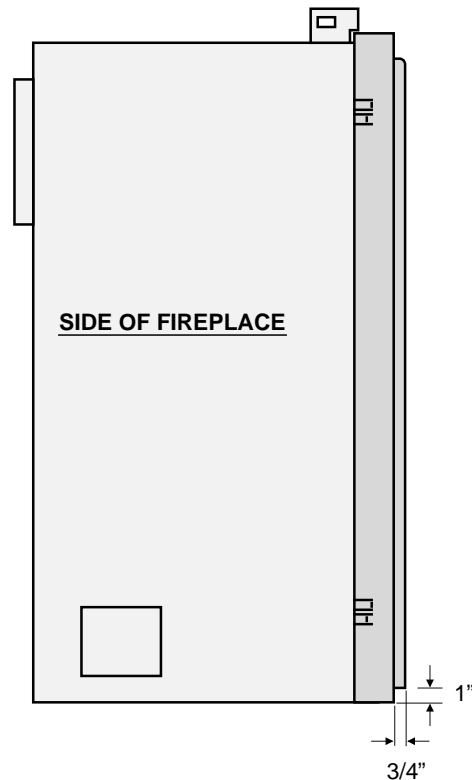
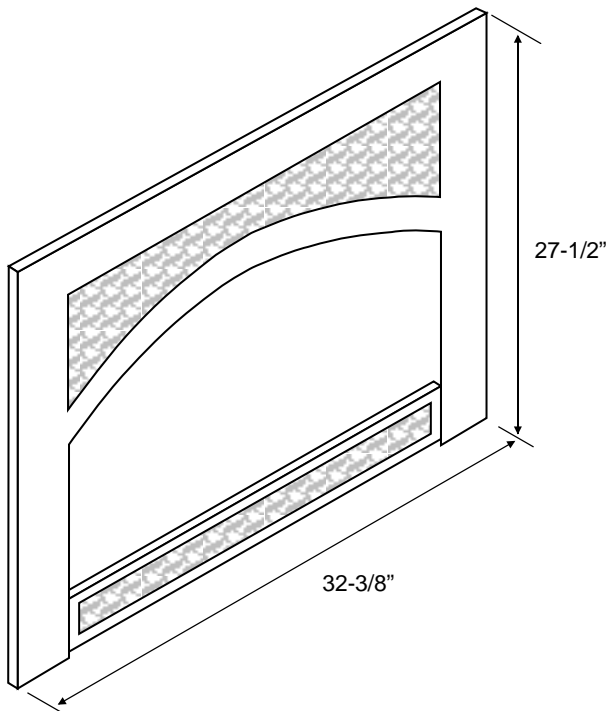
- Face
- (2) 564 SS Upper Mounting Brackets
- (2) 564 SS Lower Mounting Brackets
- (4) 10-24 1-1/2" Screws (564 SS only)
- 564 E Brackets
- 564 E Upper Heat Shield
- 564 E Cove Cover
- (14) 8-32 Nuts



**The center deflectors must be in place when using this face to prevent the facing above the fireplace from becoming too hot. If this face is replacing a Louvered Grill (96200801), make sure to replace the center deflectors.**

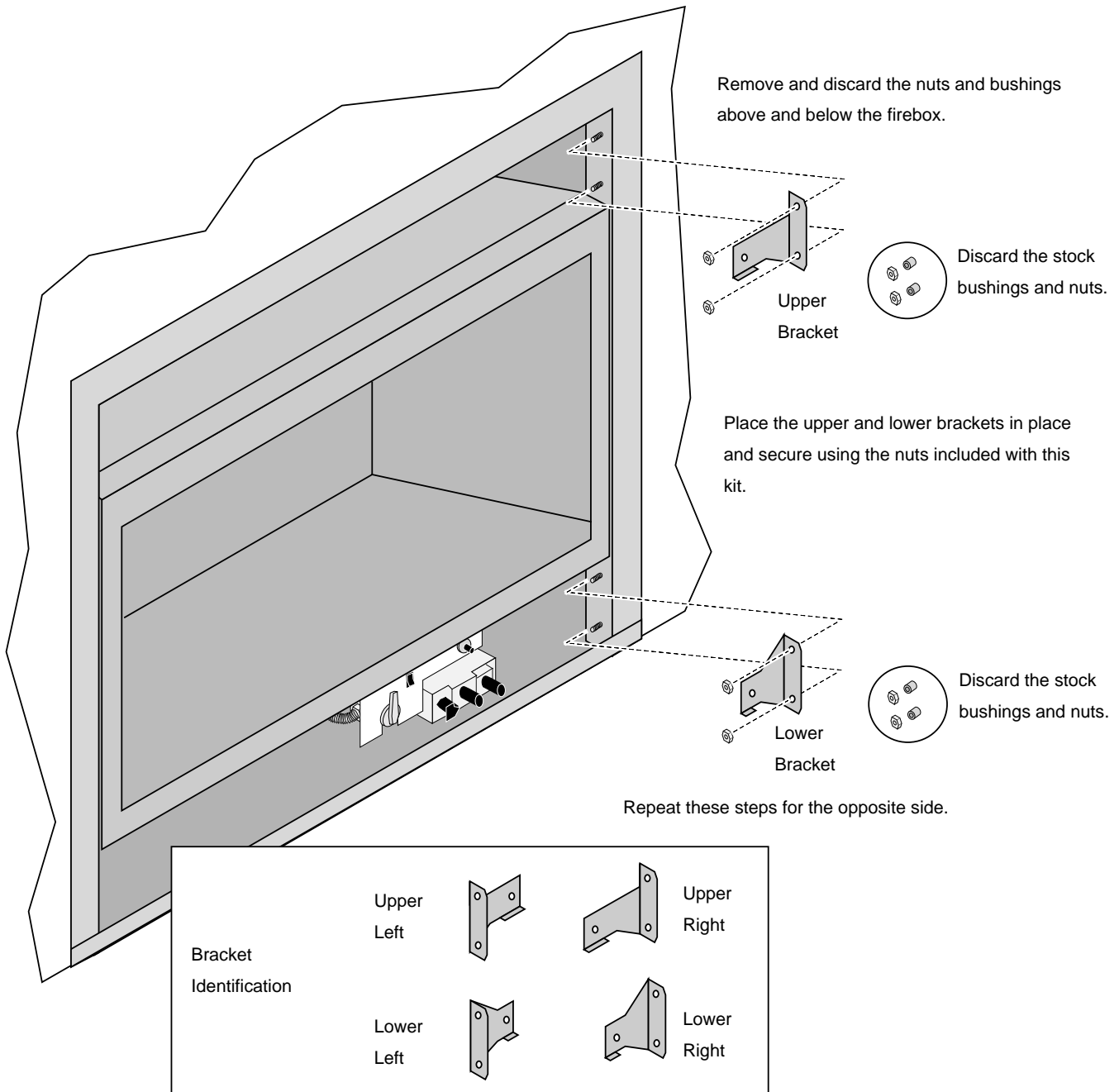


**Installation Details – 564 SS**



### Installation – 564 SS

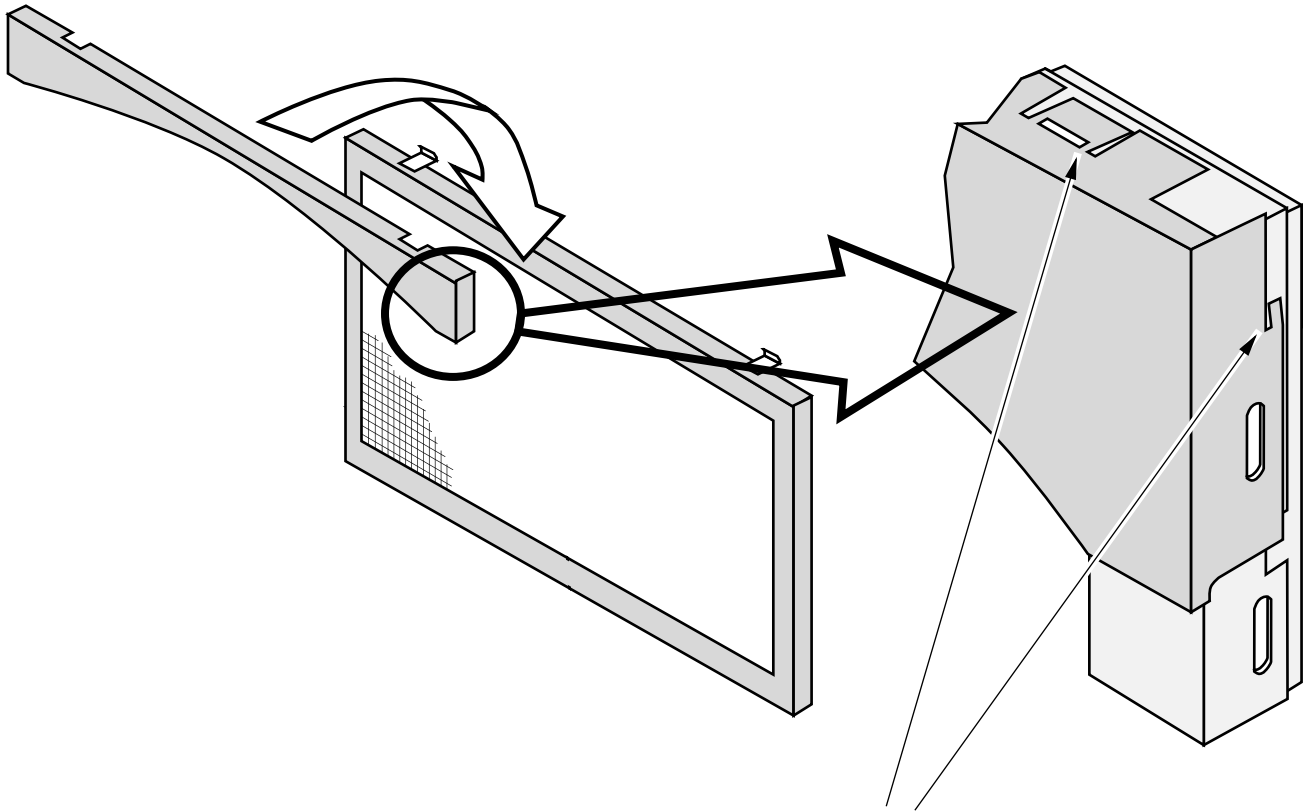
- 1 Remove the glass frame from the fireplace (see the owner's manual for details).
- 2 Install the face mounting brackets onto the fireplace following the directions below.



**Installation – 564 SS (continued)**

- 3 Install the glass frame cover following the directions below.

Place the cover over the top of the door frame.



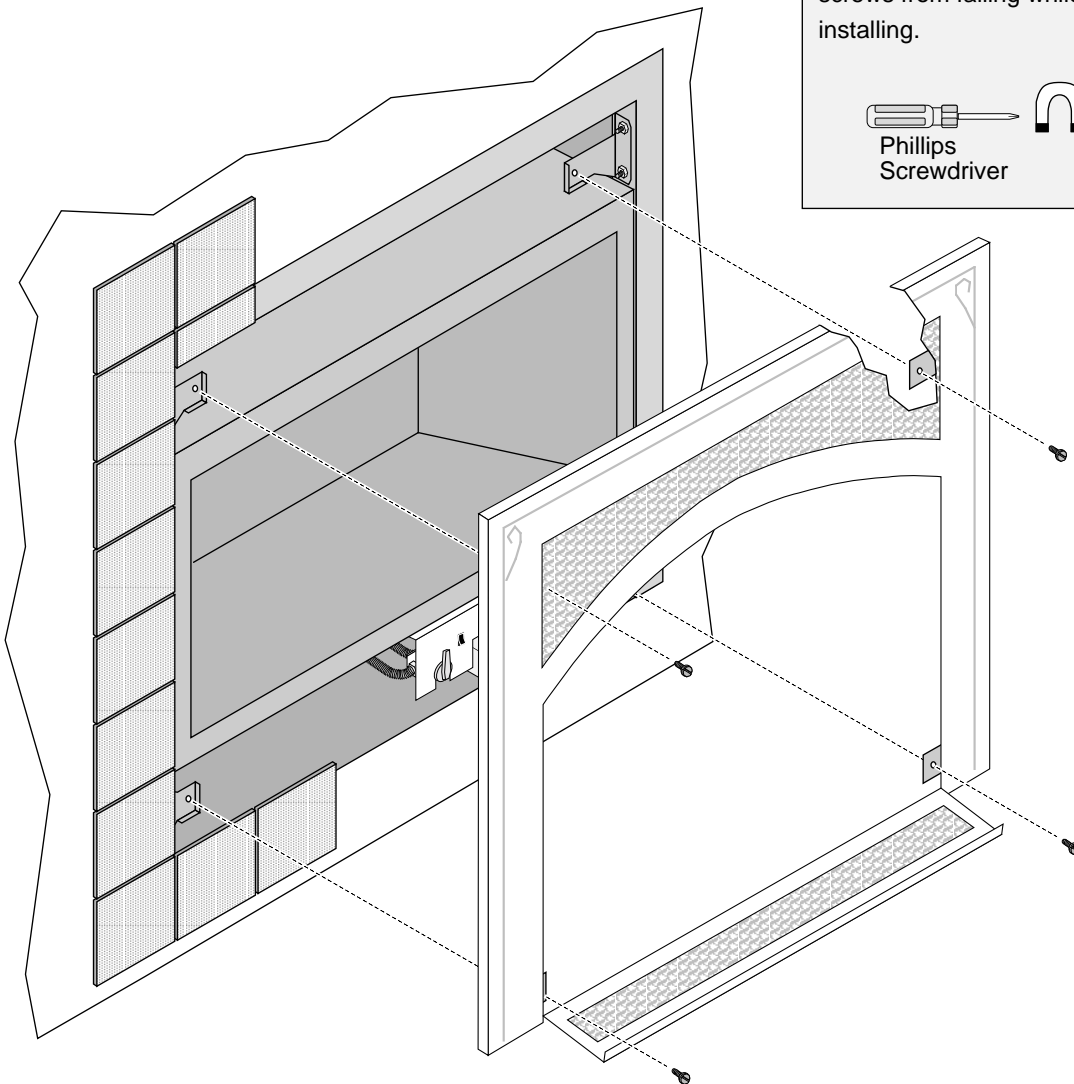
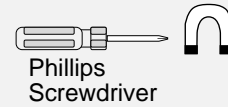
Push these tabs inwards  
to lock the cover in place.

- 4 Attach the glass frame to the fireplace.

### **Installation – 564 SS (continued)**

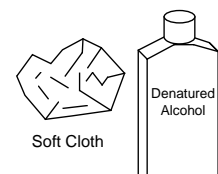
- 5 Install the face with the four included screws (see the illustration below).

**HINT:** Use a magnetic-tipped screwdriver on the upper screws. This prevents the screws from falling while installing.



### **Plated Surfaces**

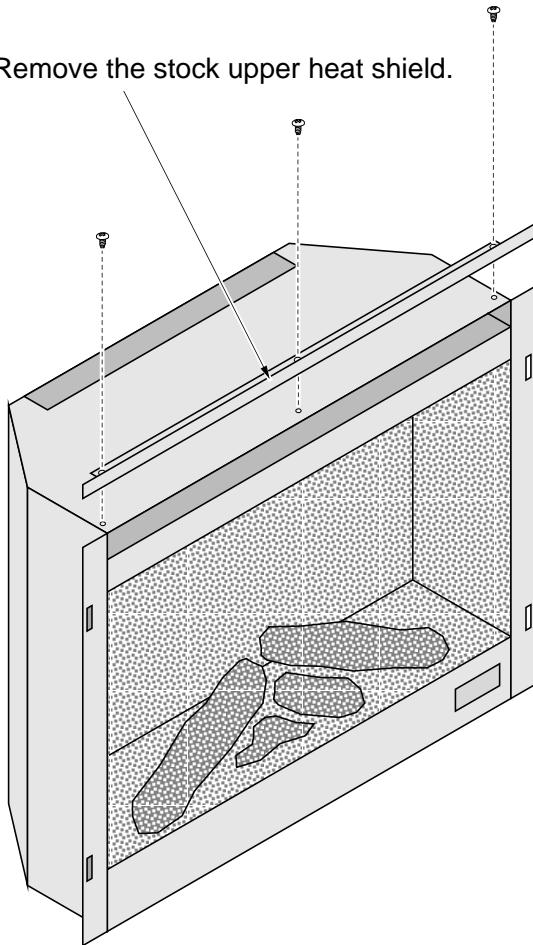
Use denatured alcohol and a soft cloth to clean plated surfaces. Marks left on the surface may damage the face.



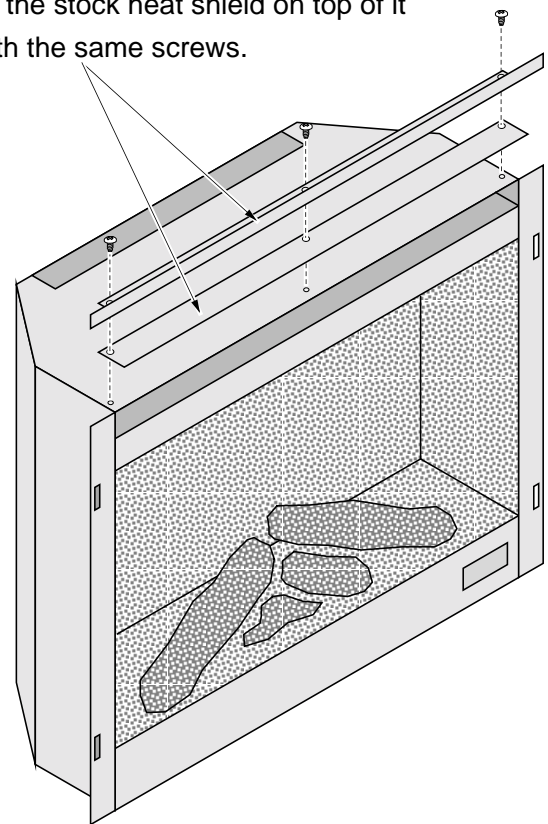
### Installation – 564 Electric

- 1 Install the upper heat shield onto the 564 E fireplace.

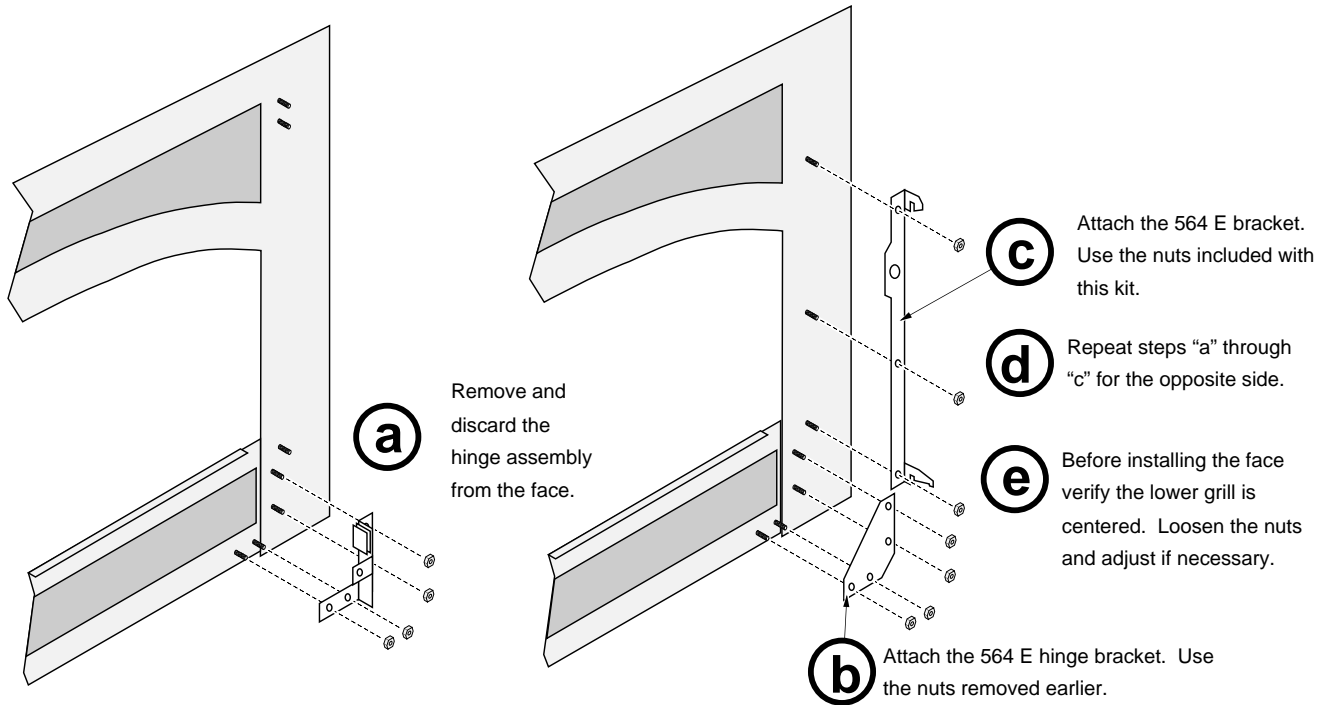
Remove the stock upper heat shield.



Place the upper heat shield included with this kit on top of the fireplace (note position of heat shield). Place the stock heat shield on top of it and secure with the same screws.



- 2 Place the face, face down, on a soft, non-scratching surface. Install the 564 Electric mounting brackets onto the back of the face.



- 3 Pull the electric fireplace out of the mantel (or built-in location). Attach the cove covers and face following the directions below. Slide the fireplace back into place to complete the installation.

Hang the 564 E cove cover over the glass - this keeps light from exiting the grill opening along the top of the face.

