

# 564 HO GS Fireplace

Listed by



AS 4553-2008

GMK10022

IAPMO-R&T OCEANA

- Built-In Direct Vent Fireplace
- Natural Gas or Propane
- Residential or Mobile Home

**WARNING:** If the information in these instructions is not followed exactly, a fire or explosion may result causing property damage, personal injury or loss of life.

- Do not store or use gasoline or other flammable vapors and liquids in the vicinity of this or any other appliance.

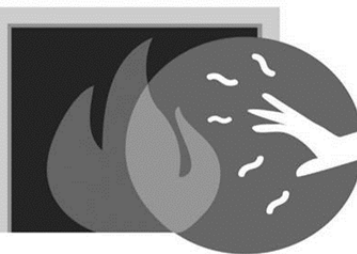
#### WHAT TO DO IF YOU SMELL GAS

- Do not try to light any appliance.
- Do not touch any electrical switch; do not use any phone in your building.
- Immediately call gas supplier from a neighbor's phone. Follow the gas supplier's instructions.
- If you cannot reach your gas supplier, call the fire department.
- Installation and service must be performed by a qualified installer, service agency or the gas supplier.

This appliance may be installed in an aftermarket permanently located, manufactured home (USA only) or mobile home, where not prohibited by local codes.

***This appliance is only for use with the type(s) of gas indicated on the rating plate. A conversion kit is supplied with the appliance.***

## WARNING



**HOT GLASS WILL  
CAUSE BURNS.**

**DO NOT TOUCH GLASS  
UNTIL COOLED.**

**NEVER ALLOW CHILDREN  
TO TOUCH GLASS.**

## Installation Manual

Dragon Wholesaling Pty. Ltd.  
Unit 2, 16 Lexington Drive  
Bella Vista NSW 2153  
Australia

**Installer:** After installation give this manual to the homeowner and explain operation of this heater.

**Overview**

This manual details the installation requirements for the 564 HO GS fireplace. For operating and maintenance instructions, refer to the 564 HO GS Owner's Manual.



Tested to the combustion performance and construction requirements of AS 4553-2008 Gas Space Heating Appliances. This appliance must be installed in accordance with all local codes. This 564 appliance is equipped from the factory only for use with Natural Gas and is only for use with the type of gas indicated on the rating plate. For conversion to LP (Propane) use a certified kit supplied by the manufacturer. See owner's manual for information on making these changes. This appliance may be installed in an aftermarket, permanently located, manufactured (mobile) home where not prohibited by local codes. This vented gas fireplace heater is not for use with air filters. This appliance must be properly connected to a venting system in accordance with the manufacturer's installation instructions. Use only approved coaxial direct vent systems to vent this appliance to the exterior. See owner's manual for approved brands of venting.

**WARNING:** Improper installation, adjustment, alteration, service or maintenance can cause injury or property damage. Refer to the owner's information manual provided with this appliance. For assistance or additional information consult a qualified installer, service agency or the gas supplier.

This appliance is a Vented Gas Fireplace Heater. Not for use with Solid Fuel.

Young children should be carefully supervised at all times when they are in the same room as the appliance.

<p>Side to enclosure Back to enclosure Fireplace to Adjacent Wall</p>	<p>Minimum Clearances to Combustibles 13 mm 0 mm 305 mm</p>	<p>Base of fireplace to enclosure top Combustible floor under fireplace Base of fireplace to a 305mm Mantel* (*see manual for other mantel depths)</p> <p>1423 mm 0 mm 1239 mm</p>
<p>FAN TYPE VENTED CIRCULATOR Blower Electrical Rating: 240V, 1.5 Amps, 50 Hz, 150 Watts</p>		
<p>Input Rate on "HI" (MJ/h) Input Rate on "LO" (MJ/h)</p>	<p>LP: 35.0 NG: 35.0</p>	<p>LP: 2.74 NG: 1.37</p>
<p>Orifice sizes for NG equipped appliances Orifice sizes for LG equipped appliances</p>	<p>LP: 8.5 NG: 11.0</p>	<p>LP: 3.24 NG: 1.74 .87</p>
<p>Front: DMS #44 Back: DMS #50 Front: 1.10 mm Back: DMS #55</p>		
<p>This appliance is equipped for installation 0-610 m. For altitudes above 600m, the vent configuration, orifice, or combination of both may need to be changed. See owner's manual for information on making these changes.</p>		
<p>MANUFACTURE DATE: 2011 <input type="checkbox"/> Jan. <input type="checkbox"/> Feb. <input type="checkbox"/> Mar. <input type="checkbox"/> Apr. <input type="checkbox"/> May <input type="checkbox"/> Jun. <input type="checkbox"/> Jul. <input type="checkbox"/> Aug. <input type="checkbox"/> Sep. <input type="checkbox"/> Oct. <input type="checkbox"/> Nov. <input type="checkbox"/> Dec.</p>	<p>Manufactured by: Certificate Holder: <b>TRAVIS INDUSTRIES</b> <b>HOUSE OF FIRE</b> 4800 Harbour Pointe Blvd. SW Mullitnoo, WA 98276</p>	<p>Dragon Wholesaling Pty. Ltd. Unit 2, 16 Lexington Drive Bella Vista NSW 2153 Australia</p>
<p>www.lopi.com.au</p>		<p>0985</p>

<b>Overview .....</b>	<b>2</b>	Intake Restrictor Adjustment .....	20
<b>Installation Options.....</b>	<b>6</b>	Diffuser Plate Adjustment.....	21
<b>Heating Specifications.....</b>	<b>6</b>	<b>Vent Configurations with Horizontal Termination (EmberFyre Burner only).....</b>	<b>22</b>
<b>Dimensions .....</b>	<b>6</b>	<b>Vent Configurations with Vertical Termination (EmberFyre Burner only).....</b>	<b>23</b>
<b>Packing List .....</b>	<b>6</b>	<b>Termination Requirements .....</b>	<b>24</b>
<b>Additional Items Required Direct Vent .....</b>	<b>7</b>	<b>Hearth Requirements .....</b>	<b>25</b>
<b>Installation Overview .....</b>	<b>8</b>	<b>Facing Requirements .....</b>	<b>26</b>
<b>Recommended Installation Procedure .....</b>	<b>8</b>	Drywall Installation .....	26
<b>Fireplace Placement Requirements .....</b>	<b>9</b>	Facing Overview.....	27
Clearances .....	9	Optional Faceplates – Sizing Chart.....	27
Raised Fireplaces.....	9	Thin Facing Installation (tile, marble, or other non-combustible under 1" (25mm) thick) .....	28
Minimum Framing Dimensions.....	10	Thin Facing Installation (tile, marble, under 1" (25mm) thick) — Side View.....	29
Nailing Brackets.....	11	Thick Facing Installation (stone, brick, or other non-combustible over 1" (25mm) thick) .....	30
Corner Installations.....	12	Thick Facing with Fireplace Xtordinaire (FPX) Arched Faces .....	31
<b>Gas Line Requirements .....</b>	<b>13</b>	Thick Facing Installation — Side View.....	32
Fuel.....	13	<b>Mantel Requirements .....</b>	<b>33</b>
Gas Line Connection .....	13	Combustible Mantels.....	33
Gas Inlet Pressure.....	13	<b>Steps for Finalizing the Installation .....</b>	<b>34</b>
Gas Line Location.....	14	Air Shutter Adjustment .....	35
<b>Electrical Connection (required) .....</b>	<b>15</b>	<b>Glass Frame Removal and Installation.....</b>	<b>36</b>
<b>Optional Wall Switch or Thermostat Installation .....</b>	<b>16</b>	<b>Glass Frame Removal and Installation (continued) .....</b>	<b>37</b>
<b>Parallel Connection</b> <b>Series Connection</b>	16	<b>LP Conversion Instructions.....</b>	<b>38</b>
<b>Vent Requirements .....</b>	<b>17</b>	<b>Installation .....</b>	38
Vent Clearances .....	17	Index.....	42
Altitude Considerations.....	17		
Approved Vent.....	18		
Vent Installation .....	18		
<b>Approved Vent Configurations .....</b>	<b>19</b>		
Restrictor Position .....	19		
Exhaust Restrictor Adjustment .....	19		

## ***Safety Warnings:***

---

- Failure to follow all of the requirements may result in property damage, bodily injury, or even death.
- This unit must be installed by a qualified installer to prevent the possibility of an explosion.
- This appliance must be installed in accordance with all local codes, if any; if not, in U.S.A. follow ANSI Z223.1 and NFPA 54(88), in Canada follow CSA B149.1.
- A manufactured home (USA only) or mobile home OEM installation must conform with the Manufactured Home Construction and Safety Standard, Title 24 CFR, Part 3280, or, when such a standard is not applicable, the Standard for Manufactured Home Installations, ANSI/NCSCBS A225.1, or Standard for Gas Equipped Recreational Vehicles and Mobile Housing, CSA Z240.4. This appliance may be installed in Manufactured Housing only after the home is site located.
- All exhaust gases must be vented outside the structure of the living-area. Combustion air is drawn from outside the living-area structure. The venting must not be connected to a chimney flue serving a separate solid-fuel burning appliance.
- Notify your insurance company before hooking up this fireplace.
- The room heater should be inspected before use and at least annually by a qualified service person. More frequent cleaning may be required due to excessive lint from carpeting, bedding material, etc.
- The instructions in this manual must be strictly adhered to. Do not use makeshift methods or compromise in the installation. Improper installation will void the warranty and safety listing.
- This heater is approved for use with natural gas (NG) or propane (LP). Burning the incorrect fuel will void the warranty and safety listing and may cause an extreme safety hazard. Direct questions about the type of fuel used to your dealer.
- Contact your local building officials to obtain a permit and information on any installation restrictions or inspection requirements in your area.
- If the flame becomes sooty, dark orange in color, or extremely tall, do not operate the heater. Call your dealer and arrange for proper servicing.
- It is imperative that control compartments, screens, or circulating air passageways of the heater be kept clean and free of obstructions. These areas provide the air necessary for safe operation.
- Do not operate the heater if it is not operating properly in any fashion or if you are uncertain. Call your dealer for a full explanation of your heater and what to expect.
- Do not store or use gasoline or other flammable liquids in the vicinity of this heater.
- Do not operate if any portion of the heater was submerged in water or if any corrosion occurs. Immediately call a qualified service technician to inspect the appliance and to replace any part of the control system and any gas control which has been under water.
- Do not place clothing or other flammable items on or near the heater. Because this heater can be controlled by a thermostat there is a possibility of the heater turning on and igniting any items placed on or near it.
- Light the heater using the built-in igniter. Do not use matches or any other external device to light your heater.
- Never remove, replace, modify or substitute any part of the heater unless instructions are given in this manual. All other work must be done by a trained technician. Don't modify or replace orifices.
- The viewing glass should be opened only for conducting service.
- Any safety screen or guard removed for servicing must be replaced prior to operating the heater.

## ***Safety Warnings (continued):***

---

- Allow the heater to cool before carrying out any maintenance or cleaning.
- Operate the heater according to the instructions included in this manual.
- If the main burners do not start correctly turn the gas off and call your dealer for service.
- This unit is not for use with solid fuel.
- Do not place anything inside the firebox (except the optional artwork).
- **Warning:** Do not operate appliance with the glass front removed, cracked or broken. Replacement of the glass should be done by a licensed or qualified service person.
- Do not throw this manual away. This manual has important operating and maintenance instructions that you will need at a later time. Always follow the instructions in this manual.
- Young children should be carefully supervised when they are in the same room as the appliance. Toddlers, young children and others may be susceptible to accidental contact burns. A physical barrier is recommended if there are at risk individuals in the house. To restrict access to a fireplace or stove, install an adjustable safety gate to keep toddlers, young children and other at risk individuals out of the room and away from hot surfaces.
- Children and adults should be alerted to the hazards of high surface temperature and should stay away to avoid burns or clothing ignition. Do not touch the hot surfaces of the heater. Educate all children of the danger of a high-temperature heater.
- Due to the high temperature, the heater should be located out of traffic and away from furniture and draperies.
- Instruct everyone in the house how to shut gas off to the appliance and at the gas main shutoff valve. The gas main shutoff valve is usually next to the gas meter or propane tank and requires a wrench to shut off.
- **Travis Industries, Inc. grants no warranty, implied or stated, for the installation or maintenance of your heater, and assumes no responsibility of any consequential damage(s).**

### Installation Options

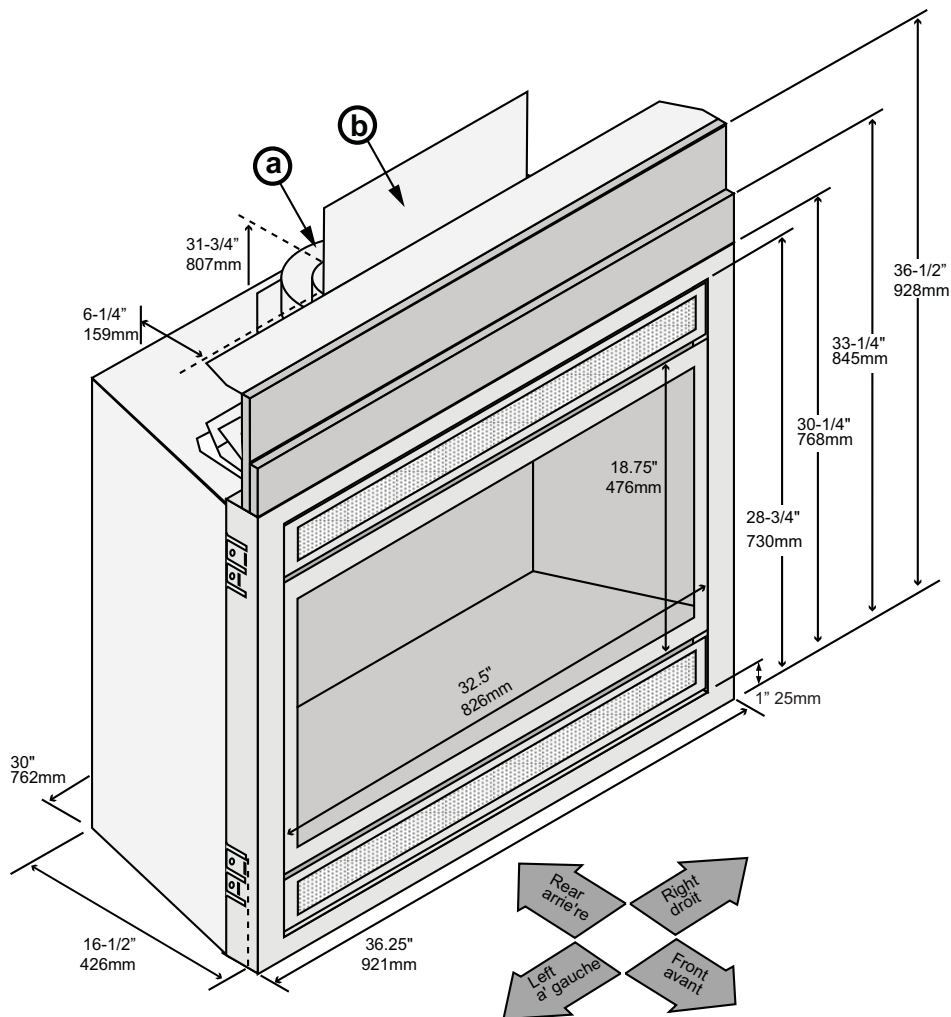
- Residential or Mobile Home
- Straight or Corner Placement
- Flush or Recessed Face
- Raised or Floor Placement
- Internal or External Chase
- Bedroom Approved

### Heating Specifications

	Natural Gas	Propane
Approximate Heating Capacity (in square meters)*	Up to 158	Up to 158
Maximum MJ Input Per Hour	35.0	35.0

\* Heating capacity will vary with floor plan, insulation, and outside temperature.

### Dimensions



(a) Center Location of Vent

(b) Heat Shield (must be bent vertically after fireplace is in location)

### Packing List

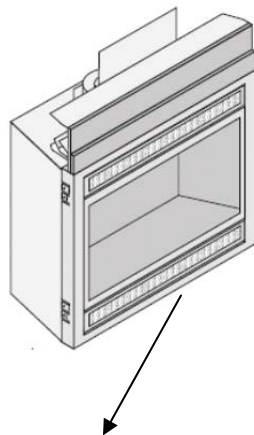
- Propane Conversion Kit

- 564 HO Thimble (250-02318)

## ***Additional Items Required Direct Vent***

---

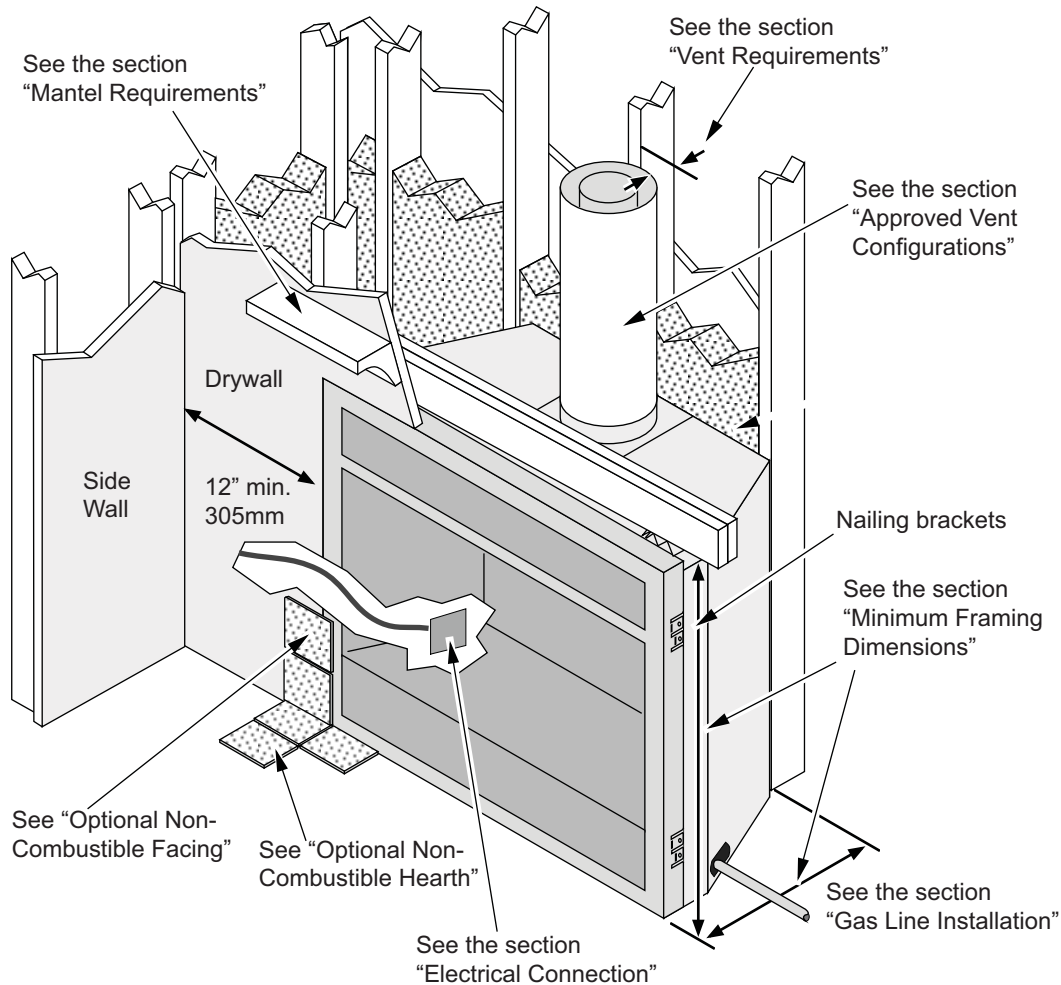
- Gas Line Equipment
- Electrical Equipment
- **This Fireplace Requires a Burner Kit, Firebacks, Logs/Media, and Face/Grill**



<b><u>Burner Style</u></b>	<b><u>EmberFyre™ Burner</u></b> 96900116
<b><u>Firebacks</u></b>	Requires 564 Ceramic Firebacks: 96100179 96100181 96100182 96100183 96100270 96100271
<b><u>Logs/Media</u></b>	Included w Burner
<b><u>Face/Grill</u></b>	Use any 564 Face or Grill

## Installation Overview

- All requirements below must be met.



## Recommended Installation Procedure

- Frame the opening for the fireplace. Make sure to allow for vent installation.
- This fireplace is designed to accommodate 1/2" (13mm) or 5/8" (16mm) drywall (see "Nailing Brackets" on page 11 for details). Secure the fireplace to the framing.
- Install the vent, gas line and electrical hook-up.
- Install the drywall.
- Install the hearth (if applicable).
- Install the facing (if applicable).
- Install the mantel (if applicable).
- Finalize the installation (see page 33) and install the grill or face.

## ***Fireplace Placement Requirements***

---

- The fireplace requires a 1/2" (13mm) clearance from the angled sides of the fireplace to the framing members. No material (insulation, framing, etc.) may be placed into this area.
- Fireplace must be installed on a level surface capable of supporting the fireplace and vent
- Fireplace must be placed directly on wood or non-combustible surface (not on linoleum or carpet)
- This heater may be placed in a bedroom. Please be aware of the large amount of heat this appliance produces when determining a location.

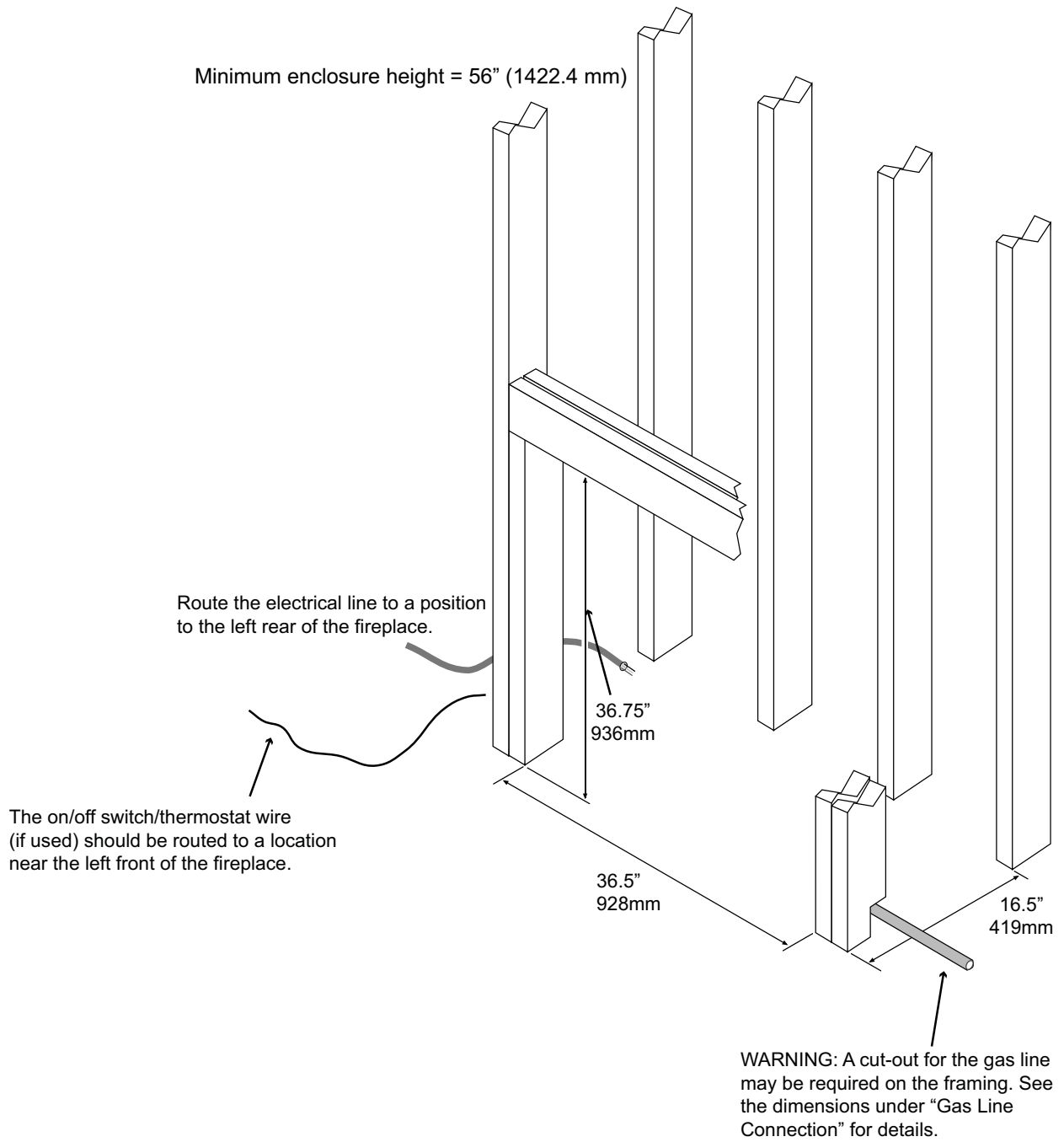
## **Clearances**

- When installed, walls in front of the fireplace must be a minimum 12" (305mm) to the side of the fireplace.
- Due to the high temperature, the heater should be located out of traffic and away from furniture and draperies.
- Fireplace must be placed so the vents below and above the glass do not become blocked.

## **Raised Fireplaces**

- The fireplace (and hearth, if desired) may be placed on a platform designed to support the fireplace (155 lbs., 70Kg) and vent.

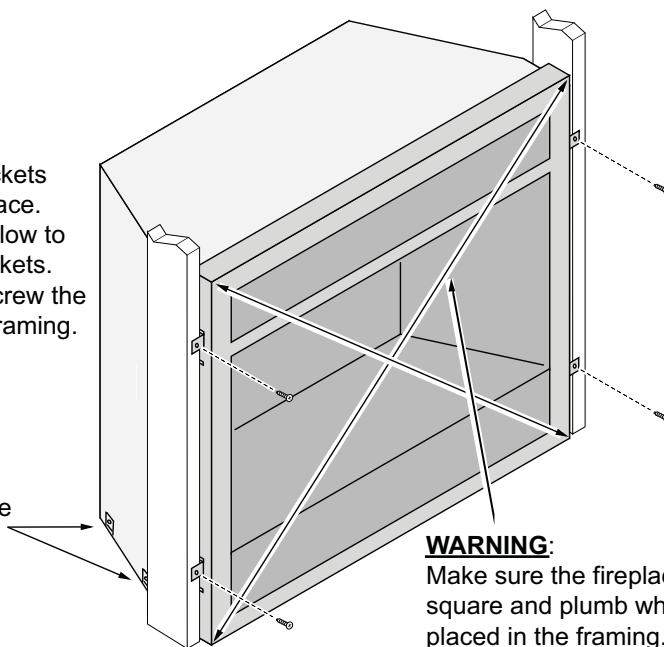
Minimum Framing Dimensions



## Nailing Brackets

There are 4 nailing brackets on the front of the fireplace. Follow the directions below to prepare the nailing brackets. Once in place, nail or screw the nailing brackets to the framing.

**NOTE:** Additional nailing brackets are provided along the base of the fireplace. Use these brackets if not using the front brackets.

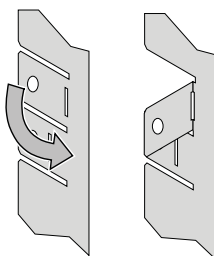


**WARNING:**

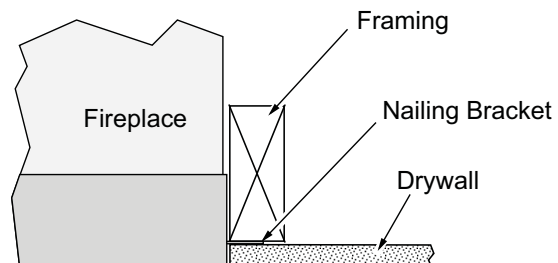
Make sure the fireplace is square and plumb when placed in the framing. Measured corner-to-corner, the fireplace should be square (approx. 47-1/8" / 1197mm) for each dimension. Use shims to ensure the fireplace is square.

### 1/2" (13mm) Drywall

For installations using 1/2" (13mm) facing, fold the larger tab out 90 degrees. Use a screwdriver if necessary.

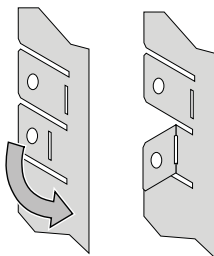


### TOP VIEW

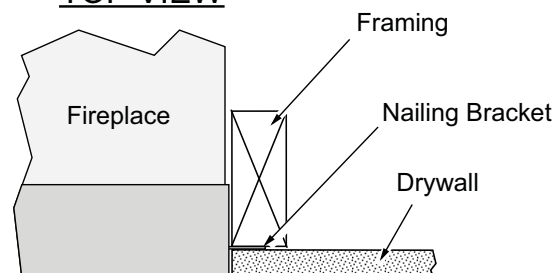


### 5/8" (16mm) Drywall

For installations using 5/8" (16mm) facing, fold the shorter tab out 90 degrees. Use a screwdriver if necessary.

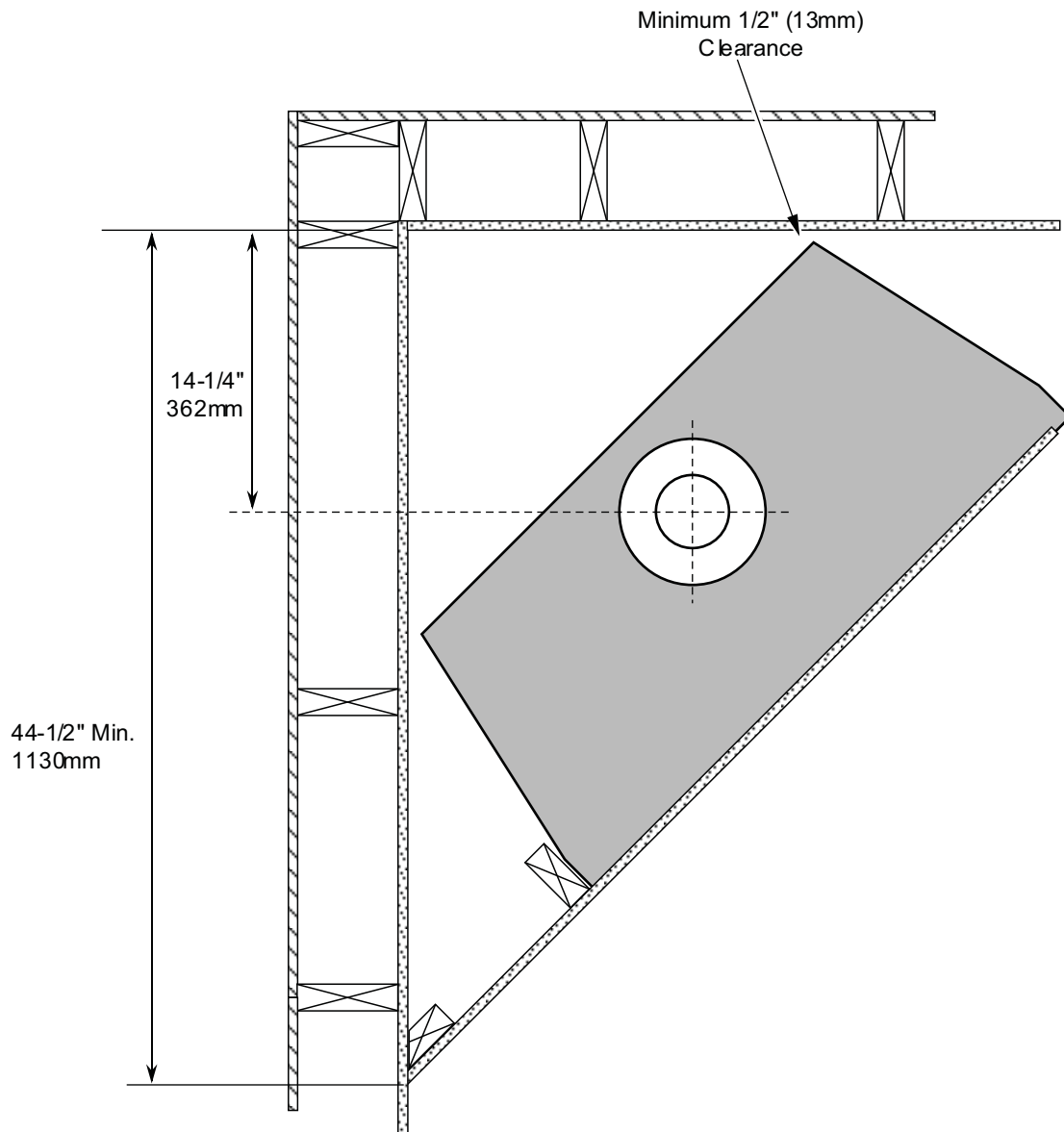


### TOP VIEW



### Corner Installations

A typical 45° installation uses the framing dimensions shown in the illustration below (NOTE: all clearances still apply).



## Gas Line Requirements

- The gas line must be installed in accordance with all local codes, if any; if not, follow ANSI 223.1 and NFPA 54(88), in Canada follow CSA B149.1 and the requirements listed below.
- The fireplace and gas control valve must be disconnected from the gas supply piping during any pressure testing of that system at test pressures in excess of 1/2 psig (3.5 kPA). For pressures under 1/2 psig (kPA), isolate the gas supply piping by closing the manual shutoff valve.
- Leak test all gas line joints and the gas control valve prior to and after starting the fireplace.

## Fuel

- This fireplace is designed either for natural gas or for propane (but not for both). Check the sticker on the top of the gas control valve to make sure the correct fuel is used.

## Gas Line Connection

- Installation must be performed by a qualified installer, service agency or the gas supplier (In Massachusetts a licensed plumber/gasfitter).

## Gas Inlet Pressure

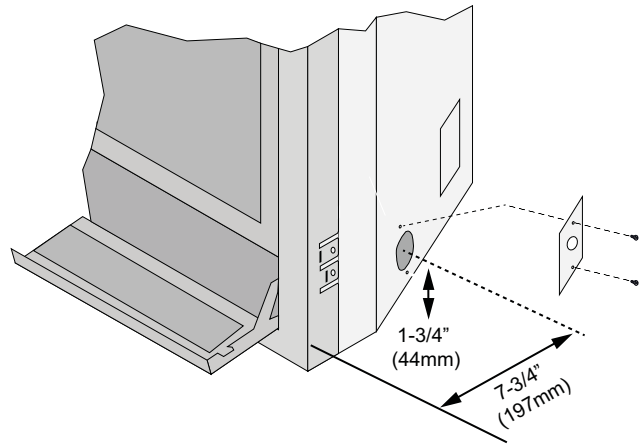
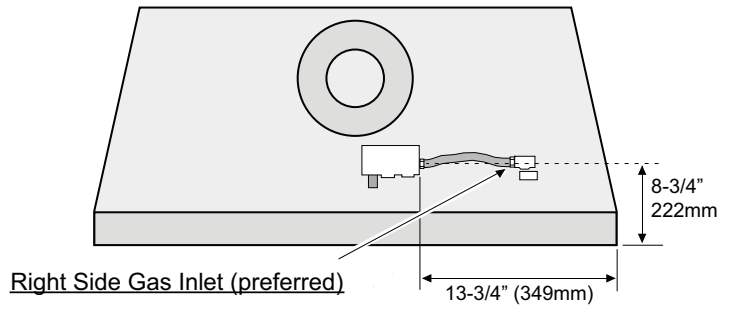
	Standard Input Pressure
Natural Gas	7" W.C. (1.74 kPA)
Propane	13" W.C. (2.73 kPA)

- If the pressure is not sufficient, make sure the piping used is large enough, the supply regulator is adequately adjusted, and the total gas load for the residence does not exceed the amount supplied.
- The supply regulator (the regulator that attaches directly to the residence inlet or to the propane tank) should supply gas at the suggested input pressure listed above. Contact the local gas supplier if the regulator is at an improper pressure.

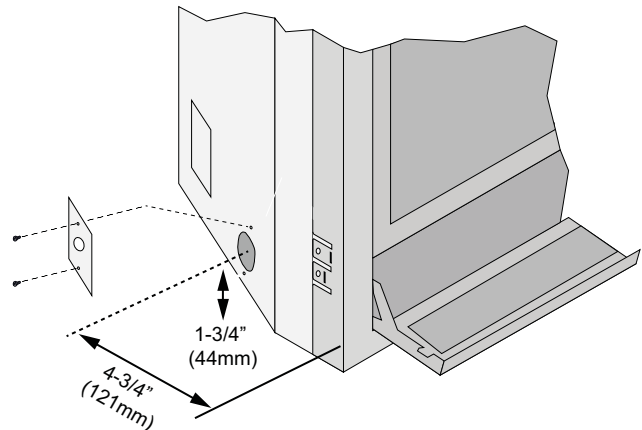
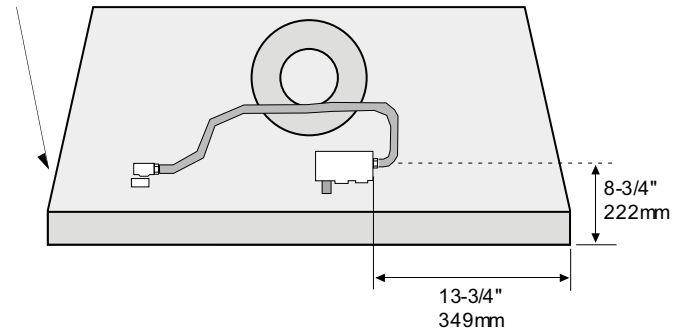
Gas Line Location

A 6" (152mm) flex tube and shutoff valve are included with the fireplace. The shutoff valve accepts a 1/2" MPT.

The gas valve inlet is located 2-1/2" above the base of the fireplace.



Left Side Gas Inlet



## ***Electrical Connection (required)***

---

- The electrical line to the grounded receptacle inside the fireplace must be installed by a qualified installer and must meet all local codes.
- Make sure the household breaker is shut off prior to working on any electrical lines.
- The appliance, when installed, must be electrically grounded in accordance with local codes or, in the absence of local codes, with the National Electrical Code, ANSI/NFPA 70, or the Canadian Electrical Code, CSA C22.1.
- Plug the stove into a grounded receptacle supplying a minimum 2 amps (240 Volts).

**Caution:** Label all wires prior to disconnection when servicing controls. Wiring errors can cause improper and dangerous operation.

**Optional Wall Switch or Thermostat Installation**



Do not connect 120/240 VAC to the gas control valve or wiring system of this fireplace. The switch and wiring must be installed by a qualified installer.

This fireplace includes an optional wall switch (with wire) to operate the fireplace burner without accessing the internal on/off switch. A thermostat may be used instead.

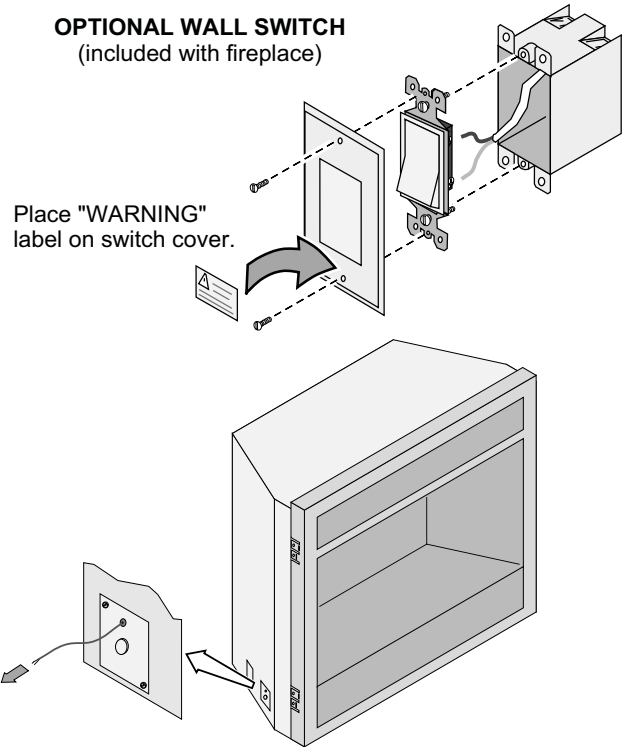
Route the wire from inside the fireplace, through the grommet on either side of the fireplace near the gas inlet (see at right) to the switch. The wall switch (or thermostat) may bypass the fireplace on/off switch or be installed in parallel or series configuration (see below).

**Caution:** Label all wires prior to disconnection when servicing controls. Wiring errors can cause improper and dangerous operation.

**Note:** When using a GreenSmart™ remote, use the receiver for on/off operation (do not use a wall switch or thermostat).

**Warning:** Make sure all wiring is secure and does not contact hot or moving components.

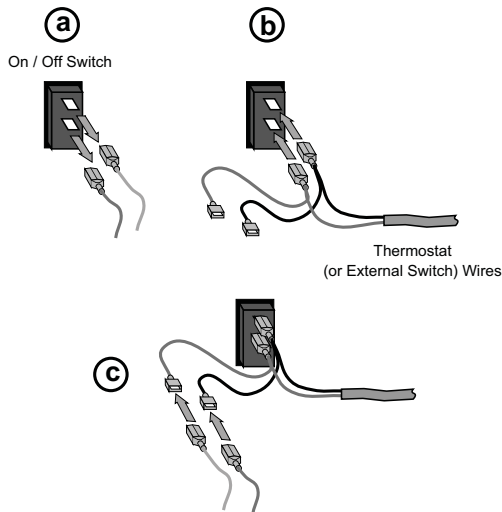
**OPTIONAL WALL SWITCH**  
(included with fireplace)



**Parallel Connection**

	On / Off Switch <b>ON</b>	On / Off Switch <b>OFF</b>
Thermostat / External Switch <b>ON</b>	Heater is <b>ON</b>	Heater is <b>ON</b>
Thermostat / External Switch <b>OFF</b>	Heater is <b>ON</b>	Heater is <b>OFF</b>

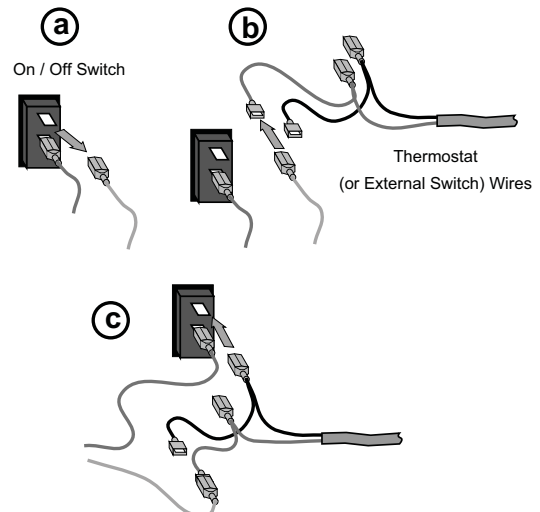
To wire the heater in parallel, follow the directions below:



**Series Connection**

	On / Off Switch <b>ON</b>	On / Off Switch <b>OFF</b>
Thermostat / External Switch <b>ON</b>	Heater is <b>ON</b>	Heater is <b>OFF</b>
Thermostat / External Switch <b>OFF</b>	Heater is <b>OFF</b>	Heater is <b>OFF</b>

To wire the heater in series, follow the directions below:



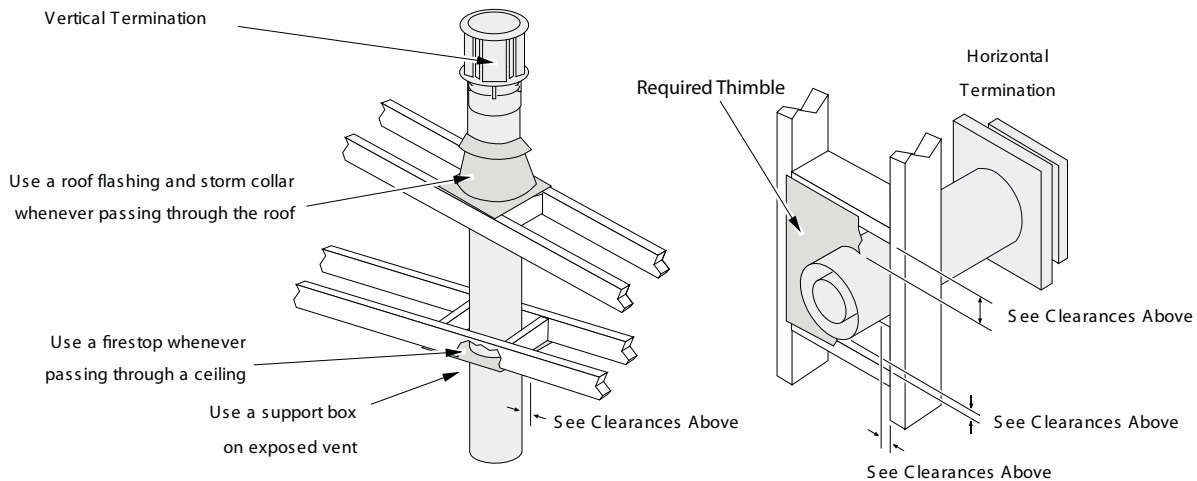
## Vent Requirements

- The gas appliance and vent system must be vented directly to the outside of the building, and never be attached to a chimney serving a separate solid fuel or gas-burning appliance. Each direct vent gas appliance must use its own separate vent system.
- In addition to the requirements listed here, follow the requirements provided with the vent.
- The fireplace must use the Travis Thimble (sku 250-02318) whenever the vent penetrates a wall. Other penetrations only require a 1" (25mm) clearance and may use a standard firestop (make sure the required 1" (25mm) clearance is met).

## Vent Clearances

- The vent must maintain the required clearance to combustible materials to prevent a fire. Do not fill air spaces with insulation.

Sides	1" (25mm)
Above	4" (102mm)
Below	1" (25mm)



## Altitude Considerations

- This heater has been tested at altitudes ranging from sea level to 6,000 feet (1800 M). In this testing we have found that the heater, with its standard orifice, burns correctly with just an air shutter adjustment.
- Failure to adjust the air shutter properly may lead to improper combustion which can create a safety hazard. Consult your dealer or installer if you suspect an improperly adjusted air shutter.

### Approved Vent

- May use 6-5/8" (168mm) if terminated vertically.
- Horizontal termination configurations use 8" (203mm) diameter Simpson Dura-Vent Model Direct-Vent Pro (or GS)\*.

\* Other vent may be approved with this fireplace. Check with the vent manufacturer for details.

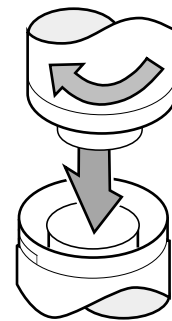
- Vertical termination configurations use 8" (203mm) or 6-5/8" (168mm) diameter Simpson Dura-Vent Direct-Vent Pro (or GS)\*. If using 6-5/8" (168mm) diameter vent, attach the 8" (203mm) to 6-5/8" (168mm) reducer (Travis part # 98900165) to the fireplace.

• **NOTE:** When using 6-5/8" (168mm) diameter vent, make sure to accommodate the 4" (102mm) clearance above the vent. Standard firestops do not include this clearance.

- Always use the high-wind cap (58DVA-HC, 58DVA-VCH, or 46DVA-VCH).
- Installation instructions for Simpson Dura-Vent may be found at [www.duravent.com](http://www.duravent.com).
- Other vents may be approved.

### Vent Installation

- Slide the vent sections together and turn 1/4 turn until the sections lock in place.
- Screws are not required to secure the vent. However, three screws may be used to secure vent sections together if desired.
- High temperature sealant is recommended at the appliance starter section connection (use high-temperature silicone or Mill-Pac®).
- If disassembly is required, at time of re-assembly check to see if the vent creates a tight fit. If it does not, apply high temperature sealant to the joints of the affected sections.
- Horizontal sections require a 1/4" (6mm) rise every 12" (305mm) of travel
- Horizontal sections require non-combustible support every three feet (e.g.: plumbing tape)



## Approved Vent Configurations

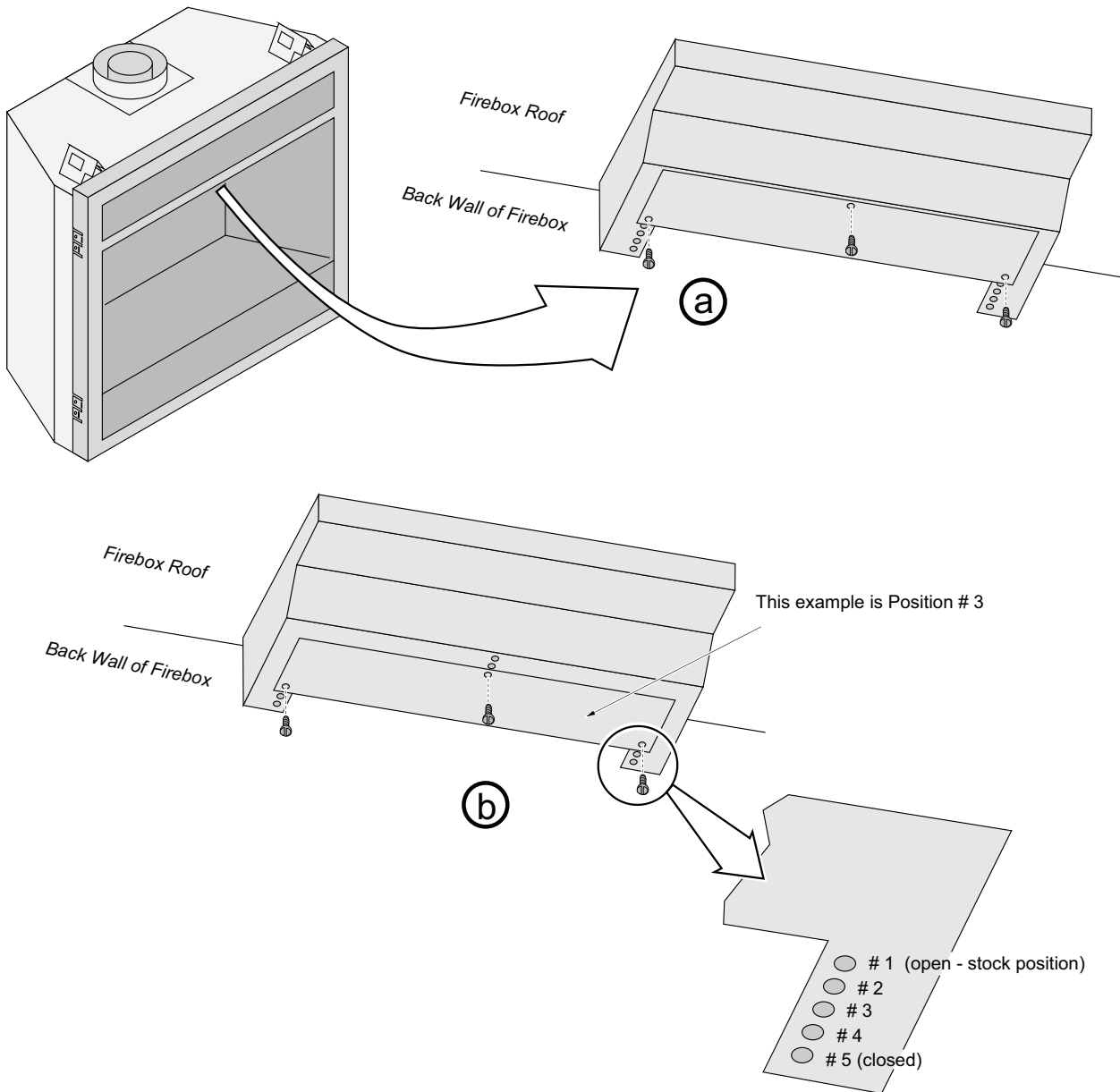
### Restrictor Position

- Intake and exhaust restrictors are built into the appliance to adjust the flow rate of intake air and exhaust gases. Depending upon the vent configuration, you may be required to adjust the restrictor positions. The charts for acceptable vent configurations detail the correct restrictor positions.

### Exhaust Restrictor Adjustment

The exhaust restrictor is shipped in position "1". If the restrictor is required in a different position, remove the screws, re-position the restrictor (see "A" below), and replace the screws.

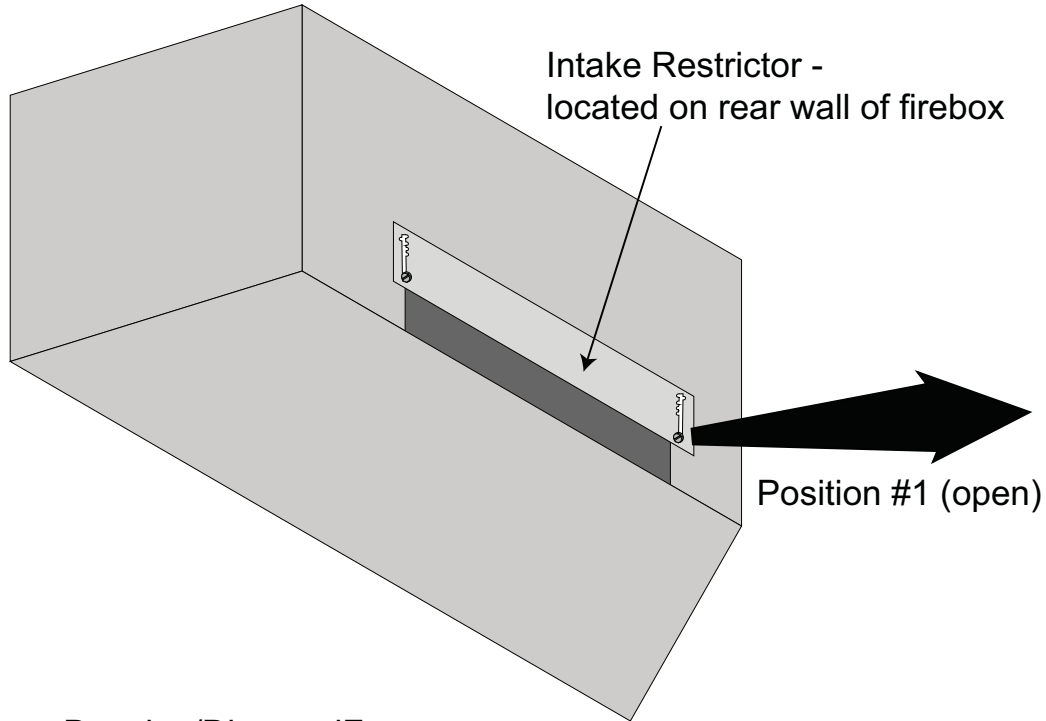
In the example "B" below, the restrictor is set in position #3.



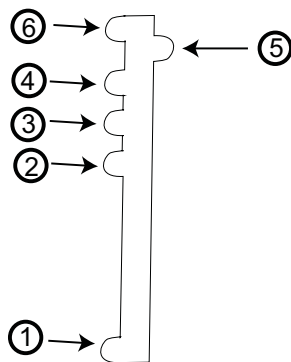
**Intake Restrictor Adjustment**

The intake restrictor is shipped with the burner. See the burner installation instructions for details on installing this component.

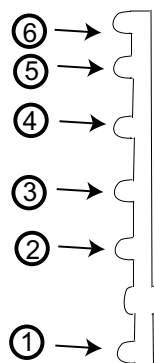
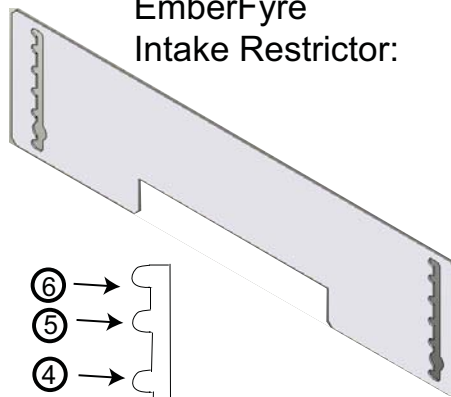
Make sure to adjust the intake restrictor to the position indicated on the vent configuration page. To adjust the restrictor, loosen the two screws securing the restrictor to the firebox and slide it to the correct position as shown below.



Dancing/DiamondFyre Intake Restrictor:



EmberFyre Intake Restrictor:

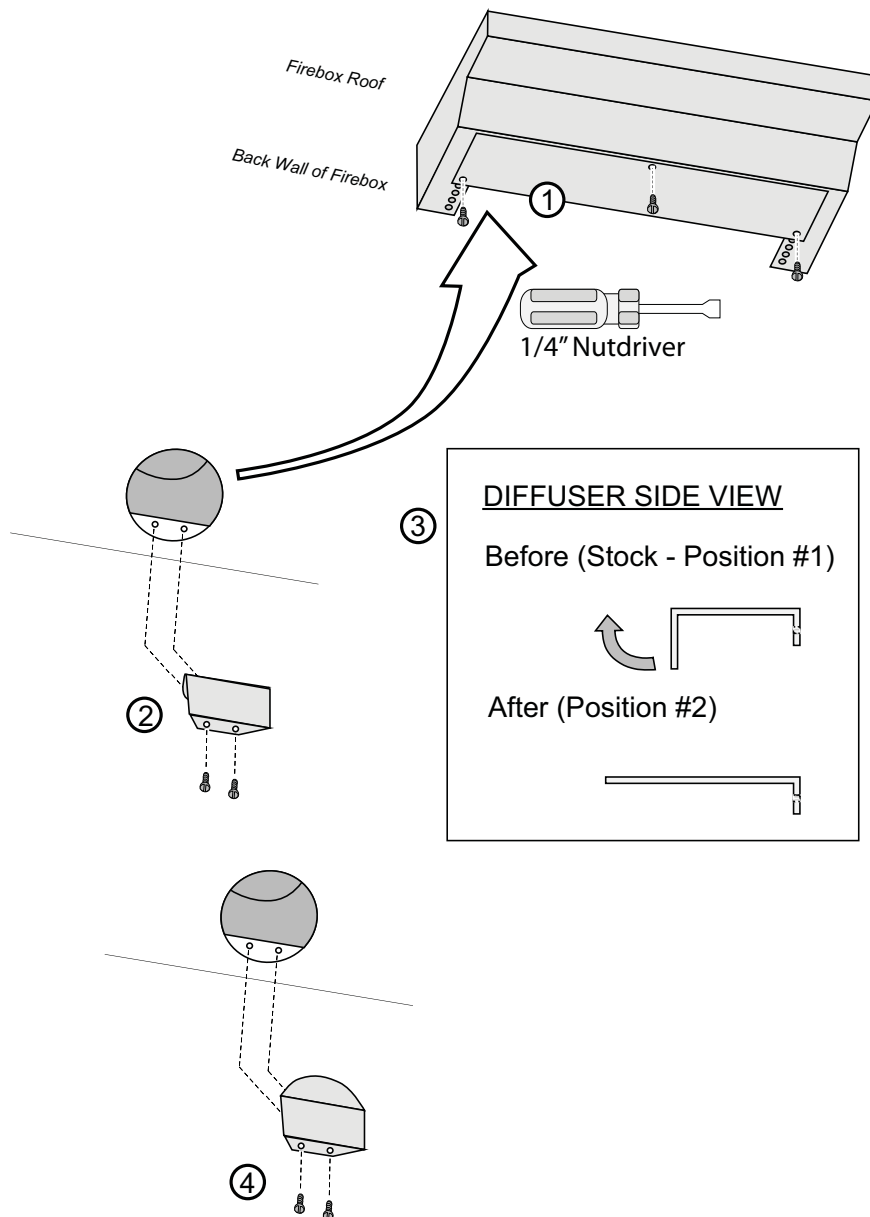


## Diffuser Plate Adjustment

Certain vent configurations require the diffuser plate to be adjusted (refer to the approved vent configuration charts for details). Position # 1 is stock (bent). Position # 2 is flattened.

Change the diffuser to position #2 as follows:

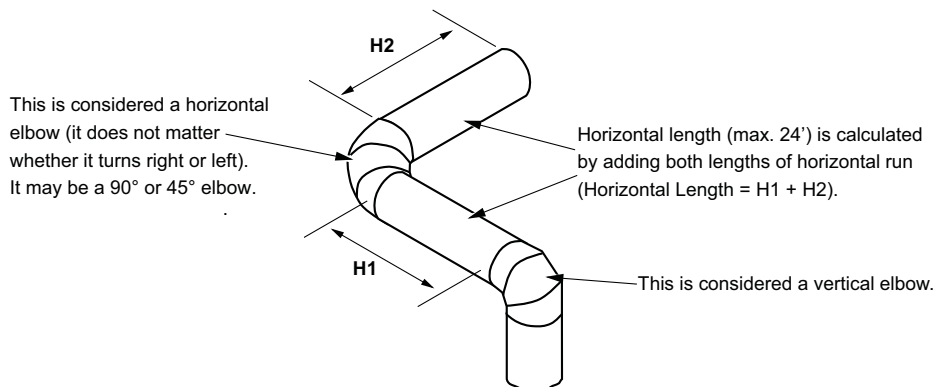
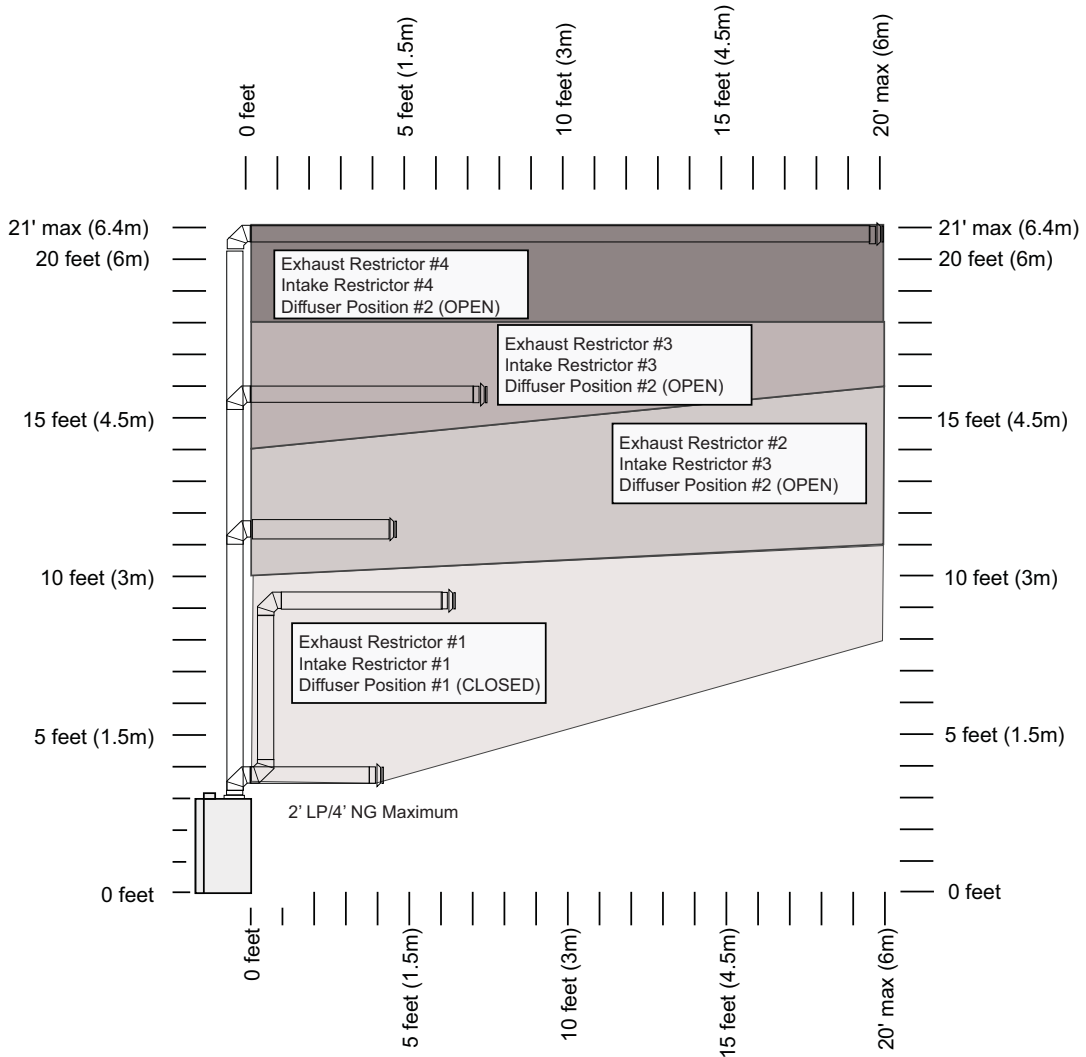
1. The diffuser is located above the exhaust restrictor (remove the restrictor if necessary).
2. Remove the diffuser.
3. Bend the round portion of the diffuser so it is flat (position #2).
4. Secure the flattened diffuser plate with the screws removed earlier.
5. Replace the exhaust restrictor. See "Exhaust Restrictor Adjustment" for the restrictor settings.



**Vent Configurations with Horizontal Termination (EmberFyre Burner only)**

- The termination must fall within the shaded area shown in the chart. Use the indicated restrictor and diffuser positions.
- Up to four elbows (45° or 90°) may be used.
- Only one horizontal elbow may be used.

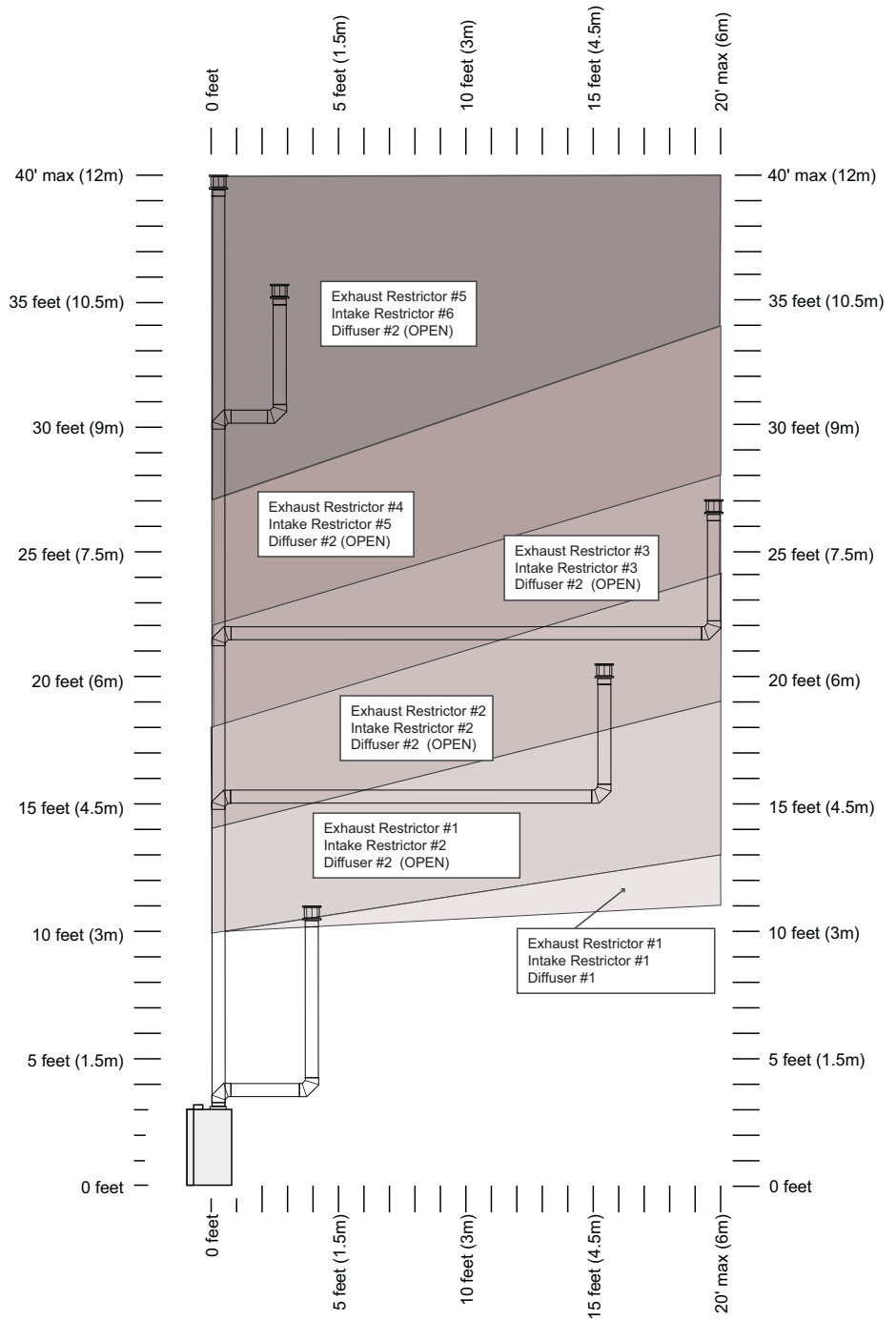
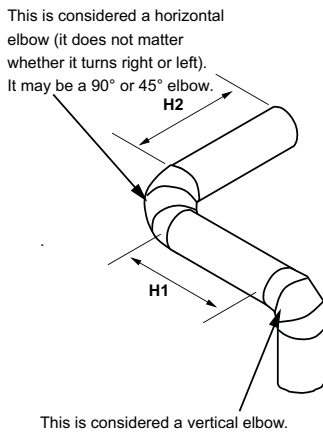
NOTE: With no vertical rise, LP installations have a maximum run of 2 feet (0.6m); NG installations have a maximum run of 4 feet (1.2m).



## Vent Configurations with Vertical Termination (EmberFyre Burner only)

- The termination must fall within the shaded area shown in the chart. Use the indicated restrictor and diffuser positions.
- Up to four elbows (45° or 90°) may be used.
- Only one horizontal elbow may be used.

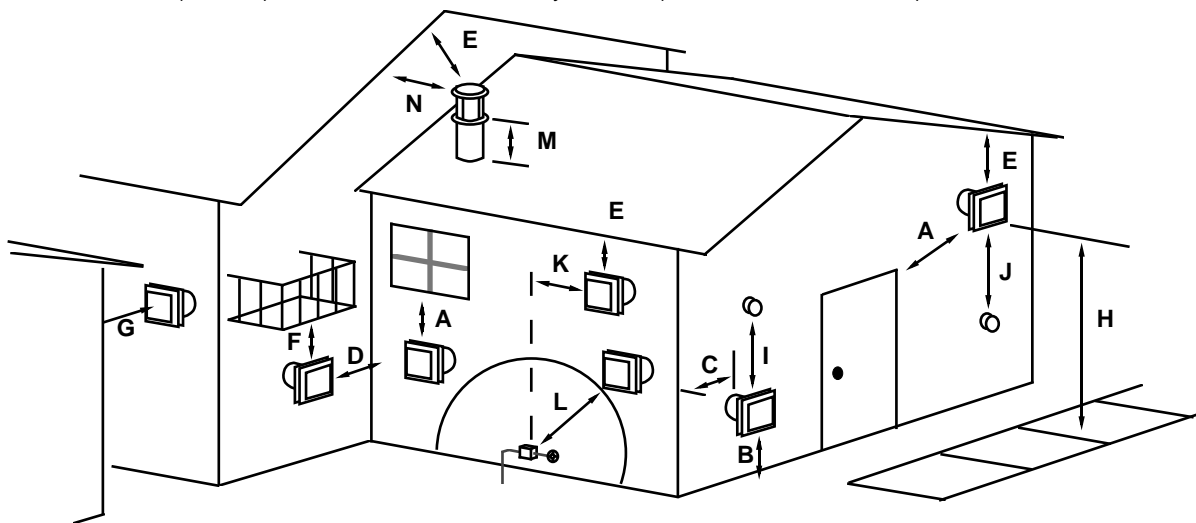
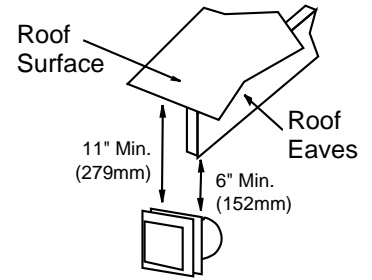
Horizontal length (max. 24') is calculated by adding both lengths of horizontal run (Horizontal Length = H1 + H2).



## Termination Requirements

**! Venting terminals shall not be recessed into a wall or siding.**

- A Minimum 9" (229mm) clearance from any door or window
- B Minimum 12" (305mm) above any grade, veranda, porch, deck or balcony
- C Minimum 1" (25mm) from outside corner walls  
**NOTE:** Clearance in accordance with local installation codes and the requirements of the gas supplier.
- D Minimum 1" (25mm) from inside corner walls  
**NOTE:** Clearance in accordance with local installation codes and the requirements of the gas supplier.
- E Minimum 11" (279mm) clearance below unventilated soffits or roof surfaces.  
 Minimum 18" (457mm) clearance below ventilated soffits.  
 Minimum 6" (152mm) clearance below roof eaves.  
**NOTE:** Vinyl surfaces require 24" (610mm)  
**NOTE:** Clearance in accordance with local installation codes and the requirements of the gas supplier.
- F Minimum 12" (305mm) clearance below a veranda, porch, deck or balcony.  
**NOTE:** Permitted only if veranda, porch, deck, or balcony is fully open on a minimum of two sides beneath the floor.  
**NOTE:** Clearance in accordance with local installation codes and the requirements of the gas supplier.
- G Minimum 48" (1219mm) clearance from any adjacent building.
- H Minimum 84" (2134mm) clearance above any grade when adjacent to public walkways or driveways.  
**NOTE:** may not be used over a walkway or driveway shared by an adjacent building.
- I Minimum 9" (229mm) clearance to any non-mechanical air supply inlet to the building or the combustion air inlet to any other appliance.
- J Minimum 36" (914mm) clearance above any mechanical air supply inlet if within 10' (3M) horizontally.
- K Minimum 36" (914mm) from the area above the meter/regulator (vent outlet) - this extends 15' (4.5M) above the regulator  
**NOTE:** Clearance in accordance with local installation codes and the requirements of the gas supplier.
- L Minimum 36" (914mm) from the meter/regulator (vent outlet).  
**NOTE:** Clearance in accordance with local installation codes and the requirements of the gas supplier.
- M Minimum 12" (305mm) above the roof line (for vertical terminations).
- N Minimum 24" (610mm) horizontal clearance to any surface (such as an exterior wall) – for vertical terminations.

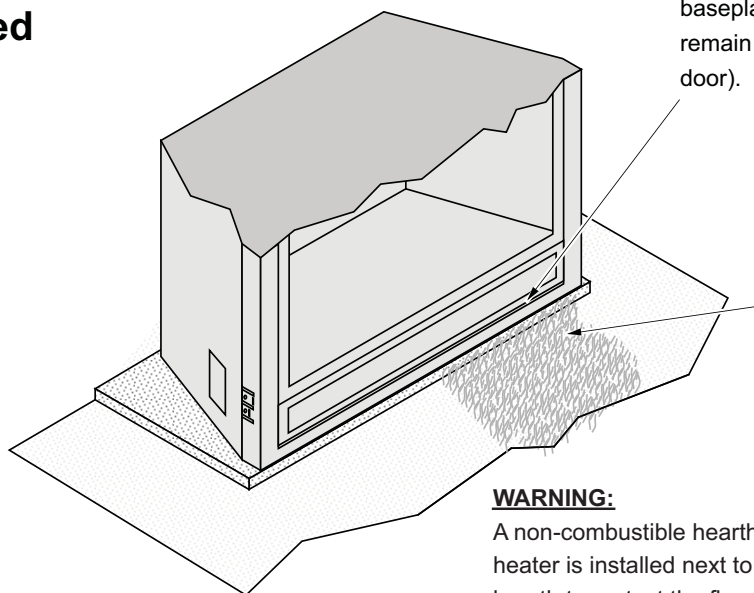


**NOTE: Measure clearances to the nearest edge of the exhaust hood.**

- Use the vinyl siding standoff when installing on an exterior with vinyl siding.
- Vent termination must not be located where it will become plugged by snow or other material

## Hearth Requirements

### Floor Mounted Fireplaces



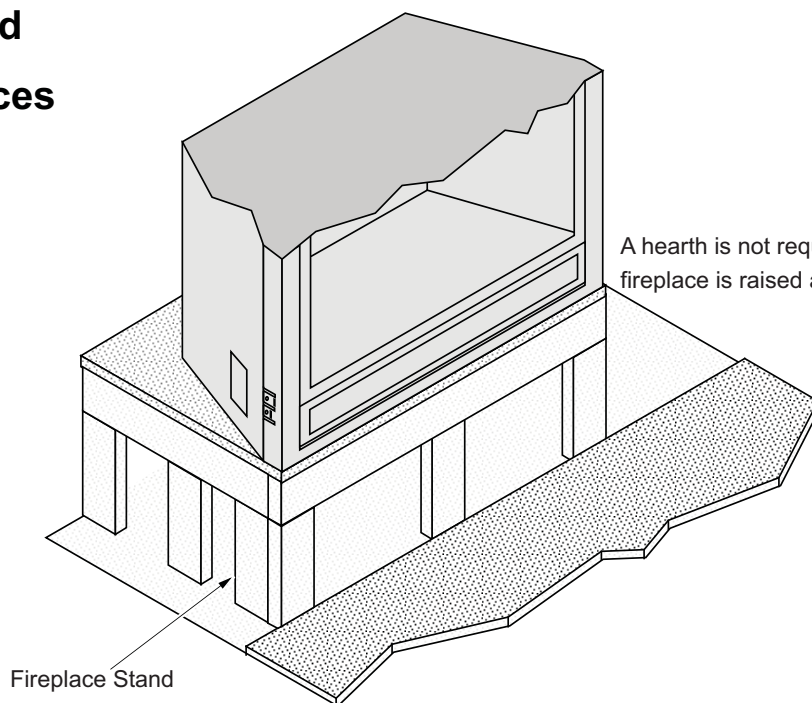
Do not build a hearth more than 1" (25mm) above the baseplate (this area must remain clear for the access door).

If installed near carpet or other combustible flooring, the fireplace must be raised so the base of the unit is above the carpet surface or flooring material.

**WARNING:**

A non-combustible hearth is not required. However, if the heater is installed next to the floor, we recommend a hearth to protect the flooring surface from discoloration or other negative impact from the heater.

### Raised Fireplaces

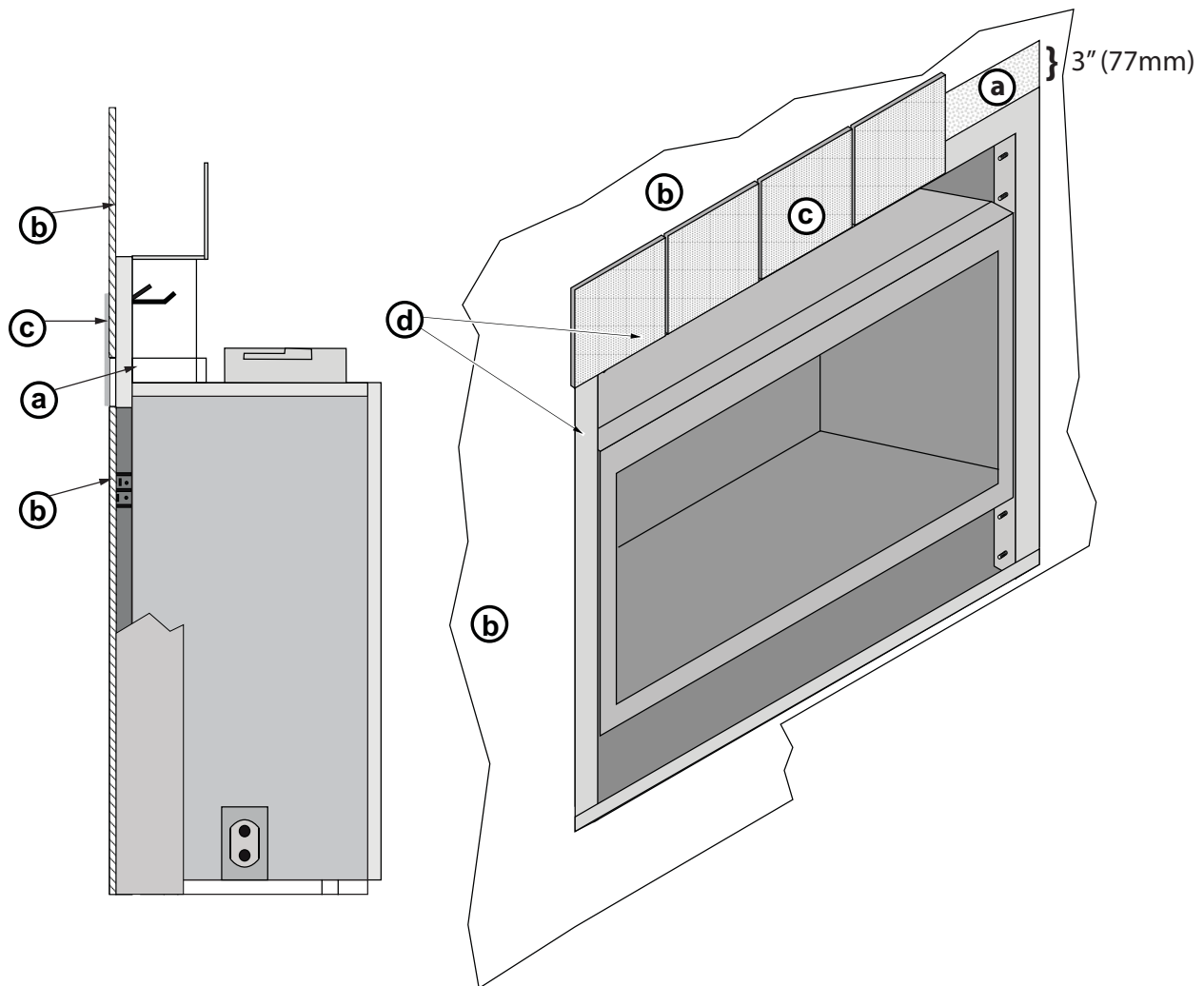


A hearth is not required when the fireplace is raised above the flooring surface.

### Facing Requirements

- The included fiber board is required and must remain attached to the fireplace (see “a” below).
- Non-combustible facing must extend 3” (77mm) above the face of the fireplace (see “c” below). Drywall or other combustible may not be placed on top of this non-combustible area.
- Drywall (or other combustible) may be placed above the non-combustible facing (see “b” below) and to the sides and below the fireplace face. This combustible facing must be a minimum 3” (77mm) above the face of the fireplace (see “b” below).
- Tile or other non-combustible facing may be placed along the perimeter of the fireplace face, but must not extend over the glass/grill opening (see “d”). This area must remain open to allow for glass frame removal and air flow.

### Drywall Installation



(a) Fiber Board (included with fireplace)

(b) Drywall (or other combustible)

(c) Tile (or other non-combustible)

(d) Perimeter of Fireplace (may be covered)

## Facing Overview



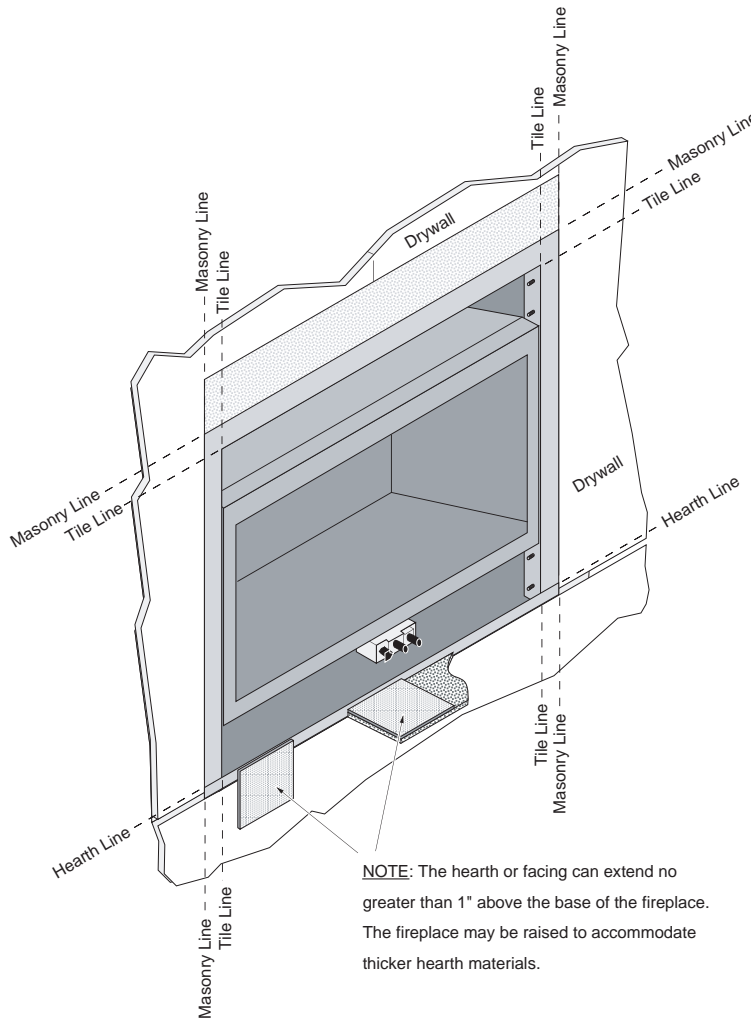
Upgrade faces are available for this fireplace and may influence facing installation. Consult with your Travis Dealer if you are using an upgraded face.

An optional non-combustible facing may be installed on the fireplace. Use the guidelines below to determine the location (also see the following pages for detailed diagrams).

**Tile Line** Any non-combustible facing under 1" (25mm) thick (see "Thin Facing" on page 28).

**Masonry Line** Any non-combustible facing over 1" (25mm) thick (see "Thick Facing" on page 30).

**Hearth Line** Non-combustible hearth/facing should be installed up to this location (1" (25mm) above the base of the fireplace). The fireplace may be raised to accommodate thicker hearth materials.



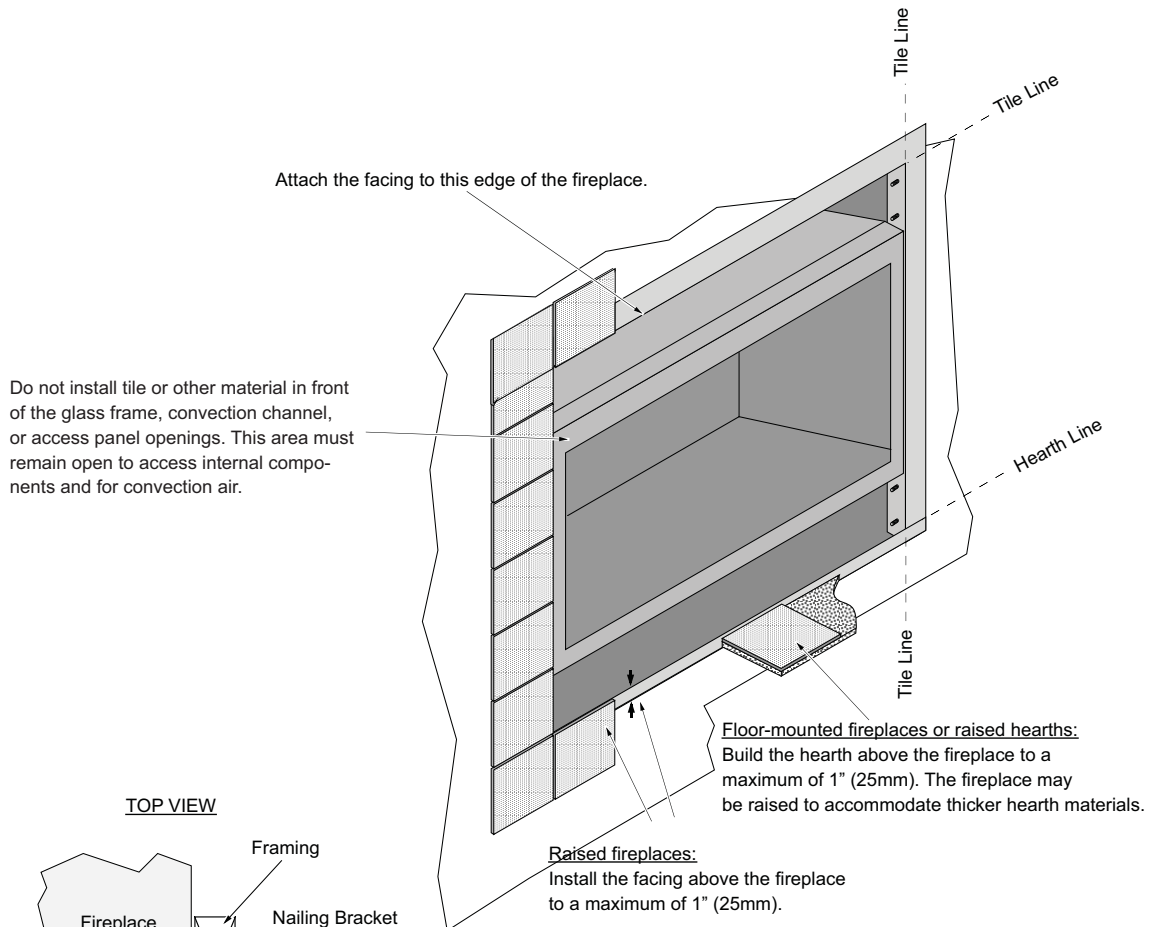
## Optional Faceplates – Sizing Chart

Name	Height	Width	Notes
FPX Artisan, Classic, Fr Ctry	29" (737mm)	36" (914mm)	61" Radius – May fit over top of tile facing
Wilmington	29" (737mm)	36" (914mm)	May fit over top of tile facing
Victorian Lace	27-1/2" (699mm)	32-3/8" (822mm)	Optional facing will abut the edge of faceplate (tile line)
Bungalow, Tree of Life	27-1/2" (699mm)	32-3/8" (822mm)	Optional facing will abut the edge of faceplate (tile line)

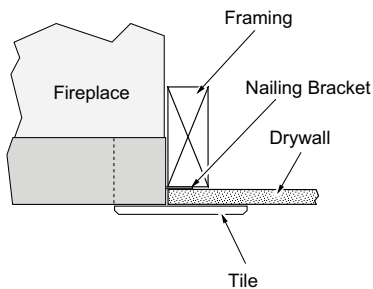
Thin Facing Installation (tile, marble, or other non-combustible under 1" (25mm) thick)



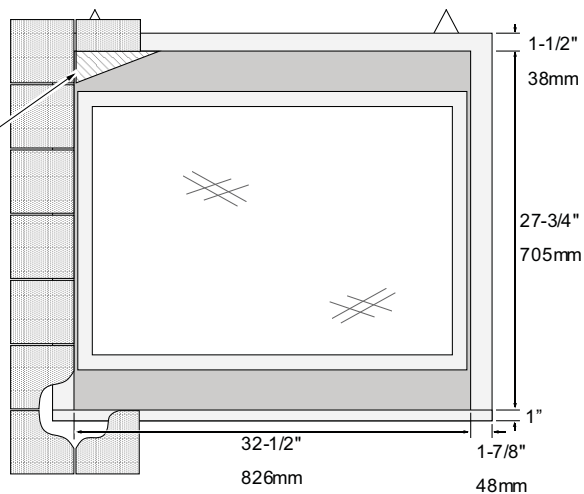
Upgrade faces are available for this fireplace and may influence facing installation. Consult with your Travis dealer if you are using an upgraded face.



TOP VIEW

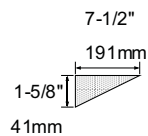


FRONT VIEW



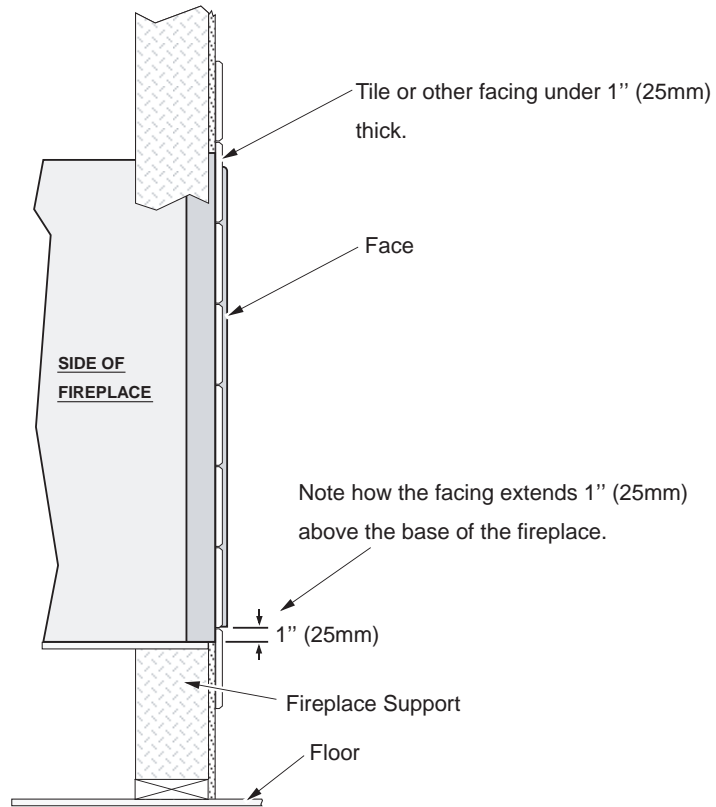
**NOTE FOR FPX FACES:**

FPX arched faces require the FPX Face Upgrade Kit (sku 98500683) and a triangular piece of facing in these upper corners. See the instructions included with the face for details.

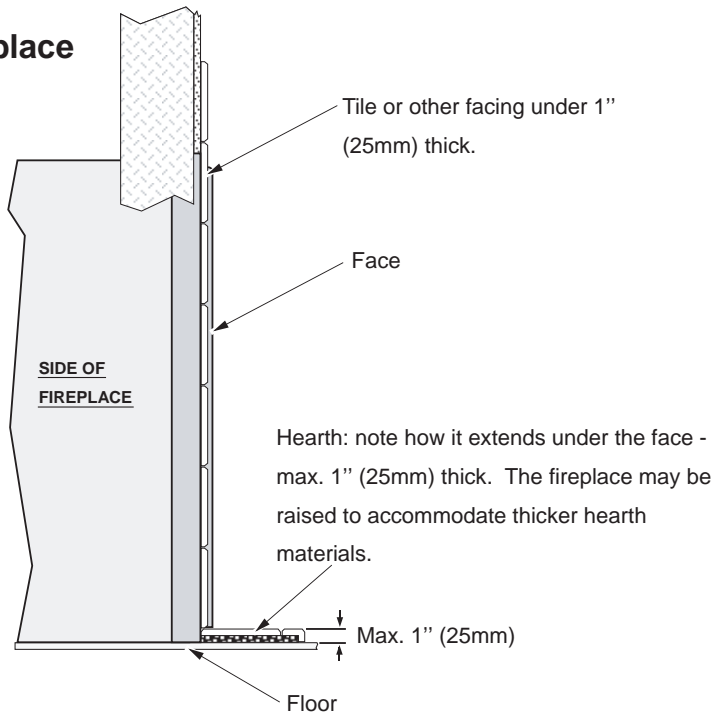


## Thin Facing Installation (tile, marble, under 1" (25mm) thick) — Side View

### Raised Fireplace (with no Hearth)



### Floor-Mounted Fireplace (with Hearth)

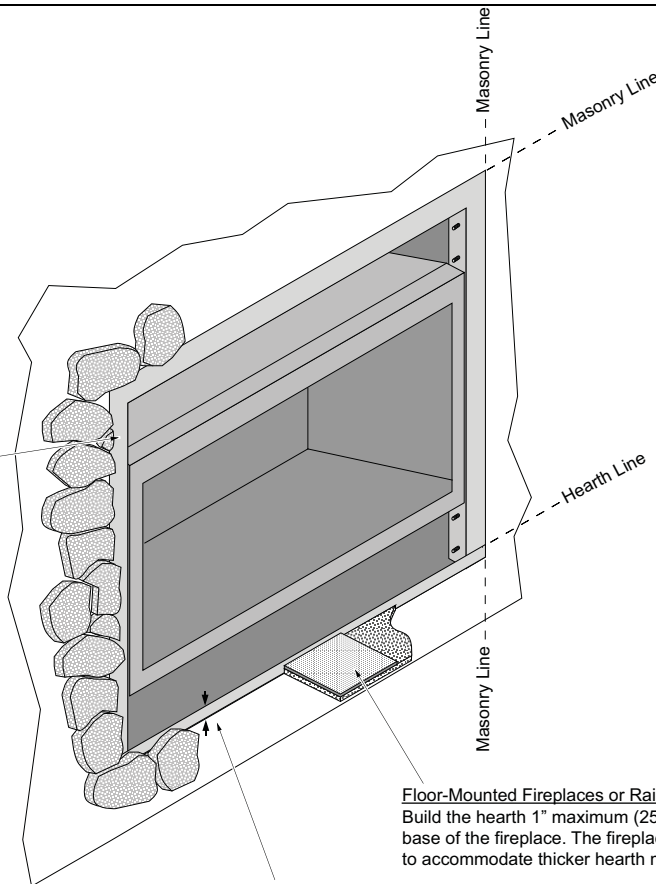


**Thick Facing Installation (stone, brick, or other non-combustible over 1" (25mm) thick)**

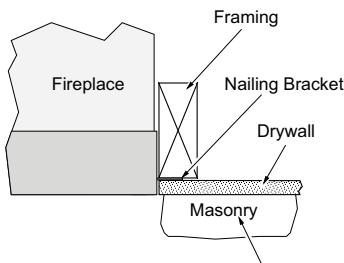


If using a Fireplace Xtrordinair (FPX) arched face, see "Thick Facing with a Fireplace Xtrordinair Arched Faces" on page 31.

Do not install masonry or other material in front of the fireplace. This area must remain open to install the face.



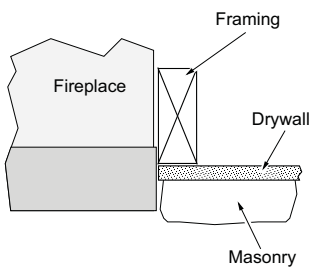
TOP VIEW - Protruding Masonry



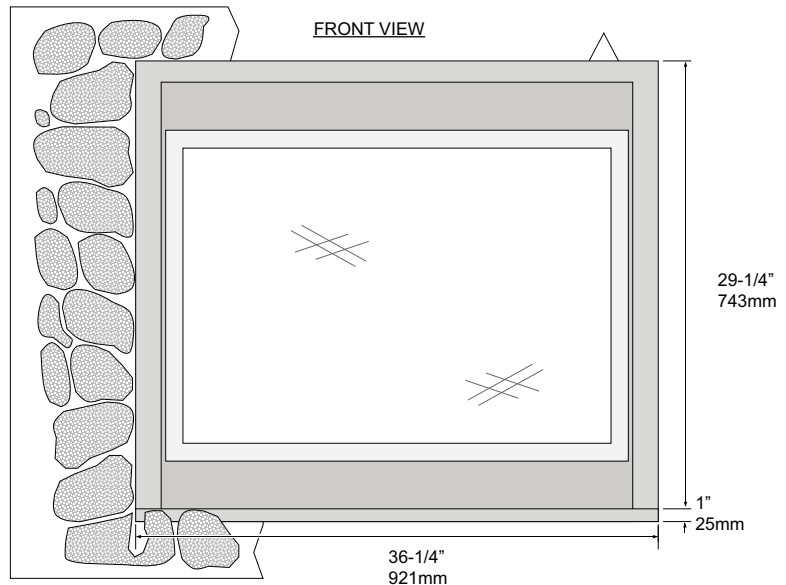
**Floor-Mounted Fireplaces or Raised Hearths:**  
Build the hearth 1" maximum (25mm) above the base of the fireplace. The fireplaces may be raised to accommodate thicker hearth materials.

**Raised Fireplaces:**  
Masonry is installed 1" (25mm) (maximum) above the base of the fireplace.

TOP VIEW - Recessed Masonry



NOTE: The nailing brackets are not used for this type of installation -- secure the fireplace to the floor with the brackets along the base of the fireplace.

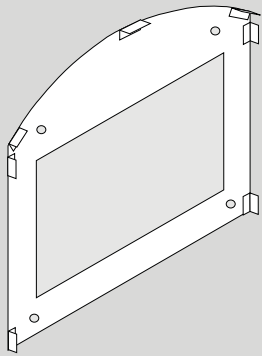


## Thick Facing with Fireplace Xtrodinair (FPX) Arched Faces

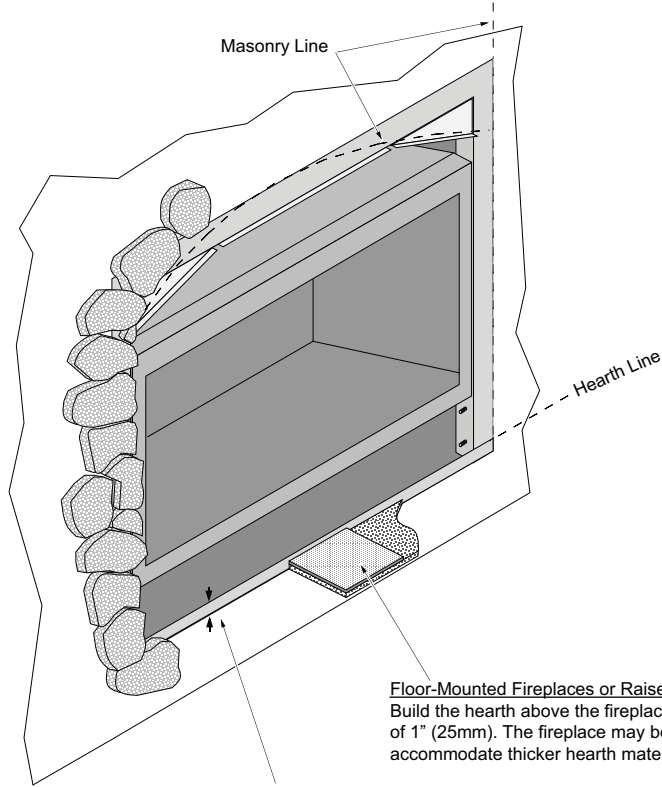
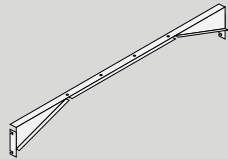


The following illustration shows facing considerations for those fireplaces utilizing FPX arched faces. The facing must be non-combustible and over 1" (25mm) in depth.

The Fireplace Xtrodinair 564 Masonry Template is recommended for masonry installation (sku 98500674). The template helps locate and support the masonry as it is installed.



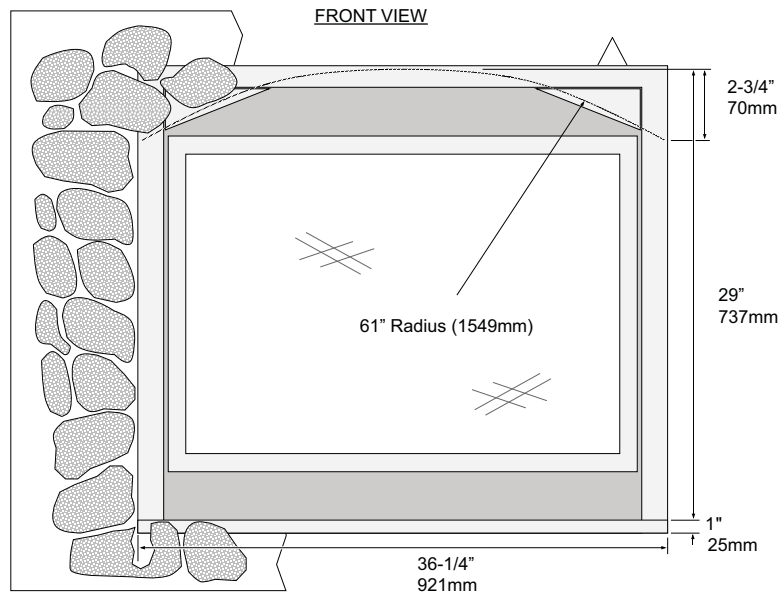
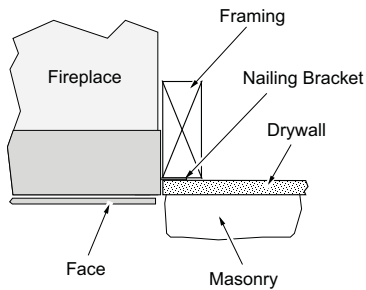
Before installing the masonry, install the FPX FaceUpgrade Kit (98500683). This kit covers the upper corners.



**Floor-Mounted Fireplaces or Raised Hearths:** Build the hearth above the fireplace to a maximum of 1" (25mm). The fireplace may be raised to accommodate thicker hearth materials.

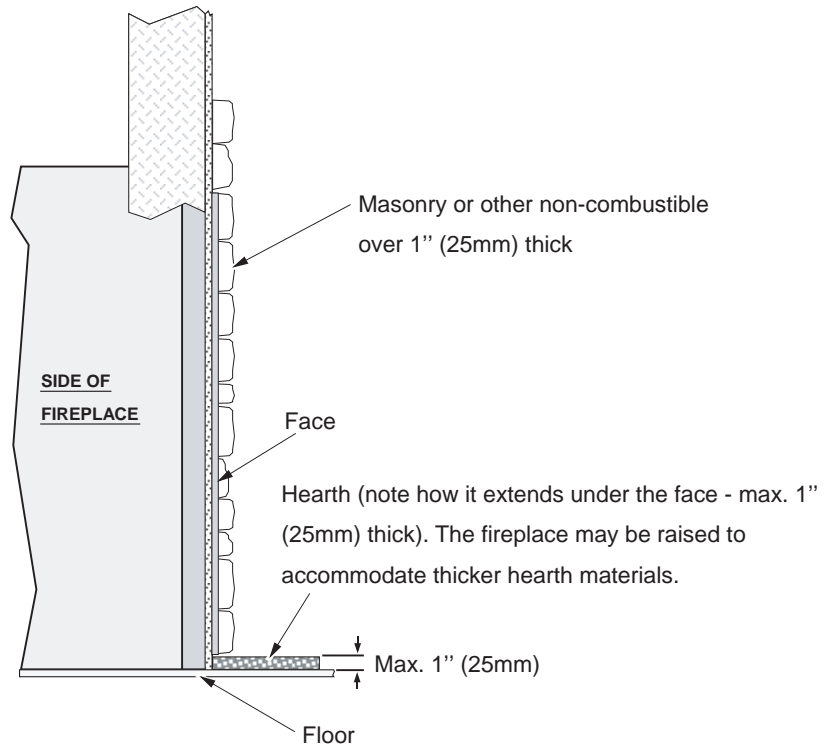
**Raised Fireplaces:** Install the masonry above the base of the fireplace to a maximum of 1" (25mm).

### TOP VIEW

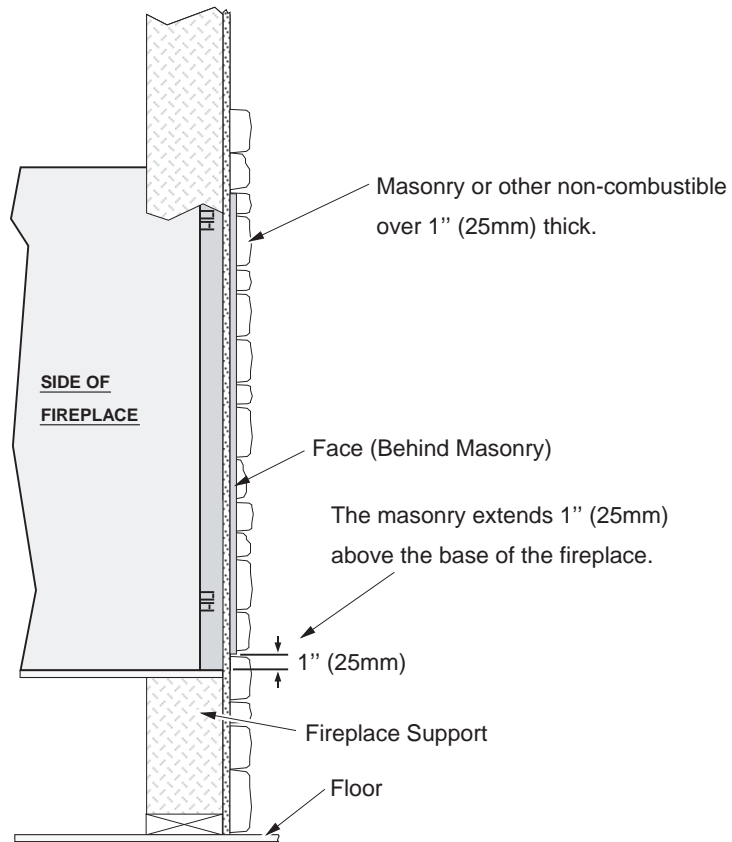


Thick Facing Installation — Side View

Floor-Mounted Fireplace  
(with Hearth)



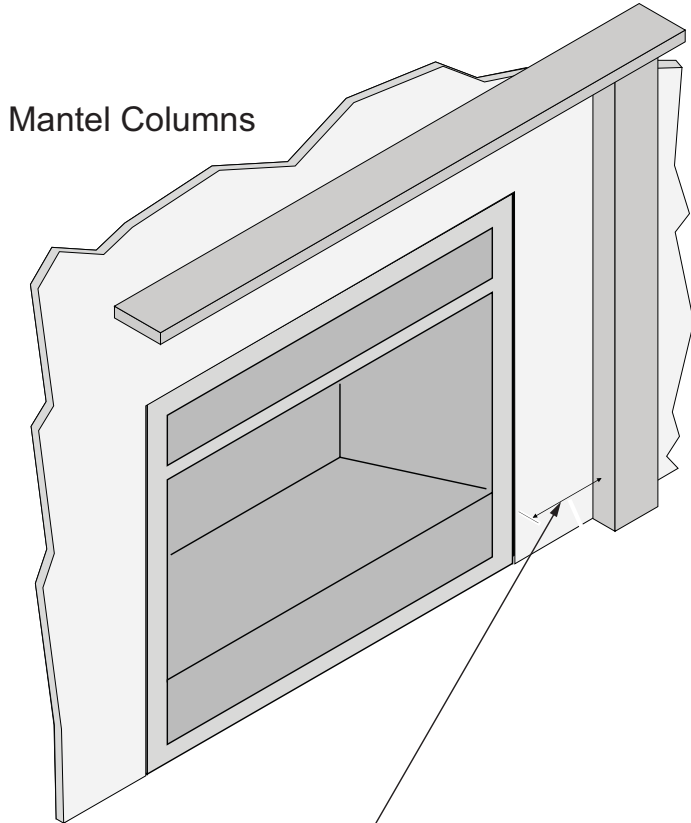
Raised Fireplace  
(with no Hearth)



## Mantel Requirements

### Combustible Mantels

- Use the table below to determine the maximum mantel depth allowed. The mantel depth (measured from the face of the fireplace) must fall in the shaded portion of the table.
- Any material that protrudes more than 3/4" (19mm) from the non-combustible facing is considered a mantel and must meet the mantel requirements.

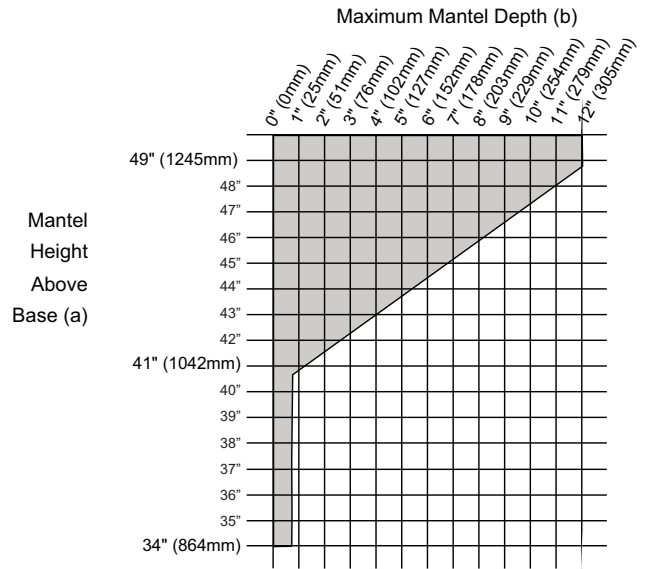


Combustible mantel columns (legs) that protrude more than 3/4" (19mm) from the glass frame must meet the 12" (229mm) sidewall clearance. If they protrude 3/4" (19mm) or less, they must meet the facing clearance, 2-1/4" (57mm) from the glass frame -- to the side of the fireplace, not in front of it.

Non-combustible mantel columns do not have a minimum clearance.

#### EXAMPLES:

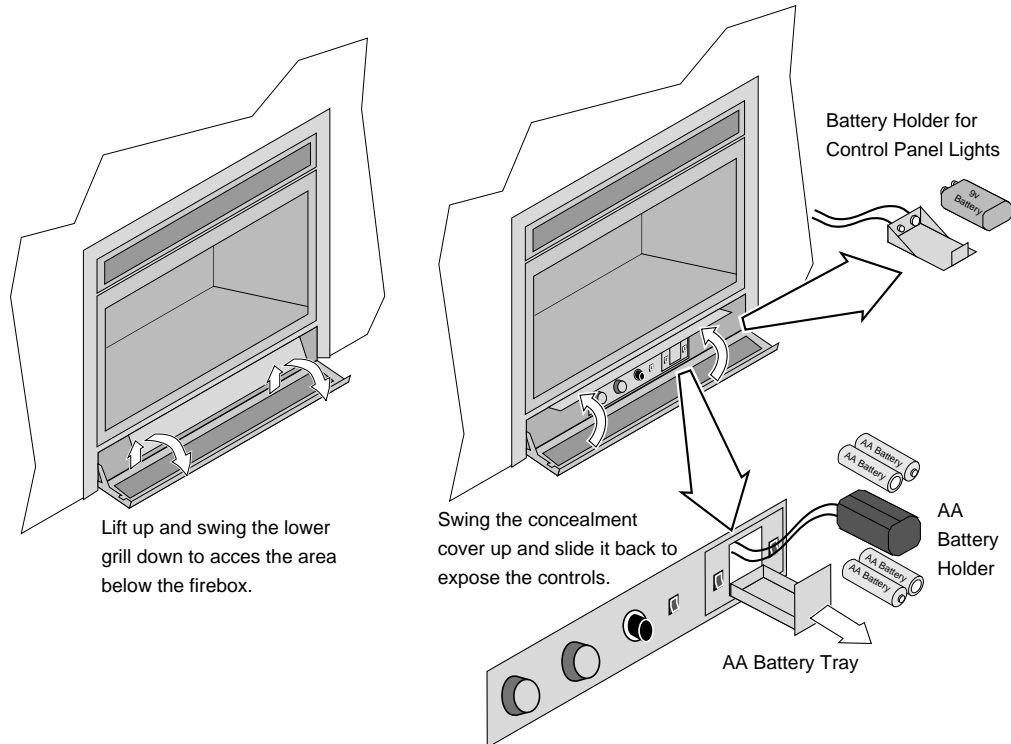
- You may have a 4" mantel at a minimum 43" above the base of the fireplace.
- At 46", the maximum mantel depth is 8".



EXAMPLE:  
You may have a 4" mantel at 43".

### Steps for Finalizing the Installation

1. Remove the glass (see page 36).  
**NOTE: If using propane (LP) convert the appliance prior to installing the logs.**
2. We recommend you purge the gas line at this time (with the glass removed). This allows gas to be detected once it enters the firebox, ensuring gas does not build up.
3. Make sure the two accent light bulbs are in place.  
**NOTE:** Take care to not touch the bulb with your fingers (use a cloth or paper towel).
4. Install the four AA batteries (included in the owner's pack) into battery holder (see the illustration below). The AA batteries act as a power backup in case the household (AC) power goes out. Install the 9v battery (included in the owner's pack) into control panel light assembly (see the illustration below). The battery holder is held in place with Velcro and may be removed for easier access.

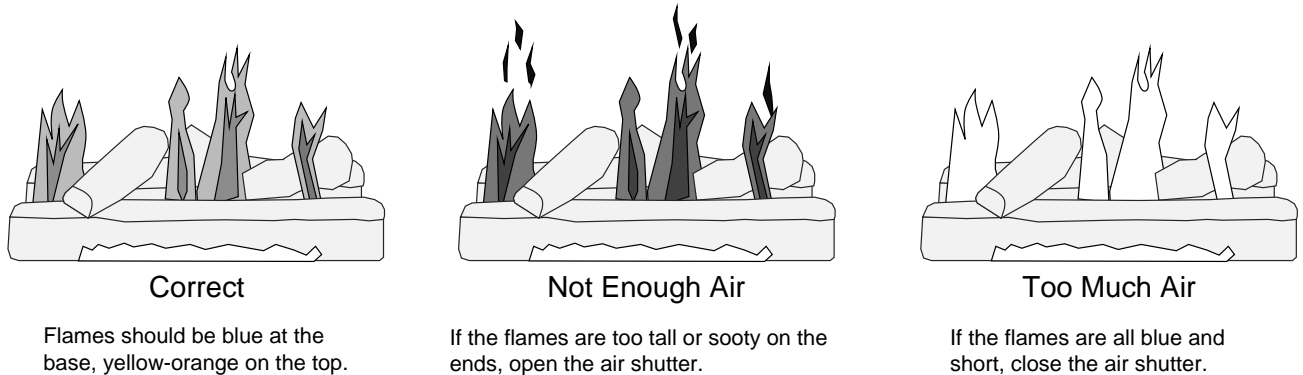


5. Install the Burner/Logs Kit (see the Burner instructions).
6. Replace the glass.
7. Start the heater.
8. Leak test all gas joints.

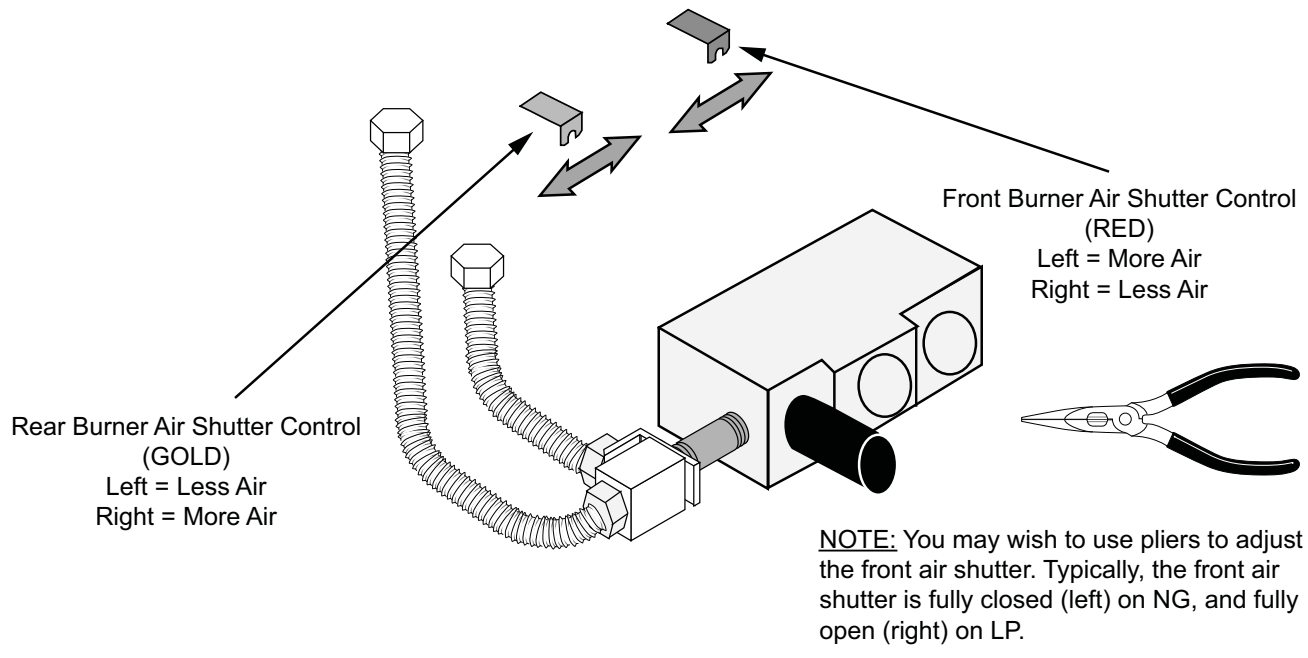
9. Check the air shutter following the directions below.

## Air Shutter Adjustment

Let the heater burn for fifteen minutes (make sure the logs and glass are in place). The flames should be yellow with no sooting. Adjust the air shutter, if necessary, to achieve the correct looking flame.



## Air Shutter Adjustment



10. Turn the flame adjust knob to its highest position - the flames should not contact the top of the firebox. Check the flame on low position. The flames should burn off of each burner hole. If the heater does not work correctly, contact your Travis dealer for a remedy.

11. Give this manual to the home owner for future reference and fully explain operation of this heater. For comprehensive operating and maintenance instructions, refer to the Owner's Manual.

**ACID WASH WARNING:** Before installing the faceplate, make sure any masonry that has been treated with acid wash has been properly neutralized (this is used primarily with brick faces). Acid wash (muriatic acid) is used to remove excess mortar. If not properly neutralized with an ammonia solution, the plated face may develop a permanent tarnish when the acid evaporates over time. Contact your dealer if uncertain your facing has been properly neutralized.

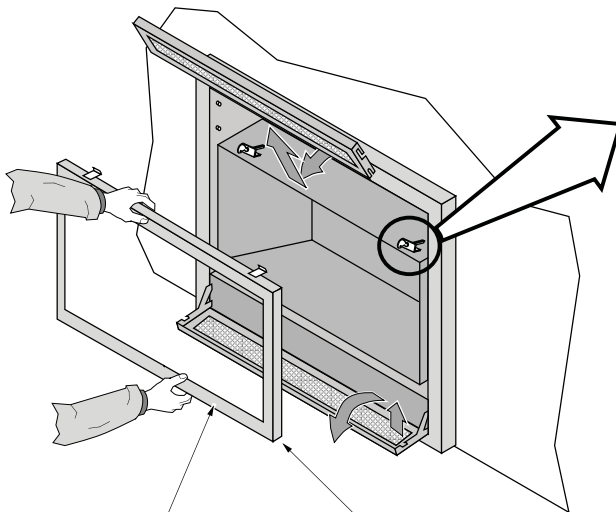
## Glass Frame Removal and Installation

**Warning:** The appliance must be completely cool before removing the glass.

**Warning:** Do not strike or slam the glass.

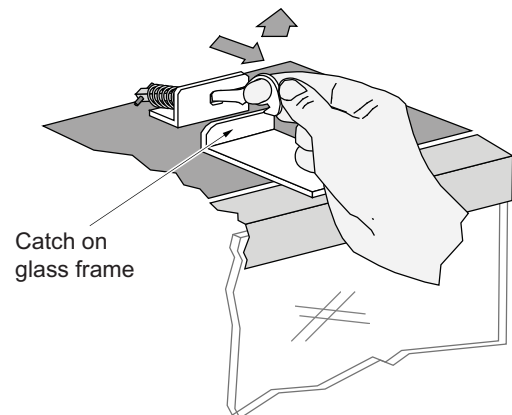
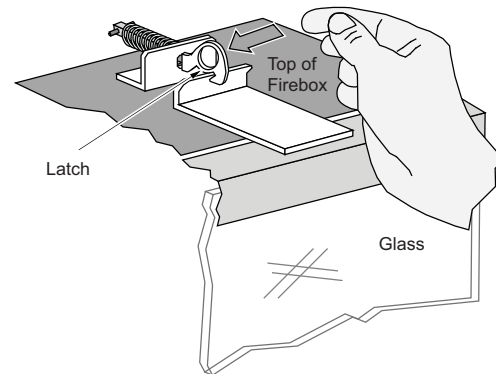
- (a) Depending on the face being used, either:
- 1) Swing the access door down and remove the top grill, or
  - 2) Remove the face by unscrewing it or lifting it off -- see the instructions included with the face for details.

Open the 4 latches holding the glass frame in place, starting with the bottom. Follow the instructions shown to the right.



- (b) Lift the glass frame up and pull it forward to remove.

**NOTE:**  
You may need to lift the glass frame while re-attaching.



### Re-Attaching the Glass Frame:

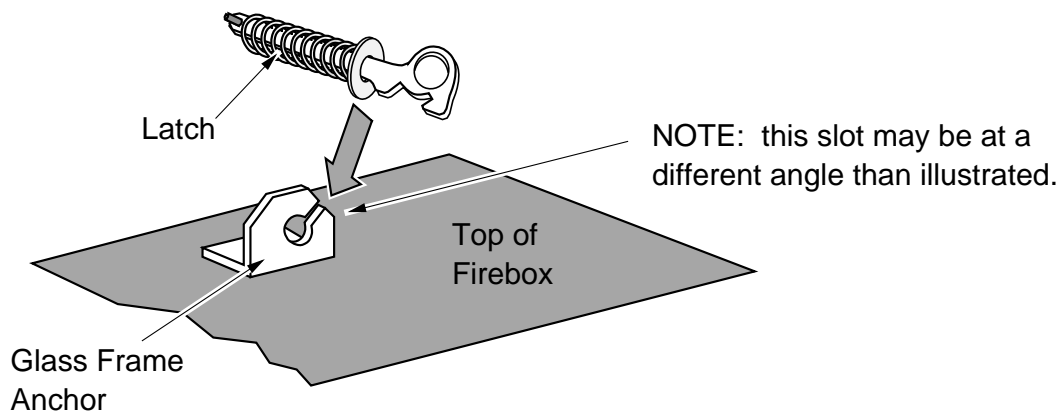
- 1) Hang the glass frame on the firebox.
- 2) While holding the frame in place, attach the upper latches (follow the instructions to the right in reverse).
- 3) Lift the glass frame slightly and attach the lower latches.

**NOTE:** Make sure the glass frame is fully in place -- it should be flush with the front of the fireplace when installed correctly.

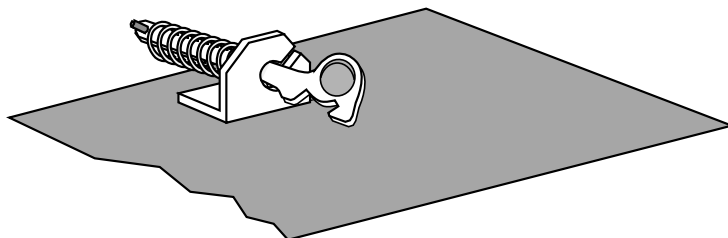
## Glass Frame Removal and Installation (continued)

The latch can come loose from glass frame anchor. This occurs when it is turned 1/4 turn when it is disengaged. Follow the directions below to re-install the latch if it becomes loose.

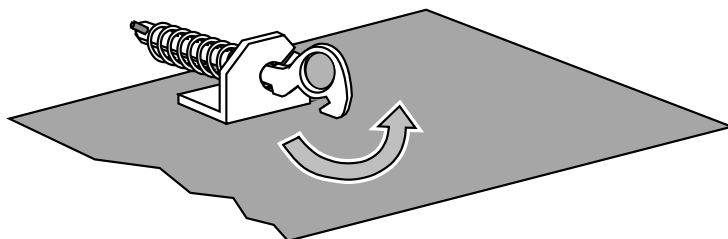
Hold the latch at an angle and insert it into the slot on the glass frame anchor.



Note how the washer on the latch fits behind the flange on the glass frame anchor.



Once fully inserted, turn the latch until it is upright.



## LP Conversion Instructions

### **WARNING**

This conversion kit shall be installed by a qualified service agency in accordance with the manufacturer's instructions and all applicable codes and requirements of the authority having jurisdiction. If the information in these instructions is not followed exactly, a fire, explosion or production of carbon monoxide may result causing property damage, personal injury or loss of life. The qualified service agency is responsible for the proper installation of this kit. The installation is not proper and complete until the operation of the converted appliance is checked as specified in the manufacturer's instructions supplied with the kit.

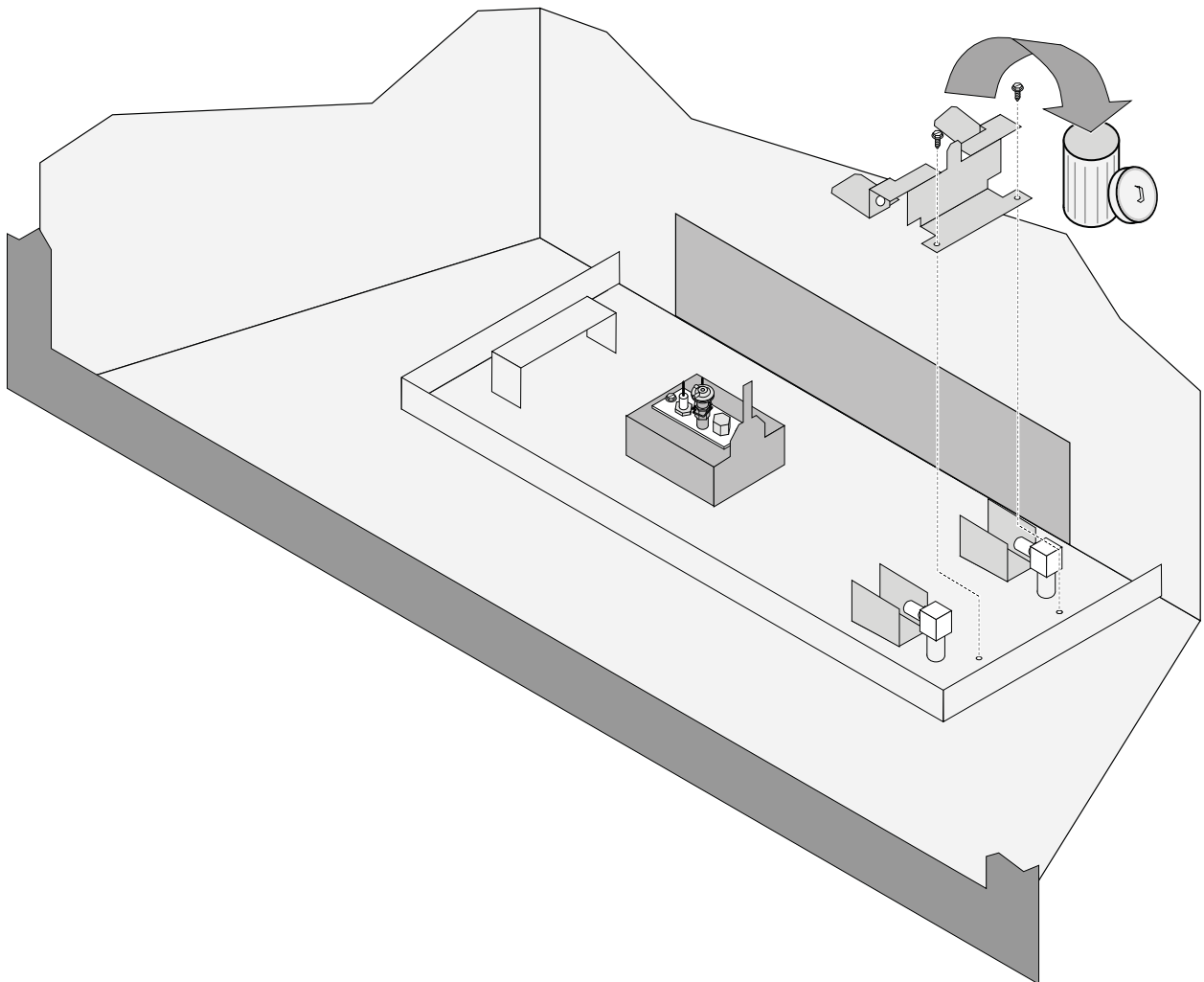


### **Install the LP conversion kit prior to installing the burner.**

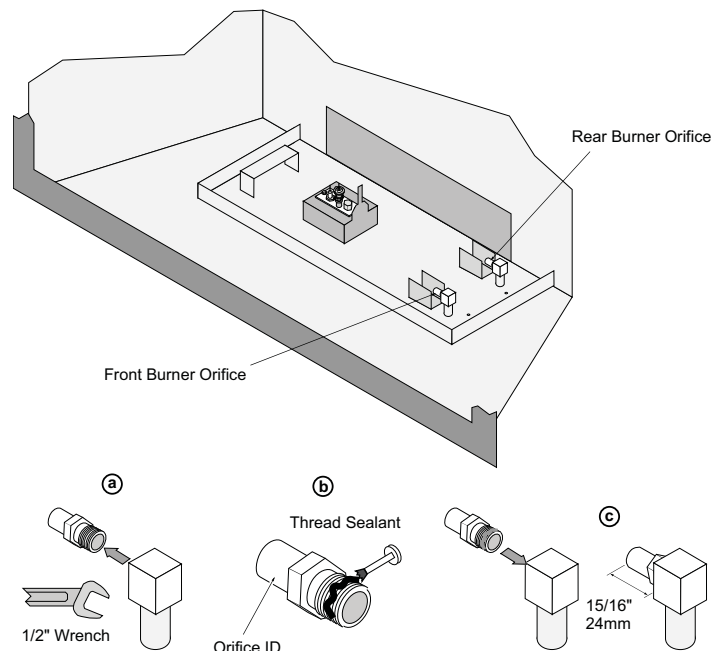
Remove the glass (see page 33).

### **Installation**

1. Remove the burner bracket as shown below.

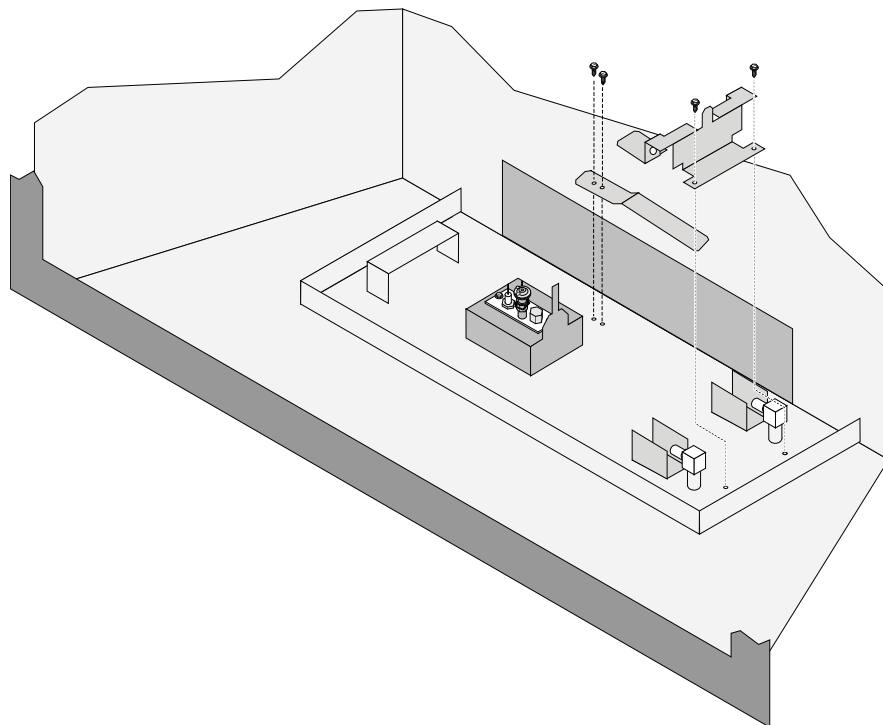


2. Replace the orifices as shown below.

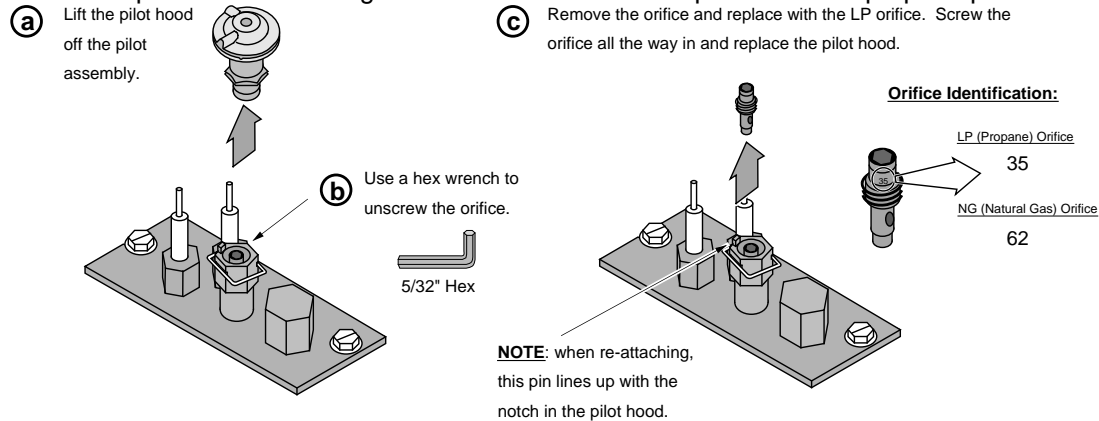


Orifice	Front	Rear
NG	#50	#44
LP	1.1mm	#55

3. Install the LP burner bracket and manifold seal plate as shown below. These components are shipped with the fireplace.



4. Remove the pilot orifice following the instructions below. Replace with the propane pilot orifice.

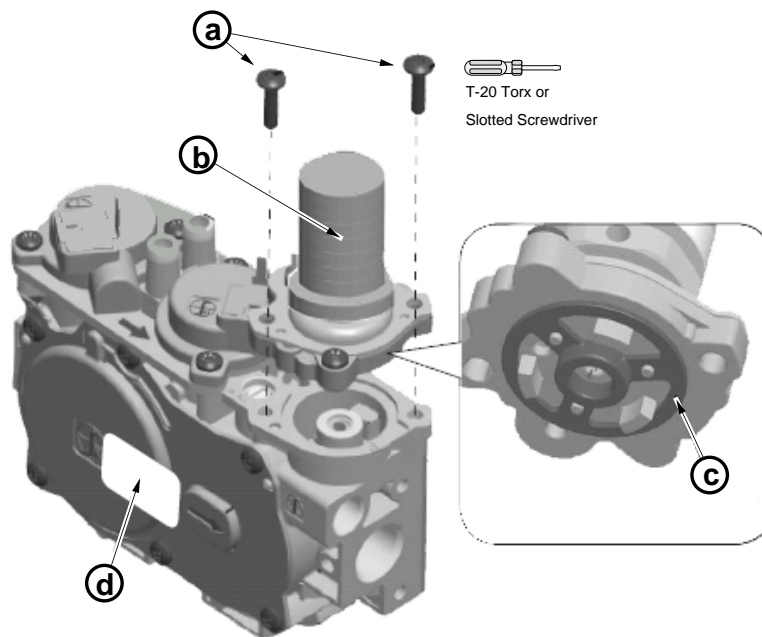


**Figure 1: Pilot Orifice Removal**

5. Remove and discard the screws (see "a" below) holding the stock regulator in place (see "b" below). Remove the stock regulator and gasket (see "c" below). Place the LP regulator in place, making sure the pre-fitted gasket (see "c" below) is in place.

**NOTE:** There is a label on the base of the regulator knob indicating regulator type (NG or LP). Secure the regulator with the screws included with the regulator – tighten to 25 lb.-in of torque (2.82 NM). Place the included label on the valve body where it can be easily seen to insure proper identification.

**NOTE:** Leak test this area after the heater is installed, gas is connected, and the main burner is lit.



**Figure 2: LP Regulator Placement**

6. **Install the burner (see the instructions included with the burner).** Replace the glass and restore the fireplace to the correct configuration.



## Index

Additional Items Required .....	7	Minimum Framing Dimensions .....	10
Air Shutter Adjustment .....	35	Nailing Brackets .....	11
Altitude Considerations .....	17	Overview .....	2
Approved Vent Configurations .....	19	Packing List.....	6
Approved Vent .....	18	Raised Fireplaces .....	9
Clearances .....	9	Recommended Installation Procedure .....	8
Corner Installations .....	12	Restrictor Position.....	19
Diffuser Plate Adjustment.....	21	Safety Precautions.....	4
Dimensions .....	6	Thick Facing Installation with FPX Arched Faces	31
Electrical Connection (required).....	15	Thick Facing Installation .....	30
Exhaust Restrictor Adjustment.....	19	Thin Facing Installation .....	28
Facing Overview .....	27	Vent Configurations with Horizontal Termination	22
Facing Requirements .....	26	Vent Configurations with Vertical Termination.....	23
Features .....	6	Vent Clearances .....	17
Fireplace Placement Requirements.....	9	Vent Installation .....	18
Fuel .....	13	Vent Requirements .....	17
Gas Inlet Pressure .....	13	Optional Wall Switch or Thermostat Installation..	16
Gas Line Connection.....	13		
Gas Line Location .....	13		
Gas Line Requirements .....	13		
Glass Frame Removal and Installation .....	36		
Hearth Requirements .....	25		
Heating Specifications.....	6		
Index.....	42		
Installation Options.....	6		
Intake Restrictor Adjustment.....	20		
Mantel Requirements.....	33		