

- Direct Vent Freestanding Stove
- Natural Gas or Propane

Listed by



AS 4553-2008 GMK10053  
IAPMO-R&T OCEANA

**WARNING:** If the information in these instructions is not followed exactly, a fire or explosion may result causing property damage, personal injury or loss of life.

- Do not store or use gasoline or other flammable vapors and liquids in the vicinity of this or any other appliance.

#### WHAT TO DO IF YOU SMELL GAS

- Do not try to light any appliance.
- Do not touch any electrical switch; do not use any phone in your building.
- Immediately call gas supplier from a neighbor's phone. Follow the gas supplier's instructions.
- If you cannot reach your gas supplier, call the fire department.
- Installation and service must be performed by a qualified installer, service agency or the gas supplier.

This appliance may be installed in an aftermarket permanently located, manufactured home (USA only) or mobile home, where not prohibited by local codes.

This appliance is only for use with the type(s) of gas indicated on the rating plate. A conversion kit is supplied with the appliance.

## **WARNING**



**HOT GLASS WILL  
CAUSE BURNS.  
DO NOT TOUCH GLASS  
UNTIL COOLED.  
NEVER ALLOW CHILDREN  
TO TOUCH GLASS.**

**Cypress GREEN  SMART™**

### Owner's Manual

**INSTALLER:** Leave this manual with the appliance.

**CONSUMER:** Retain this manual for future reference.

© Copyright 2010, T.I. \$10.00 100-01262\_000 4101110

**Dragon Wholesaling Pty. Ltd.  
Unit 2, 16 Lexington Drive  
Bella Vista NSW 2153  
Australia**

***Introduction***

We welcome you as a new owner of a Cypress stove. In purchasing a Cypress you have joined the growing ranks of concerned individuals whose selection of an energy system reflects both a concern for the environment and aesthetics. The Cypress is one of the finest home heaters the world over. This manual will explain the installation, operation, and maintenance of this stove. Please familiarize yourself with the Owner's Manual before operating your heater and save the manual for future reference. Included are helpful hints and suggestions that will make the operation and maintenance of your new stove an easier and more enjoyable experience. We offer our continual support and guidance to help you achieve the maximum benefit and enjoyment from your heater.

***Important Information***

No other Cypress Stove has the same serial number as yours. The serial number is on the listing plate chained to the gas control valve.

This serial number will be needed in case you require service of any type.

Model:           Cypress GS          

Serial Number: \_\_\_\_\_

Purchase Date: \_\_\_\_\_

Purchased From: \_\_\_\_\_

\_\_\_\_\_

\_\_\_\_\_

**Mail your Warranty Card Today,  
and Save Your Bill of Sale.**

To receive full warranty coverage, you will need to show evidence of the date you purchased your heater. Do not mail your Bill of Sale to us.

We suggest that you attach your Bill of Sale to this page so that you will have all the information you need in one place should the need for service or information occur.

## **Introduction**

Introduction & Important Information ..... 2

## **Safety Precautions**

Safety Precautions ..... 4

## **Features & Specifications**

Features ..... 6  
 Installation Options ..... 6  
 Heating Specifications ..... 6  
 Dimensions ..... 6

## **Installation**

Installation Warning ..... 7  
 Packing List ..... 8  
 Additional Items Required for Installation ..... 8  
 Installation Overview ..... 8  
 Installation Hints ..... 8  
 Stove Clearances ..... 9  
 Mobile Home Requirements ..... 10  
 Heater Placement Requirements ..... 10  
 Floor Protection Requirements ..... 10  
 Electrical Requirements ..... 10  
 Optional Wall Switch or Thermostat Installation .. 11  
 Gas Line Installation ..... 12  
 Vent Requirements ..... 13  
 Approved Vent Configurations ..... 14  
     Exhaust Restrictor Position ..... 14  
     Closing the Diffuser ..... 15  
     Exhaust Restrictor Extender ..... 16  
     Measuring Vent Lengths ..... 16  
     Rear Vent with Horizontal Termination ..... 17  
     Rear Vent with Vertical Termination ..... 18  
     Top Vent with Horizontal Termination ..... 19  
     Top Vent with Vertical Termination ..... 20  
 Vent Termination Requirements ..... 21

## **Finalizing the Installation**

Leak Test ..... 22  
 Pilot Adjustment (if necessary) ..... 22  
 Air Shutter Adjustment (if necessary) ..... 23  
 Check Flame ..... 23  
 Face and Glass Removal ..... 24  
 Media Installation (Log, Stone, or Driftwood) ..... 26

## **Operation**

Before You Begin ..... 27  
 Location of Controls ..... 27  
 Starting the Stove for the First Time ..... 28  
 Turning the Stove On and Off ..... 28  
 Comfort Control ..... 28  
 Adjusting the Flame Height ..... 28  
 Accent Light ..... 29  
 Adjusting the Standard Blower Speed ..... 29  
 Continuous Pilot / GreenSmart™ Pilot Switch ..... 29  
 Normal Operating Sounds ..... 30  
 Normal Operating Odors ..... 30

## **Maintenance**

Maintaining Your Stove's Appearance ..... 31  
 Battery Replacement ..... 31  
 Accent Light Replacement ..... 32  
 Yearly Service Procedure ..... 33  
 Troubleshooting Table ..... 34  
 Wiring Diagram ..... 35  
 Replacement Parts List ..... 36

## **Safety Label**

Safety Label ..... 37

## **Warranty**

Warranty ..... 40

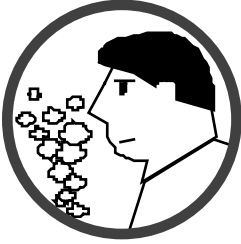
## **Optional Equipment**

LP Conversion Instructions ..... 38

## **Index**

Index ..... 44

# Safety Precautions

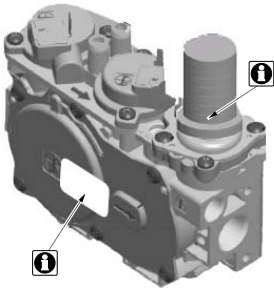


## • IF YOU SMELL GAS:

- \* Do not light any appliance
- \* Extinguish any open flame
- \* Do not touch any electrical switch or plug or unplug anything
- \* Open windows and vacate building
- \* Call gas supplier from neighbor's house, if not reached, call fire department



- This unit must be installed by a qualified installer to prevent the possibility of an explosion. Your dealer will know the requirements in your area and can inform you of those people considered qualified. The room heater should be inspected before use and at least annually by a qualified service person. More frequent cleaning may be required due to excessive lint from carpeting, bedding material, etc.
- The instructions in this manual must be strictly adhered to. Do not use makeshift methods or compromise in the installation. Improper installation will void the warranty and safety listing.



This heater is either approved for natural gas (NG) or for propane (LP). Burning the incorrect fuel will void the warranty and safety listing and may cause an extreme safety hazard. Direct questions about the type of fuel used to your dealer. Check for a label on the flame adjust knob on the gas control valve (this is the best place to check). You may also check for a label on the gas control valve body.



- Contact your local building officials to obtain a permit and information on any installation restrictions or inspection requirements in your area. Notify your insurance company of this heater as well.



- If the flame becomes sooty, dark orange in color, or extremely tall, do not operate the heater. Call your dealer and arrange for proper servicing.



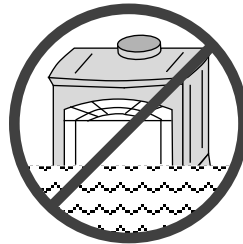
- It is imperative that control compartments, screens, or circulating air passageways of the heater be kept clean and free of obstructions. These areas provide the air necessary for safe operation.



- Do not operate the heater if it is not operating properly in any fashion or if you are uncertain. Call your dealer for a full explanation of your heater and what to expect.



- Do not store or use gasoline or other flammable liquids in the vicinity of this heater.



- Do not use this appliance if any part has been under water. Immediately call a qualified service technician to inspect the appliance and to replace any part of the control system and any gas control which has been under water.



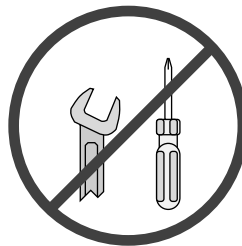
- Do not place clothing or other flammable items on or near the heater. Because this heater can be controlled by a thermostat there is a possibility of the heater turning on and igniting any items placed on or near it.



- Light the heater using the built-in igniter. Do not use matches or any other external device to light your heater.
- Allow the heater to cool before carrying out any maintenance or cleaning.



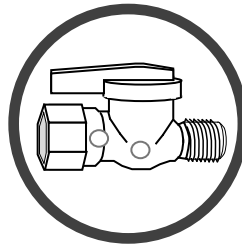
- The viewing glass should be opened only for lighting the pilot or conducting service.
- Any safety screen or guard removed for servicing must be replaced prior to operating the heater.
- Do not operate with the glass removed or damaged.



- Never remove, replace, modify or substitute any part of the heater unless instructions are given in this manual. All other work must be done by a trained technician. Don't modify or replace orifices.



- Operate the heater according to the instructions included in this manual.
- If the main burners do not start correctly turn the gas off at the gas control valve and call your dealer for service.



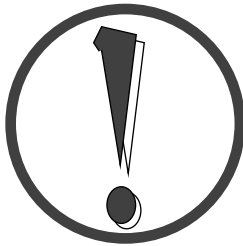
- Instruct everyone in the house how to shut gas off to the appliance and at the gas main shutoff valve. The gas main shutoff valve is usually next to the gas meter or propane tank and requires a wrench to shut off.



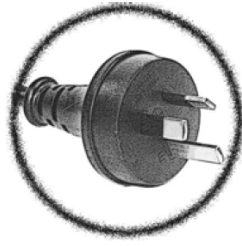
- This unit is not for use with solid fuel
- Do not place anything inside the firebox except approved Travis media (see "Additional Items Required" on page 8).



- Do not throw this manual away. This manual has important operating and maintenance instructions that you will need at a later time. Always follow the instructions in this manual.



- Travis Industries, Inc. grants no warranty, implied or stated, for the installation or maintenance of your heater, and assumes no responsibility of any consequential damage(s).**



- Plug the heater into a 240V grounded electrical outlet. Do not remove the grounding plug.
- Don't route the electrical cord in front of, over, or under the heater



- Children and adults should be alerted to the hazards of high surface temperature and should stay away to avoid burns or clothing ignition. Young children should be carefully supervised when they are in the same room as the appliance. Toddlers, young children and others may be susceptible to accidental contact burns. A physical barrier is recommended if there are at risk individuals in the house. To restrict access to a fireplace or stove, install an adjustable safety gate to keep toddlers, young children and other at risk individuals out of the room and away from hot surfaces.

**Features:**

- Works During Power Outages (battery backup system)
- High Efficiency
- Convenient Operating Controls
- Variable-Rate Heat Output
- Accent Light

**Installation Options:**

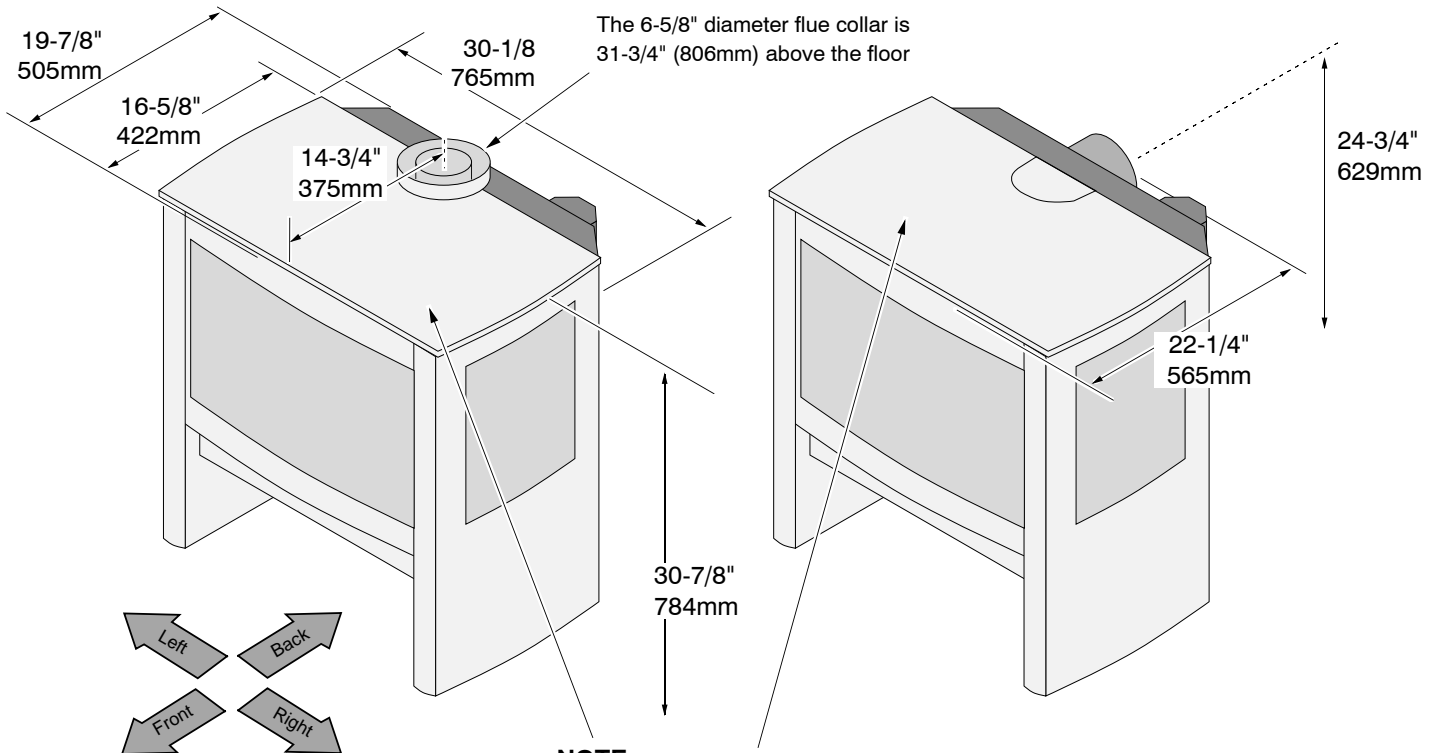
- Freestanding Stove
- Horizontal or Vertical Vent
- Residential or Mobile Home
- Straight or Corner Placement
- Bedroom Approved

**Heating Specifications:**

Approximate Heating Capacity (in square feet)\* ..... 1,200 – 2,000 with Blower, 800 – 1,600 Without  
 Maximum Input .....42.2 MJ/h

- Heating capacity will vary depending on the home's floor plan, degree of insulation, and the outside temperature.

**Dimensions & Weight:**



**NOTE:**

Measure side, corner, and back clearances from the stove top.

Weight 280 Lbs. (127 Kg)

**Electrical Specifications (for Blower Standard)**

Electrical Rating ..... 240 Volts, 0.75 Amps, 60 Hz (180 watt)

**Fuel:**

This heater is shipped in natural gas (NG) configuration but may be converted to propane (LP) using the included LP conversion kit. The sticker on top of the gas control valve will verify the correct fuel.



## **Installation Warnings:**

- ! Failure to follow all of the requirements may result in property damage, bodily injury, or even death.
- ! This heater must be installed by a qualified installer who has gone through a training program for the installation of direct vent gas appliances.
- ! This appliance must be installed in accordance with all local codes, if any; if not, in U.S.A. follow ANSI Z223.1 and NFPA 54(88), in Canada follow CSA B149.1.
- ! A manufactured home (USA only) or mobile home OEM installation must conform with the Manufactured Home Construction and Safety Standard, Title 24 CFR, Part 3280, or, when such a standard is not applicable, the Standard for Manufactured Home Installations, ANSI/NCSCBS A225.1, or Standard for Gas Equipped Recreational Vehicles and Mobile Housing, CSA Z240.4.
- ! This stove is designed to operate on natural gas or propane (LP).
- ! All exhaust gases must be vented outside the structure of the living-area. Combustion air is drawn from outside the living-area structure.
- ! Notify your insurance company before hooking up this stove.
- ! The requirements listed below are divided into sections. All requirements must be met simultaneously. The order of installation is not rigid – the qualified installer should follow the procedure best suited for the installation.

### **Safety Warnings:**

- **DO NOT PLACE ARTICLES ON OR AGAINST THIS APPLIANCE.**
- **DO NOT USE OR STORE FLAMMABLE MATERIALS NEAR THIS APPLIANCE.**
- **DO NOT SPRAY AEROSOLS IN THE VICINITY OF THIS APPLIANCE WHILE IT IS IN OPERATION.**
- **DO NOT MODIFY THIS APPLIANCE.**
- **THIS INSTALLATION MUST CONFORM WITH THE FOLLOWING:**
  - Manufacturer's Installation instructions
  - Local Gas Fitting Regulations
  - Municipal Building Codes,
  - Refer to AS/NZS 5601.1 for Gas Installations.
  - S.A.A. Wiring Code
  - Local Electrical Regulations
  - Any other statutory regulations
- **NOT SUITABLE FOR MARINE USE.**
- **NOT INTENDED FOR FIREPLACE INSERT.**
- **APPLIANCES INCORPORATING A LIVE FUEL EFFECT, AND DESIGNED TO OPERATE WITH LUMINOUS FLAMES, MAY EXHIBIT SLIGHT CARBON DEPOSITION.**

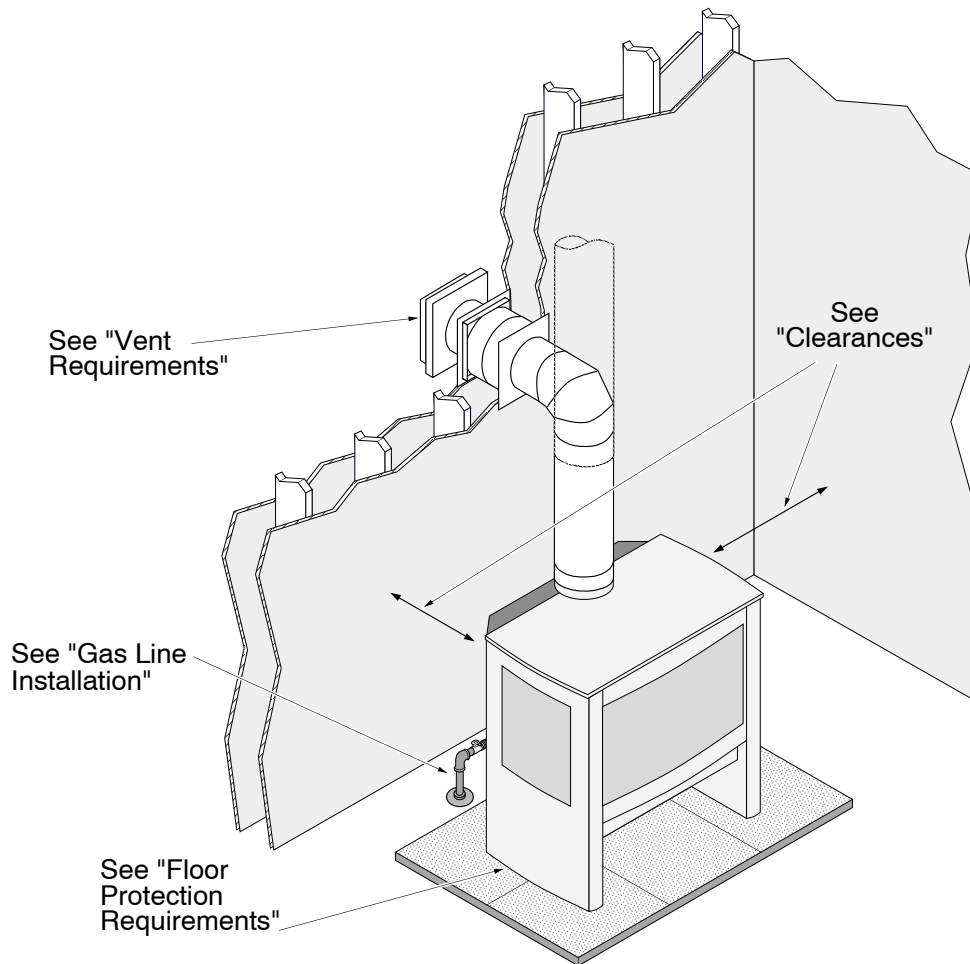
## ***Packing List***

- Propane Conversion Kit
- Touch-Up Paint
- ½" FPT to 3/8" Flare Fitting
- Rear Vent Cover
- Driftwood/Stone Conversion Parts

## ***Additional Items Required***

- Vent (see "Venting Requirements" for details)
- Gas Line Equipment (shutoff valve, pipe, etc.)
- Approved Travis Media (Logs 94500561, Driftwood 94500562, or Stones 94700733)

## ***Installation Overview***

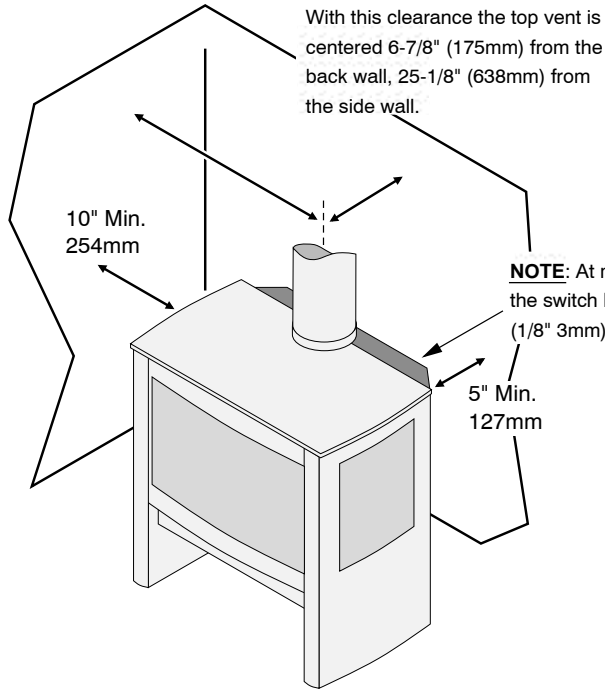


## ***Installation Hints:***

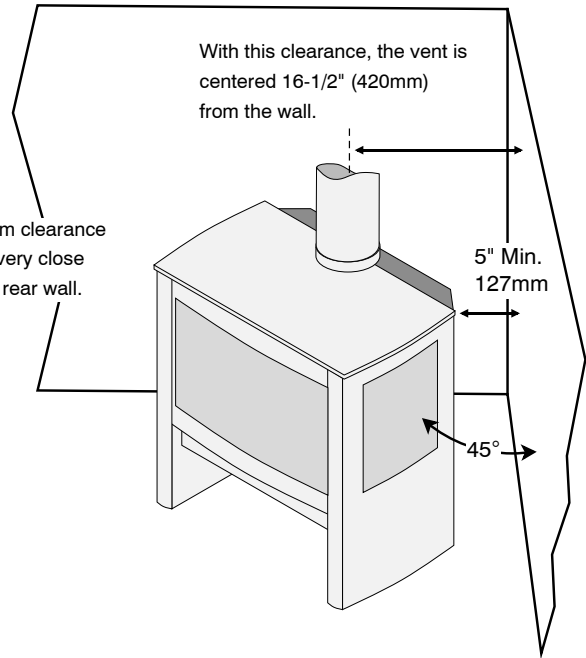
- Recommended Optional Equipment Installation Order:
  - Rear Vent Conversion (if applicable)
  - GreenSmart Remote
  - Blower Standard
  - LP Conversion and other optional equipment (fireback)
- Install the media (logs, driftwood, or stone set) last - they are fragile.
- When determining the location of the stove, locate the wall studs (for horizontal penetrations) and ceiling trusses (for vertical penetrations). You may wish to adjust the stove position slightly to ensure the vent does not intersect with a framing member.
- Fumes and smoke from the paint curing and oil burning off the steel may occur the first time you start this heater. This is normal. We recommend you open windows to vent the room.

## Stove Clearances

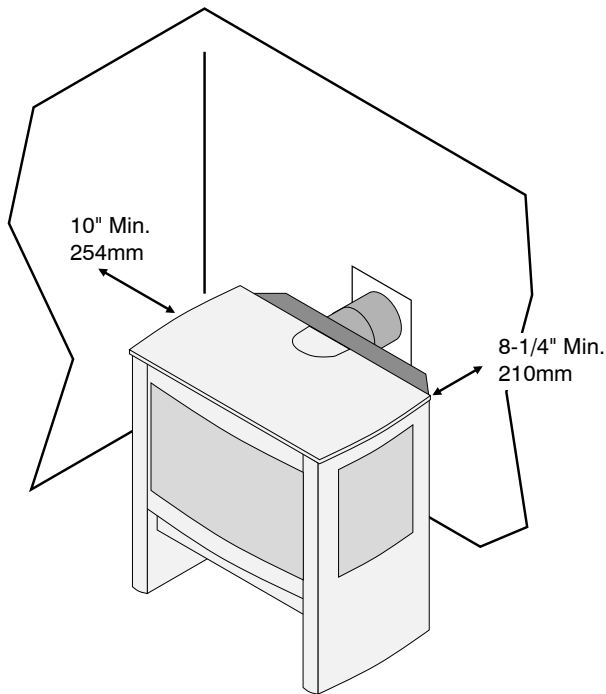
### Top Vent Straight Installations



### Top Vent Corner Installations



### Rear Vent (Straight) Installations



### ***Heater Placement Requirements***

---

- Heater must be installed on a level surface capable of supporting the heater and vent.
- Due to the high temperature, the heater should be located out of traffic and away from furniture and draperies.
- When placed in a location where the floor to ceiling height is under 7 feet, the installation is considered an alcove and must meet the following requirements:
  - The alcove floor to ceiling height must be at least 48" tall
  - The alcove must not be more than 36" deep before the ceiling returns to 7'
  - The alcove must be at least 50-1/8" wide
- The heater must not be placed so the vents below or above the door, along the sides of heater, or along the back of the heater can become blocked.
- This heater may be placed in a bedroom. Please be aware of the large amount of heat this appliance produces when determining a location.

### ***Mobile Home Requirements***

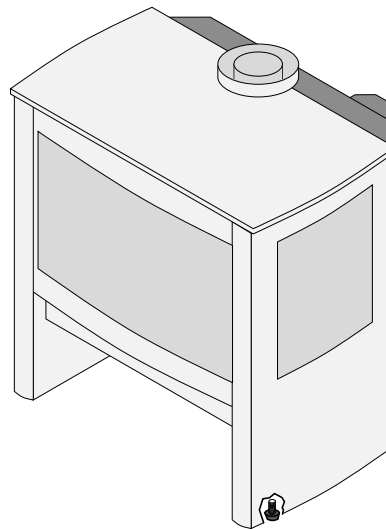
---

- When the stove is installed in a mobile home, it must be bolted to the floor and the appliance grounded.

### ***Floor Protection Requirements***

---

- When the stove is installed directly on carpeting, tile or other combustible material other than wood flooring, the appliance shall be installed on a metal or wood panel extending the full width and depth of the appliance. Make sure the four rubber-tipped bolts below the stove contact the floor (they dampen any noise that may transmit through the hearth). Do not adjust with weight on the bolts, the rubber tips may tear.



### ***Electrical Requirements***

---

- Plug the stove into a grounded receptacle supplying a minimum 1.5 amps (240 Volts, 60 Hz, 180 watts).
- The appliance, when installed, must be electrically grounded in accordance with local codes.

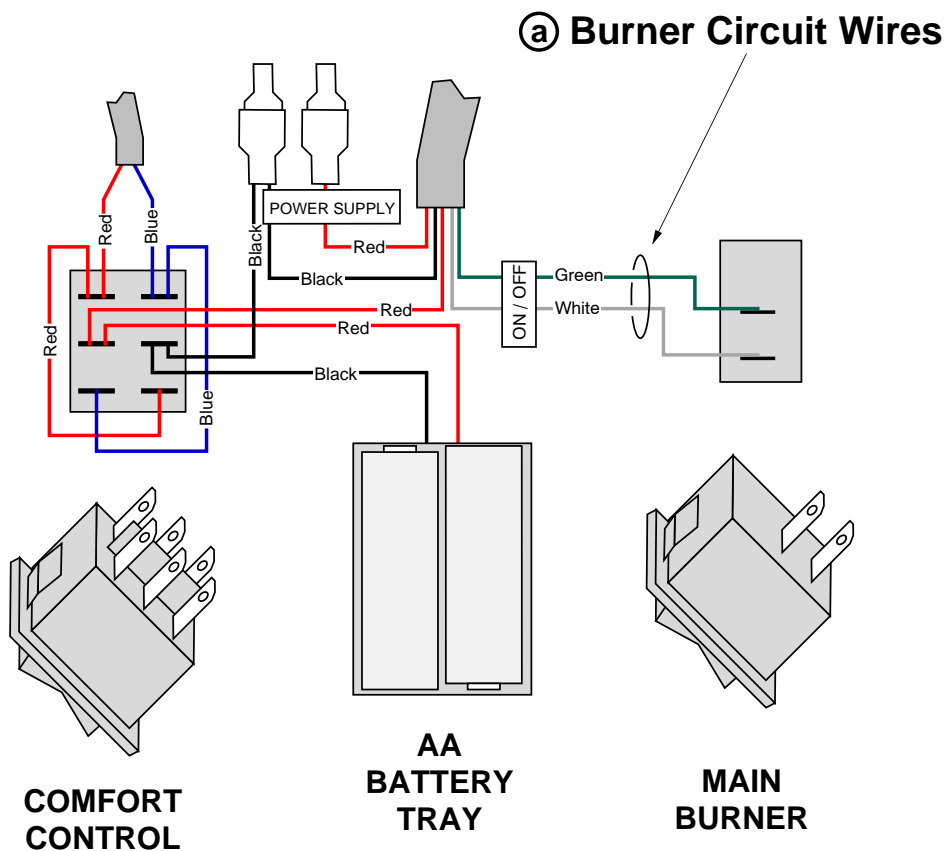
## Optional Wall Switch or Thermostat Installation



Do not connect 240 VAC to the gas control valve or wiring system of this stove. The switch must be installed by a qualified installer.

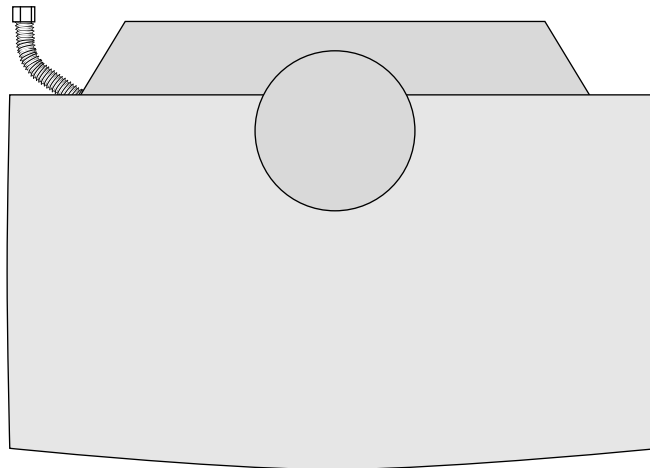
This stove may be installed with an optional wall switch or thermostat. The thermostat (or on/off switch) wires will interrupt the burner circuit (see item “a” below).

1. If you wish to bypass the switch, connect the thermostat (on/off switch) wires directly to the green and white wires (see “a” below).
2. If you wish keep the switch and connect the wires in parallel or series, use wire splitters.



**Gas Line Installation**

- ! The gas line must be installed in accordance with all local codes.
- ! The heater and gas control valve must be disconnected from the gas supply piping during any pressure testing of that system at test pressures in excess of 1/2 psig (3.45 kPA). For pressures under 1/2 psig (3.45 kPA), isolate the gas supply piping by closing the manual shutoff valve.
- This heater is designed for natural gas but can be converted to propane. Check the sticker on top of the gas control valve to verify the correct fuel is used (see page 4).
- Leak test all gas line joints and the gas control valve prior to and after starting the heater.
- The location of the gas inlet is shown below
- A manual shutoff valve is required for installation (it must be located within 3' (914mm) of the heater).
- This stove is shipped with a 18" (457mm) long, 3/8" (9.5mm) diameter flex gas line attached to an elbow on the gas control valve that is routed to the rear left of the appliance (see illustration below). It protrudes approximately 4" (102mm) from the rear of the stove. The flex accepts a 3/8" (9.5mm) flare fitting.

**Gas Inlet Pressure**

- With the heater off, the inlet pressure must meet the requirements listed in the table below
- If the pressure is not sufficient, make sure the piping used is large enough and the total gas load for the residence does not exceed the amount supplied.
- The supply regulator (the regulator that attaches directly to the residence inlet or to the propane tank) should supply gas at the suggested input pressure listed below. Contact the local gas supplier if the regulator is at an improper pressure.

	<b>Standard Input Pressure</b>
<b>Natural Gas</b>	7" W.C. (1.74 Kpa)
<b>Propane</b>	13" W.C. (3.23 Kpa)

## Vent Requirements

- The gas appliance and vent system must be vented directly to the outside of the building, and never be attached to a chimney serving a separate solid fuel or gas-burning appliance. Each direct vent gas appliance must use its own separate vent system.
- In addition to the requirements listed here, follow the requirements provided with the vent.
- When the vent passes through a wall a wall thimble is required. When the vent passes through a ceiling a support box or firestop is required. When the vent passes through the roof, a roof flashing and storm collar are required. Follow the instructions provided with the vent for installing these items. NOTE: Wall thimbles may have different dimensions than what is required by this heater.
- The vent must maintain the required clearance to combustible materials to prevent a fire. Do not fill air spaces with insulation.

<u>Minimum Clearance</u>	Above, Below or Side of Vent
Top Vent Configuration	1" (26mm)
Rear Vent Configuration	1"(26mm)

- Installation instructions for Simpson Dura-Vent may be found at [www.duravent.com](http://www.duravent.com)

## Altitude Considerations

- Failure to adjust the air shutter properly may lead to improper combustion which can create a safety hazard. Consult your dealer or installer if you suspect an improperly adjusted air shutter.
- This heater has been tested at altitudes ranging from sea level to 6,000 feet (1,800 M). In this testing we have found that the heater, with its standard orifice, burns correctly with just an air shutter adjustment.

## Approved Vent – Top Vent Configuration

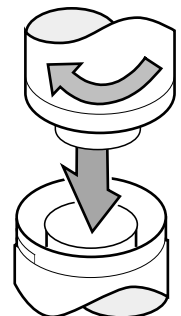
- Use 6-5/8" (168mm) diameter Simpson Dura-Vent Direct-Vent Pro (or GS)\*.  
\* Other vent may be approved with this stove. Check with the vent manufacturer for details.
- Always use the high-wind cap (part # 46DVA-VCH or 46DVA-HC).

## Approved Vent – Rear Vent Configuration

- **WITH VENT RISE:** Use Travis Industries Rear Vent Conversion ( Part # 94400998) with 8" (204mm) diameter Simpson Dura-Vent Direct-Vent Pro (or GS)\*. Always use the high-wind cap (part # 58DVA-VCH or 58DVA-HC).  
\* Other vent may be approved with this stove. Check with the vent manufacturer for details.

## Vent Installation

- Slide the vent sections together and turn 1/4 turn until the sections lock in place.
- Screws are not required to secure the vent. However, three screws may be used to secure vent sections together if desired.
- High temperature sealant is recommended at the appliance starter section connection (use high-temperature silicone or Mill-Pac®).
- If disassembly is required, at time of re-assembly check to see if the vent creates a tight fit. If it does not, apply high temperature sealant to the joints of the affected sections.
- Horizontal sections require a 1/4" (7mm) rise every 12" (305mm) of travel
- Horizontal sections require non-combustible support every three feet (e.g.: plumbing tape)

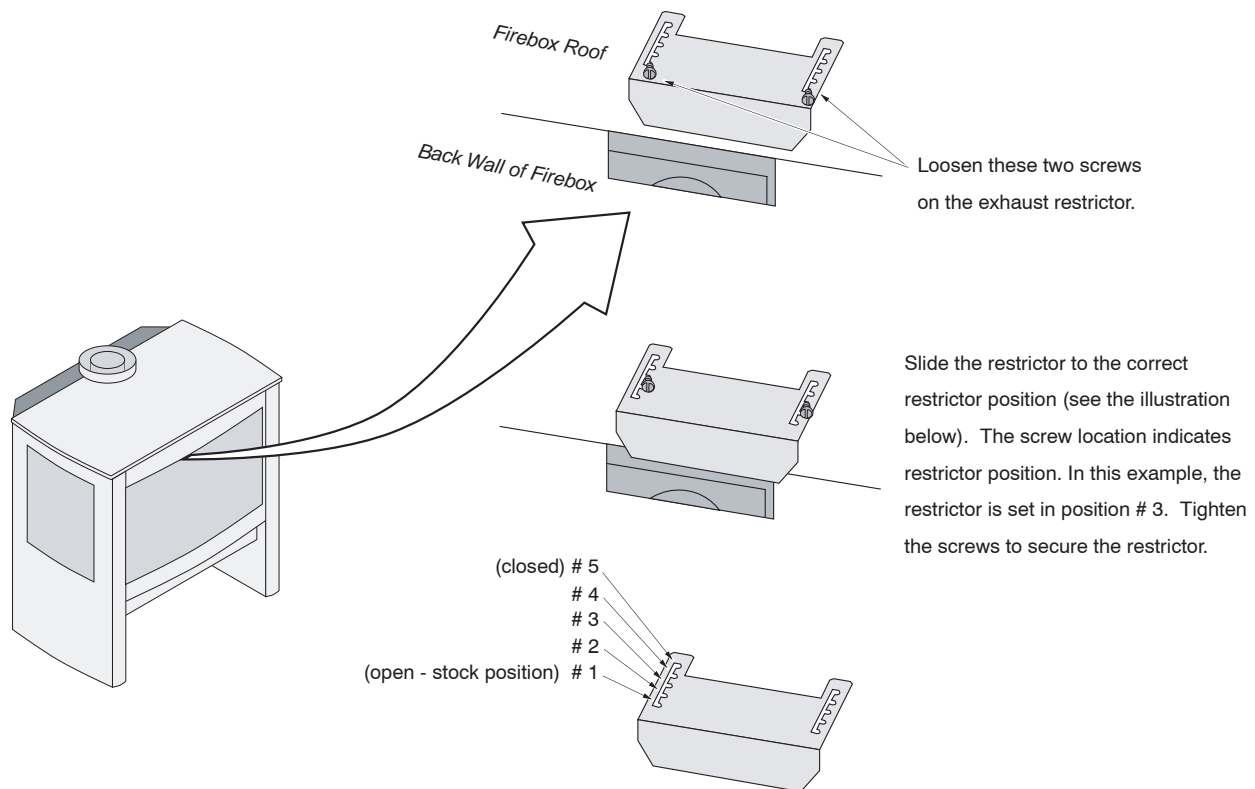


## Approved Vent Configurations

### Exhaust Restrictor Position

- An exhaust restrictor is built into the appliance to control the flow rate of exhaust gases. This ensures proper flames for the wide variety of vent configurations. Depending upon the vent configuration, you may be required to adjust the restrictor position. The charts for approved vent configurations describe which position the vent restrictor should be in.

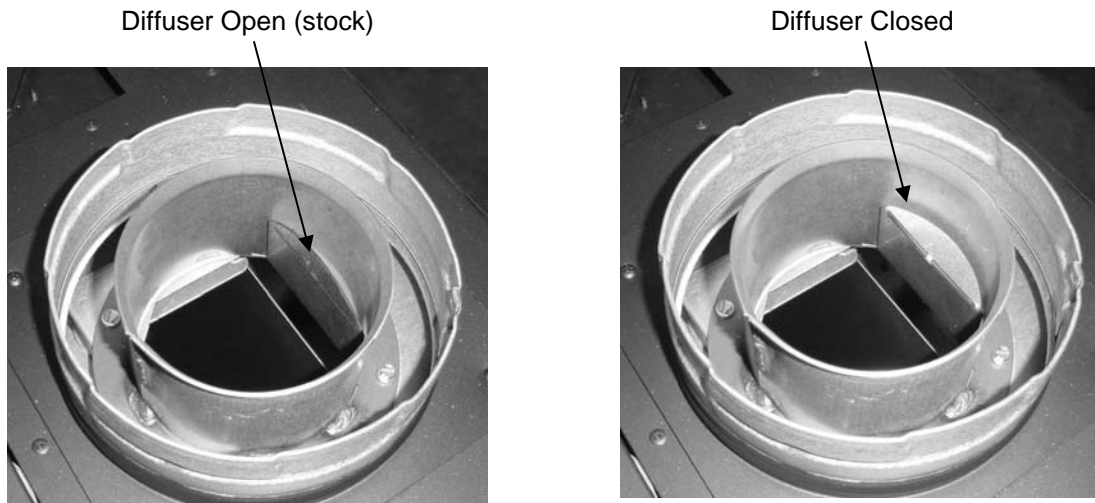
**NOTE:** If the vent configuration calls for restrictor removal, replace the screws into the holes in the firebox ceiling to seal the firebox.



## Closing the Diffuser (stock position is open) -- (for top vent configurations only)

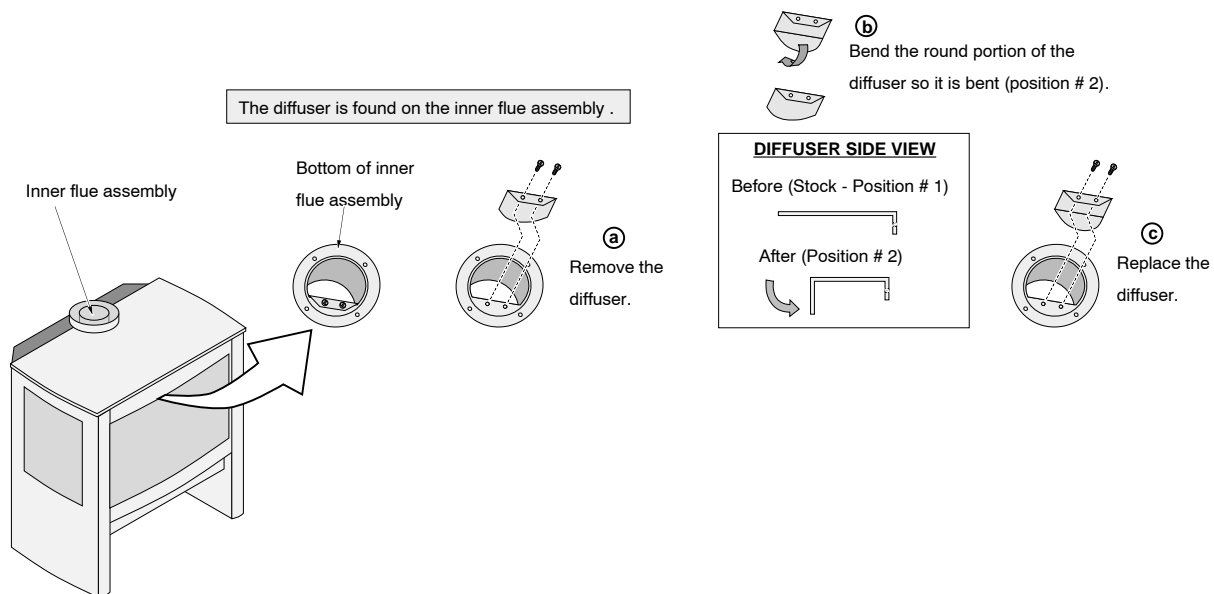
**IMPORTANT NOTE:** The diffuser can be easily closed with no vent in place. Consult the vent configuration charts to determine diffuser position. If the diffuser needs to be in the closed position, adjust the diffuser prior to installing vent.

- To close the diffuser, reach into the vent starter section and bend the diffuser back (see photos below). You may need a screwdriver to bend the upper portion of the diffuser 90° (see photos below).



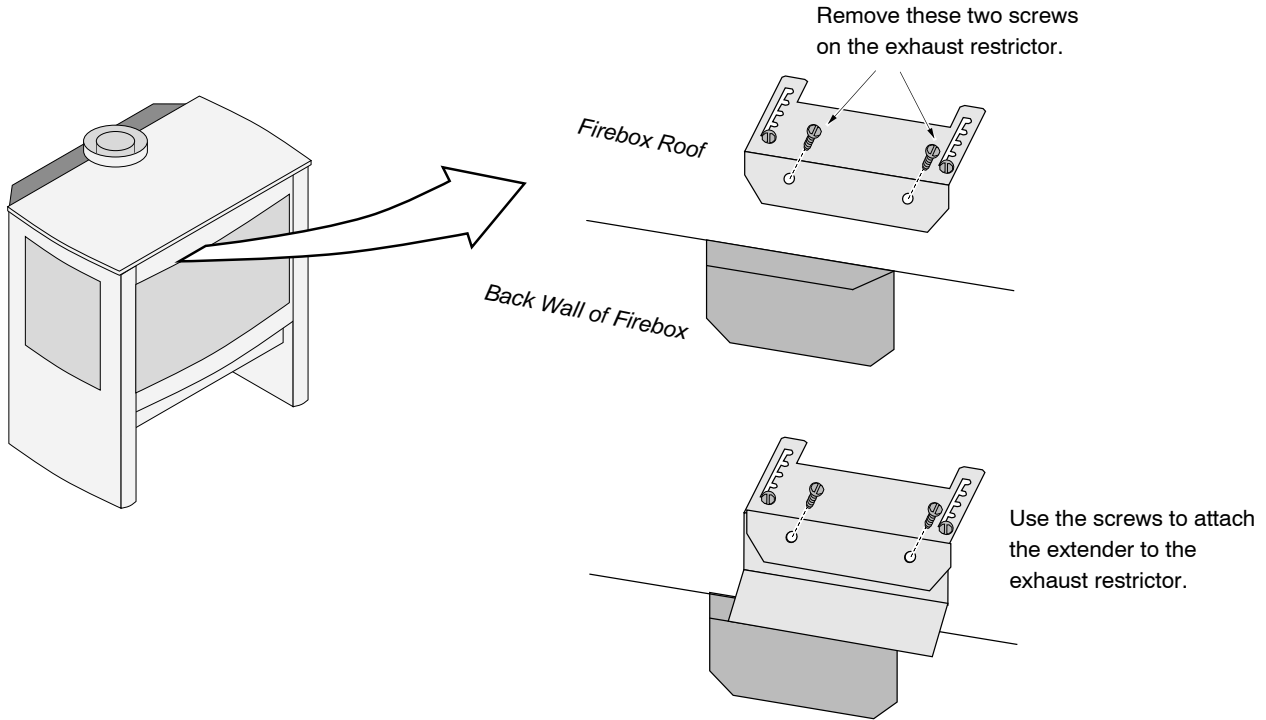
## Closing the Diffuser After Vent is Installed

- The diffuser may be removed from within the firebox and bent into the closed position. This requires removal of the burner, fireback shelf, and rear firebox wall (rivet cover). Once removed, the diffuser may be removed from below, bent 90°, and re-installed. See the illustration below.

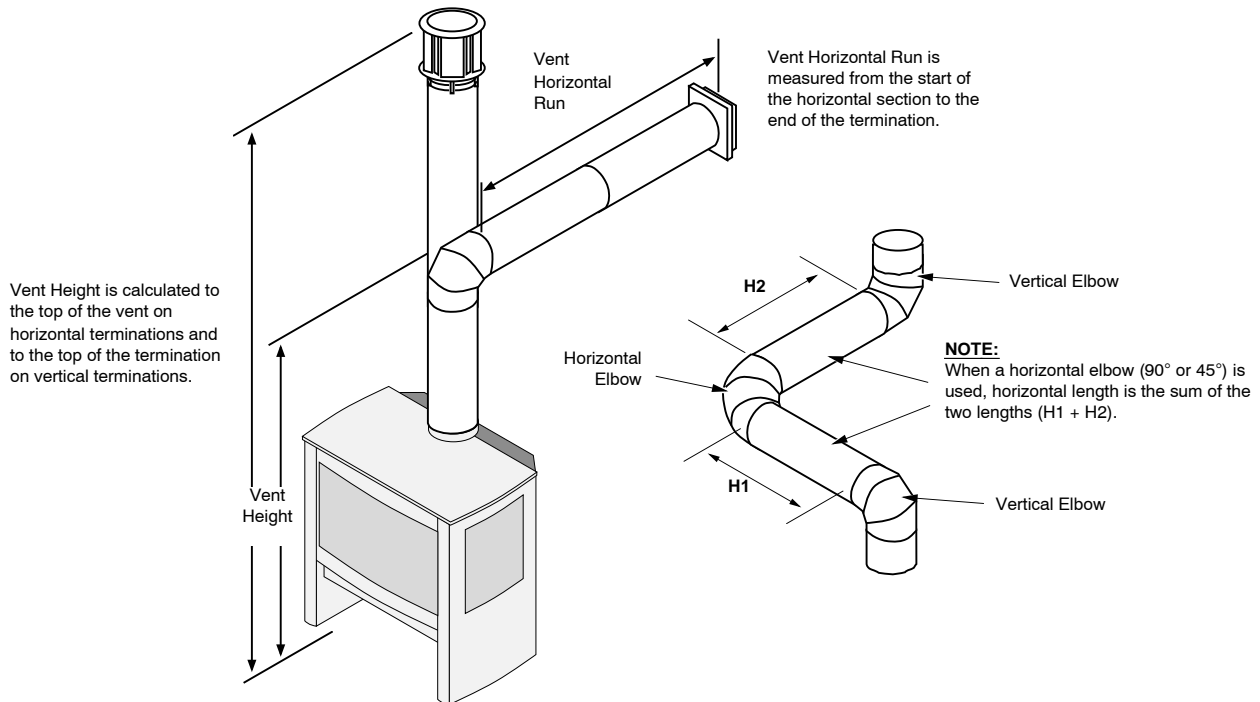


## Exhaust Restrictor Extender (for rear vent configurations only)

- Follow the directions below to install the exhaust restrictor extender.

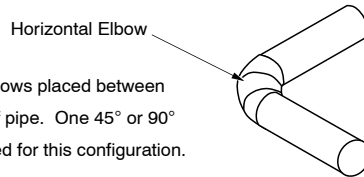
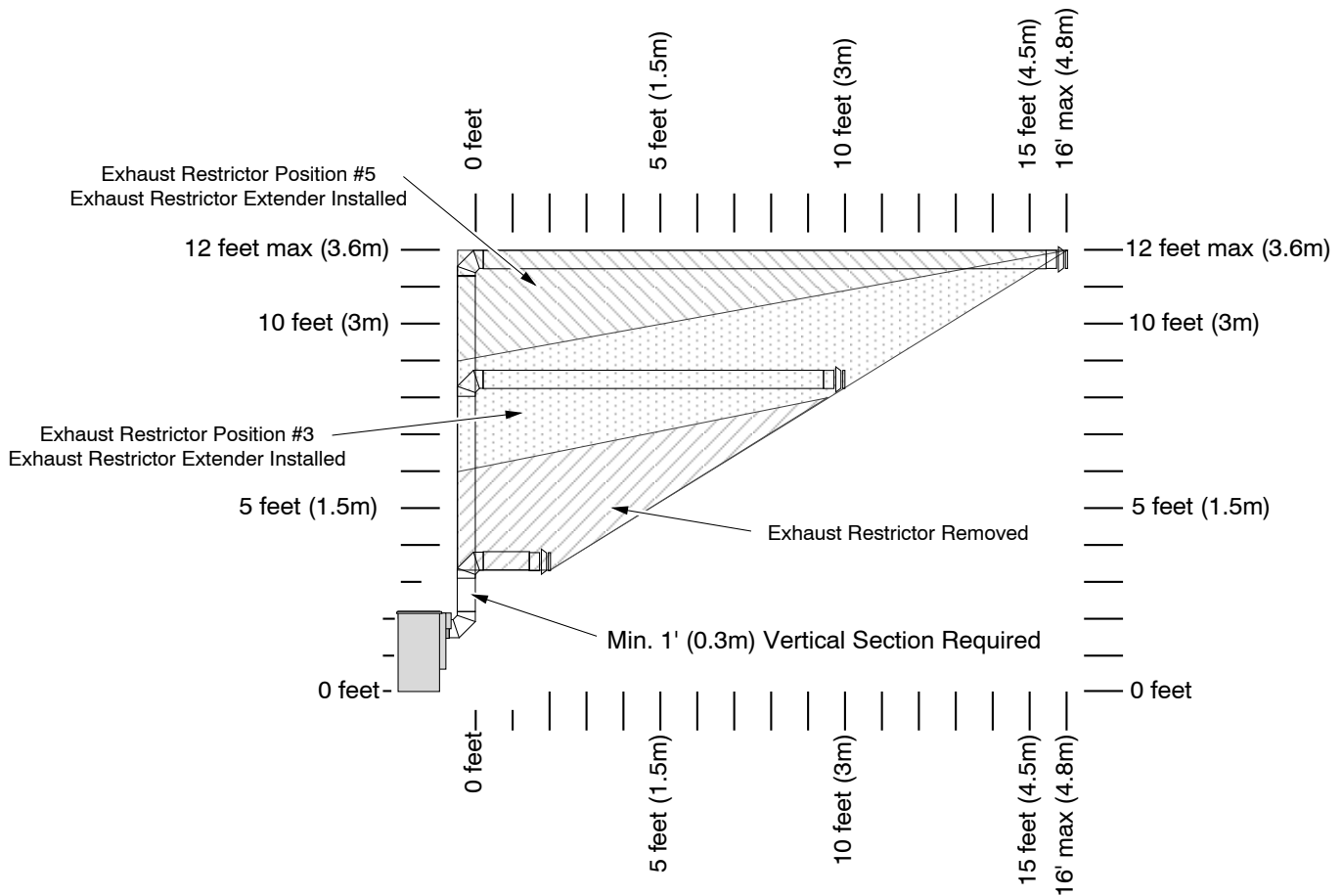


## Measuring Vent Lengths



## Rear Vent Configuration with Horizontal Termination

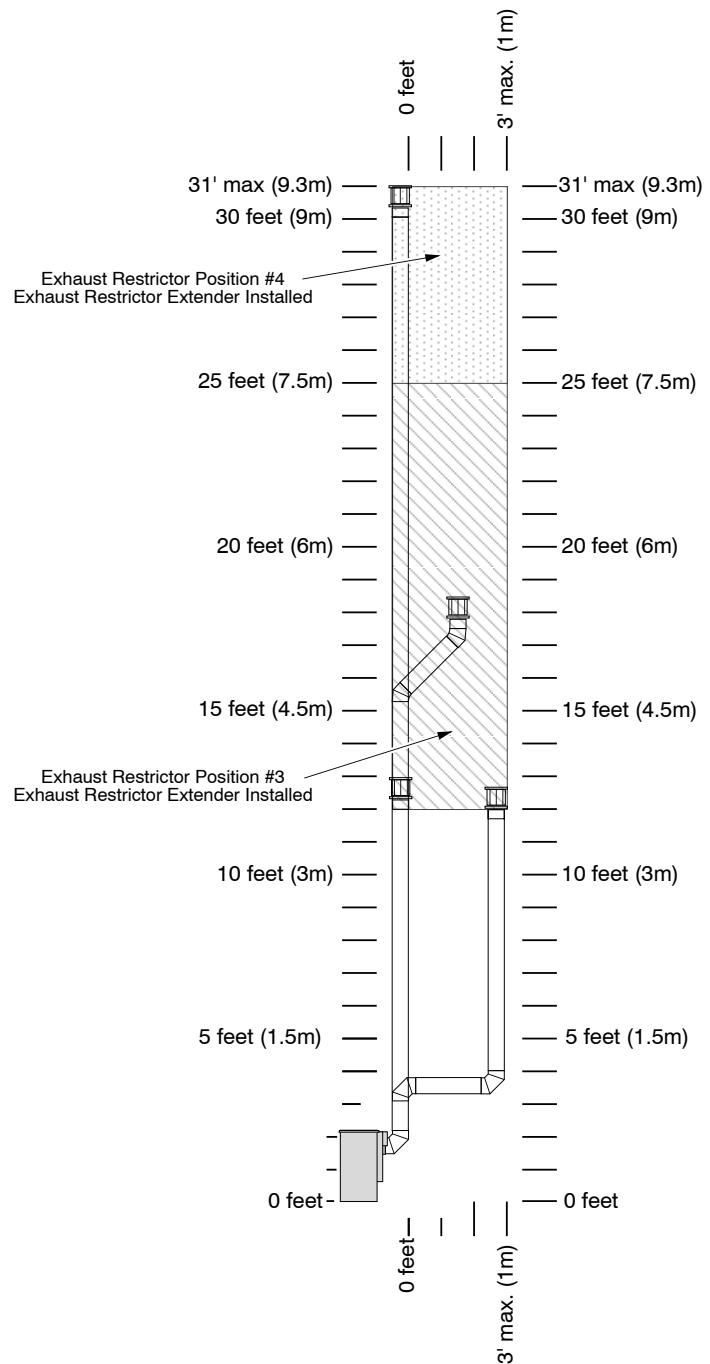
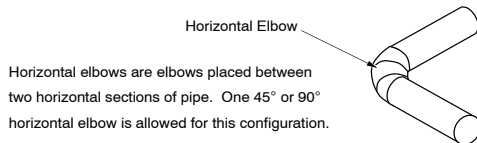
- Use the rear vent conversion from Travis Industries (SKU 94400998).
- Use 8" Diameter Vent
- Horizontal sections require a ¼" (6mm) rise every 12" (305mm) of travel.
- A maximum of three (3) 45° or 90° elbows may be used. Of these elbows, only one (1) may be a horizontal elbow (see illustration).
- The termination must fall within the shaded area shown in the chart. Use the indicated restrictor position. NOTE: Restrictor positions are based upon lab tests. The ideal restrictor position may vary slightly, especially when the termination is near a demarcation line



Horizontal elbows are elbows placed between two horizontal sections of pipe. One 45° or 90° horizontal elbow is allowed for this configuration.

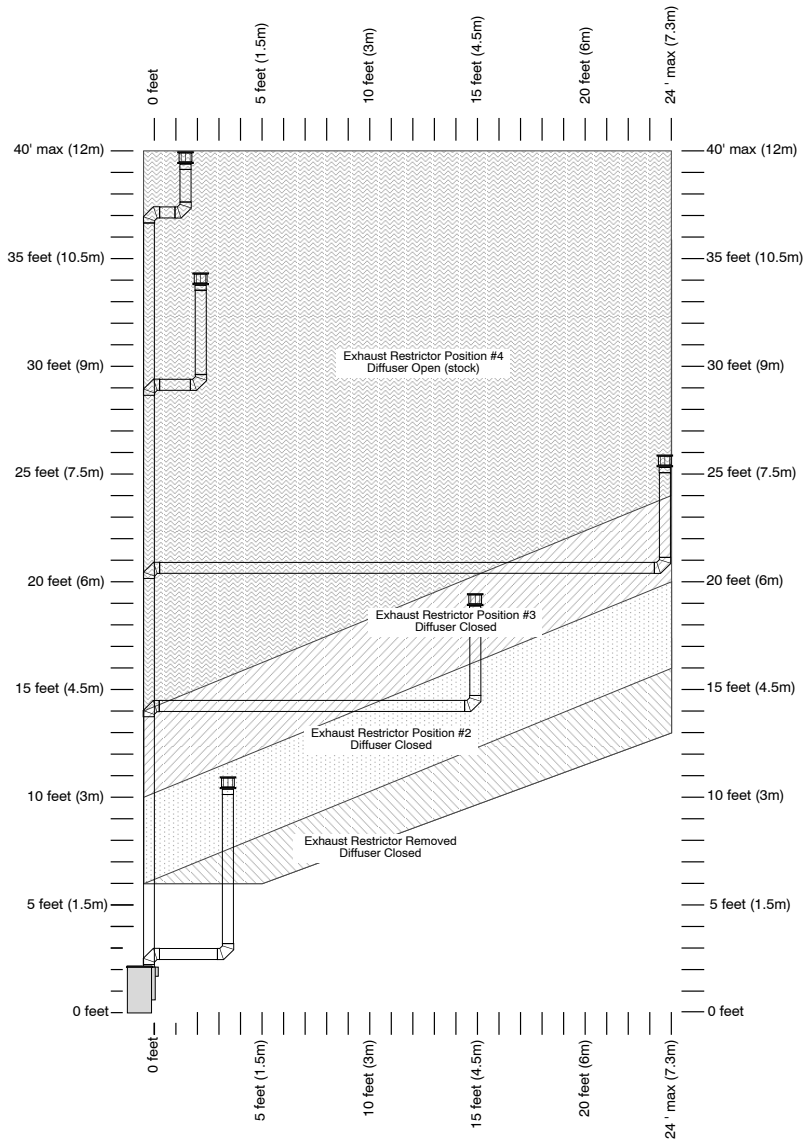
## Rear Vent Configuration with Vertical Termination

- Use the rear vent conversion from Travis Industries (SKU 94400998).
- Use 8" Diameter Vent
- Horizontal sections require a  $\frac{1}{4}$ " (6mm) rise every 12" (305mm) of travel.
- A maximum of three (3) 45° or 90° elbows may be used. Of these elbows, only one (1) may be a horizontal elbow (see illustration).
- The termination must fall within the shaded area shown in the chart. Use the indicated restrictor position. NOTE: Restrictor positions are based upon lab tests. The ideal restrictor position may vary slightly, especially when the termination is near a demarcation line



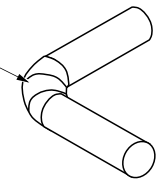
## Top Vent Configuration with Vertical Termination

- Use 6-5/8" Diameter Vent
- Horizontal sections require a 1/4" (6mm) rise every 12" (305mm) of travel.
- A maximum of four (4) 45° or 90° elbows may be used. Of these elbows, only one (1) may be a horizontal elbow (see illustration).
- The termination must fall within the shaded area shown in the chart. Use the indicated restrictor and diffuser position. NOTE: Restrictor positions are based upon lab tests. The ideal restrictor position may vary slightly, especially when the termination is near a demarcation line.



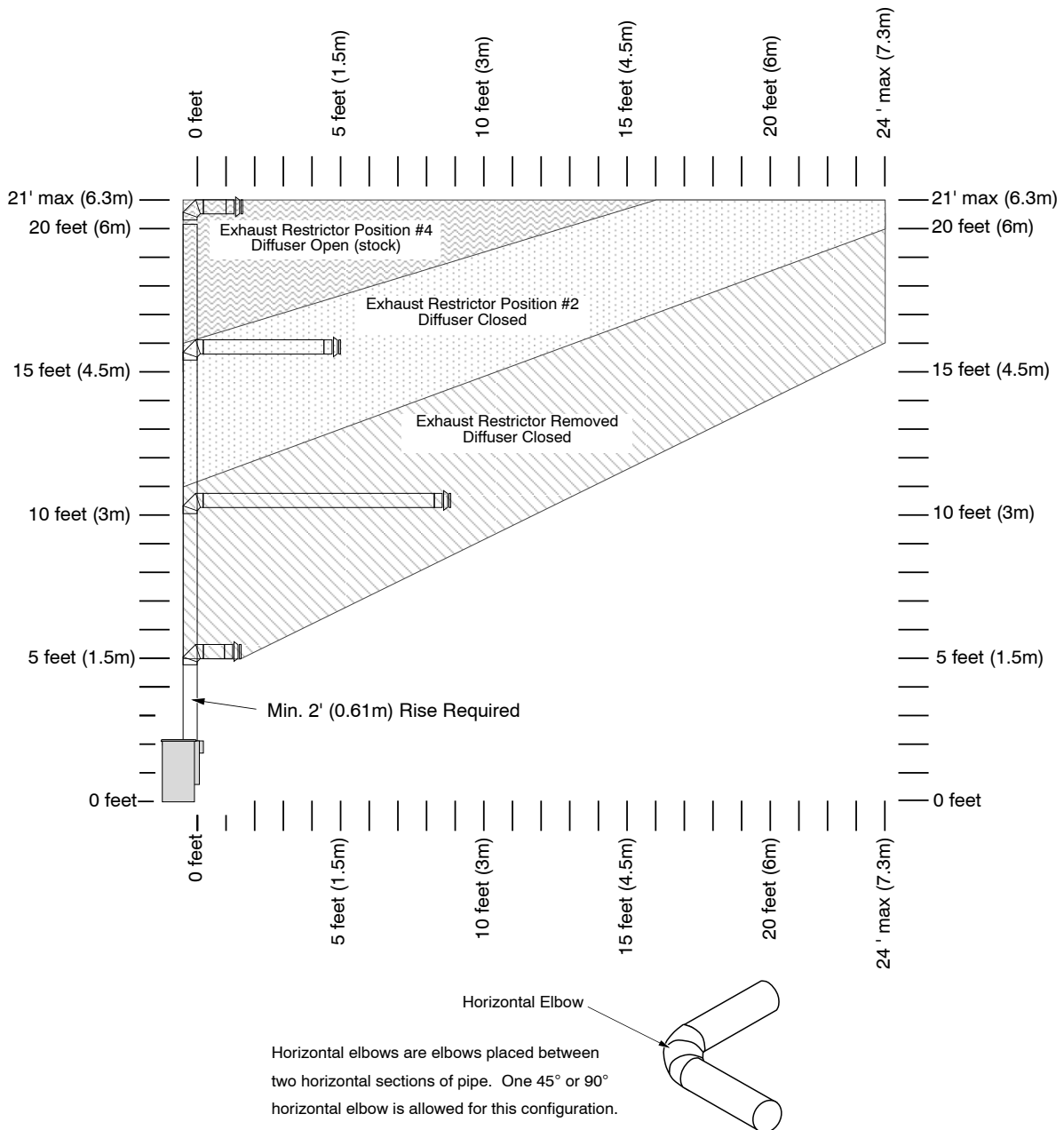
Horizontal Elbow

Horizontal elbows are elbows placed between two horizontal sections of pipe. One 45° or 90° horizontal elbow is allowed for this configuration.



## Top Vent Configuration with Horizontal Termination

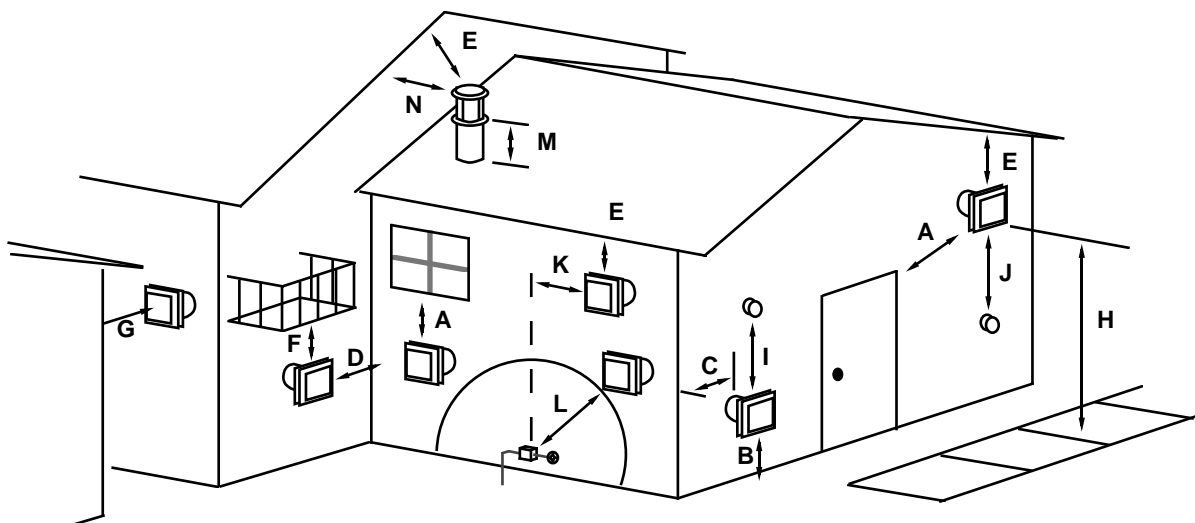
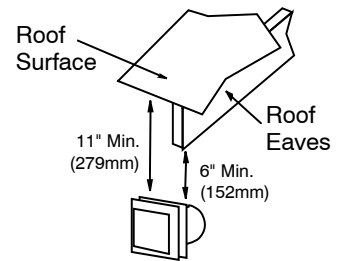
- Use 6-5/8" Diameter Vent
- Horizontal sections require a 1/4" (6mm) rise every 12" (305mm) of travel.
- A maximum of four (4) 45° or 90° elbows may be used. Of these elbows, only one (1) may be a horizontal elbow (see illustration).
- The termination must fall within the shaded area shown in the chart. Use the indicated restrictor and diffuser position. NOTE: Restrictor positions are based upon lab tests. The ideal restrictor position may vary slightly, especially when the termination is near a demarcation line.



## Vent Termination Requirements (see illustration below)

**! Venting terminals shall not be recessed into a wall or siding.**

- A Minimum 9" (229mm) clearance from any door or window
- B Minimum 12" (305mm) above any grade, veranda, porch, deck or balcony
- C Minimum 12" (25mm) from outside corner walls  
**NOTE:** Clearance in accordance with local installation codes and the requirements of the gas supplier.
- D Minimum 12" (25mm) from inside corner walls  
**NOTE:** Clearance in accordance with local installation codes and the requirements of the gas supplier.
- E Minimum 11" (279mm) clearance below unventilated soffits or roof surfaces  
Minimum 18" (457mm) clearance below ventilated soffits  
Minimum 6" (152mm) clearance below roof eaves  
**NOTE:** Vinyl surfaces require 24" (610mm)  
**NOTE:** Clearance in accordance with local installation codes and the requirements of the gas supplier.
- F Minimum 12" (305mm) clearance below a veranda, porch, deck or balcony  
**NOTE:** Permitted only if veranda, porch, deck, or balcony is fully open on a minimum of two sides beneath the floor.  
**NOTE:** Clearance in accordance with local installation codes and the requirements of the gas supplier.
- G Minimum 48" (1219mm) clearance from any adjacent building
- H Minimum 84" (2134mm) clearance above any grade when adjacent to public walkways or driveways  
**NOTE:** may not be used over a walkway or driveway shared by an adjacent building
- I Minimum 9" (229mm) clearance to any nonmechanical air supply inlet to the building or the combustion air inlet to any other appliance.
- J Minimum 36" (914mm) clearance above any mechanical air supply inlet if within 10' (3M) horizontally
- K Minimum 36" (914mm) from the area above the meter/regulator (vent outlet) - this extends 15' (4.5M) above the regulator  
**NOTE:** Clearance in accordance with local installation codes and the requirements of the gas supplier.
- L Minimum 36" (914mm) from the meter/regulator (vent outlet)  
**NOTE:** Clearance in accordance with local installation codes and the requirements of the gas supplier.
- M Minimum 12" (305mm) above the roof line (for vertical terminations)
- N Minimum 24" (610mm) horizontal clearance to any surface (such as an exterior wall) – for vertical terminations



**NOTE: Measure clearances to the nearest edge of the exhaust hood.**

- Use the vinyl siding standoff when installing on an exterior with vinyl siding.
- Vent termination must not be located where it will become plugged by snow or other material

## Steps for Finalizing the Installation

1. Remove the glass (see page 24).

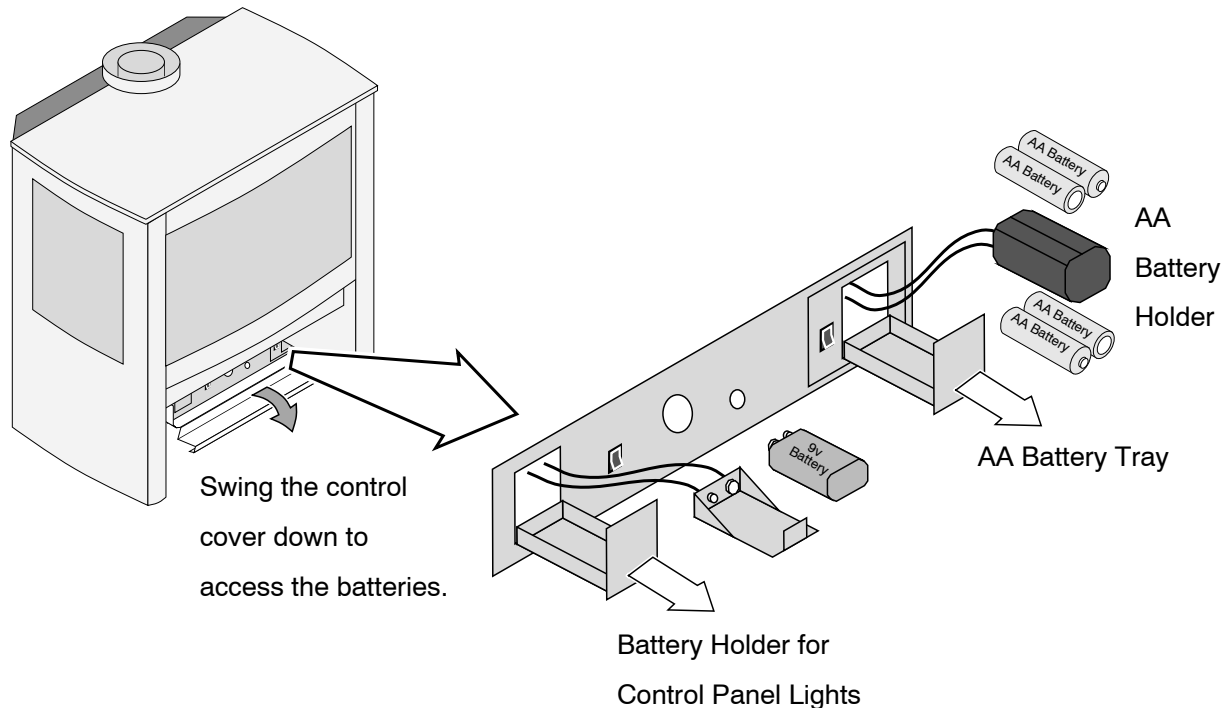
**NOTE:** If using propane (LP) convert the appliance prior to installing the logs, driftwood, or stone set.

2. We recommend you purge the gas line at this time (with the glass removed). This allows gas to be detected once it enters the firebox, ensuring gas does not build up.

3. Make sure the accent light works correctly.

**NOTE:** Take care to not touch the bulb with your fingers – use a cloth or paper towel).

4. Install the four AA batteries (included in the owner's pack) into battery holder (see the illustration below). The AA batteries act as a power backup in case the household (AC) power goes out. Install the 9v battery (included in the owner's pack) into control panel light assembly (see the illustration below). The battery holder is held in place with Velcro and may be removed for easier access.

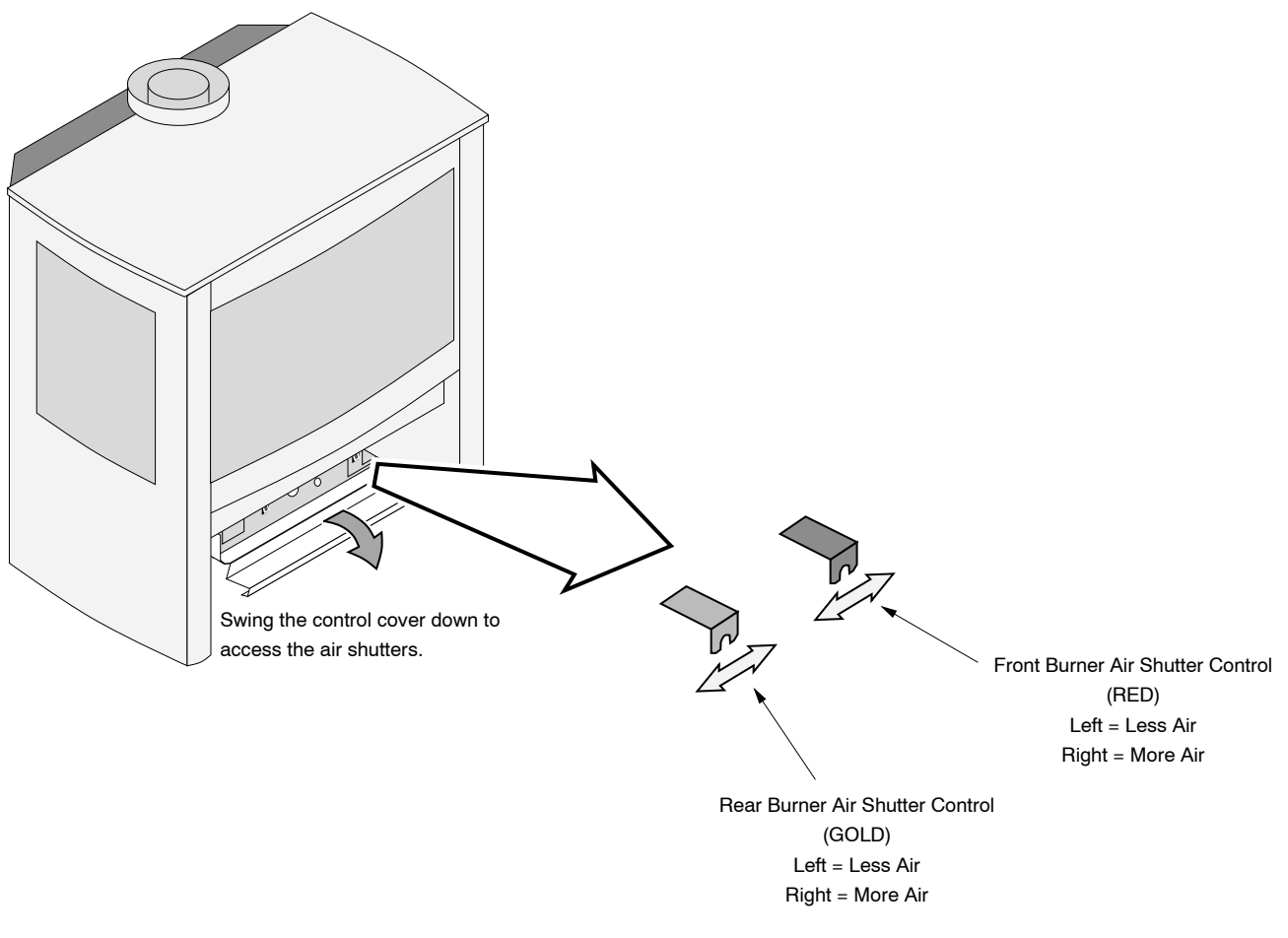
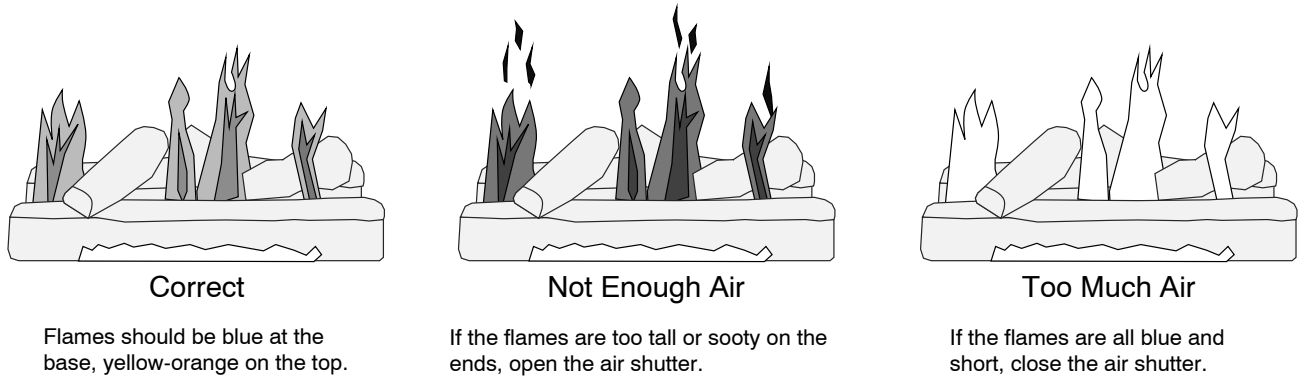


5. Install the media (logs, driftwood, or stone set - see page 26).
6. Replace the glass.
7. Start the heater.
8. Leak test all gas joints.

9. Check the air shutter following the directions below.

## Air Shutter Adjustment

Let the heater burn for fifteen minutes (make sure the media and glass are in place). The flames should be blue with no sooting. Adjust the air shutter, if necessary, to achieve the correct looking flame.



10. Turn the flame adjust knob to its highest position - the flames should not contact the top of the firebox. Check the flame on low position. The flames should burn off of each burner hole. If the heater does not work correctly, contact your Travis dealer for a remedy.

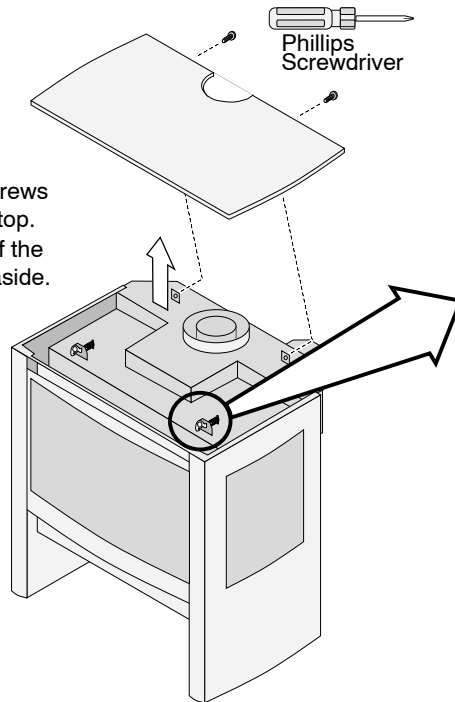
11. Give this manual to the home owner for future reference and fully explain operation of this heater.

## Face and Glass Removal

! Make sure the gas control valve is "OFF" and the heater is cool prior to conducting service.

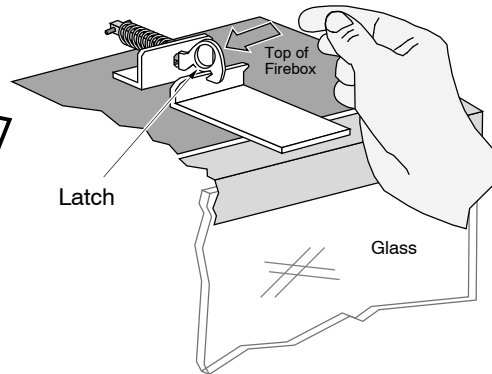
**(a)**

Remove the two screws securing the stove top. Lift the stove top off the stove and place it aside.



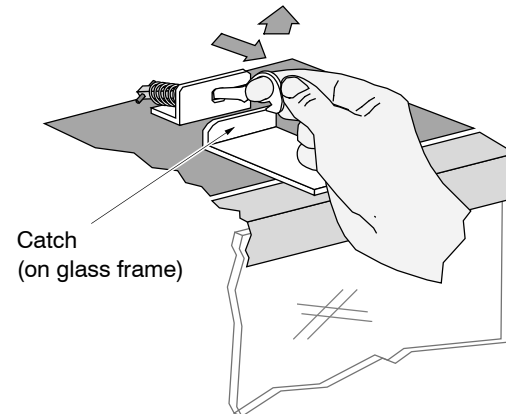
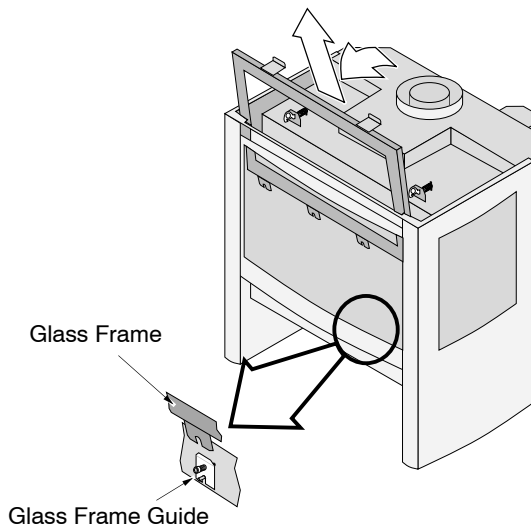
**(b)**

Open the two latches holding the glass frame in place - follow the directions shown below



**(c)**

Lift the glass frame slightly, swing the top forward, then lift the glass frame to disengage it from the bottom guides.



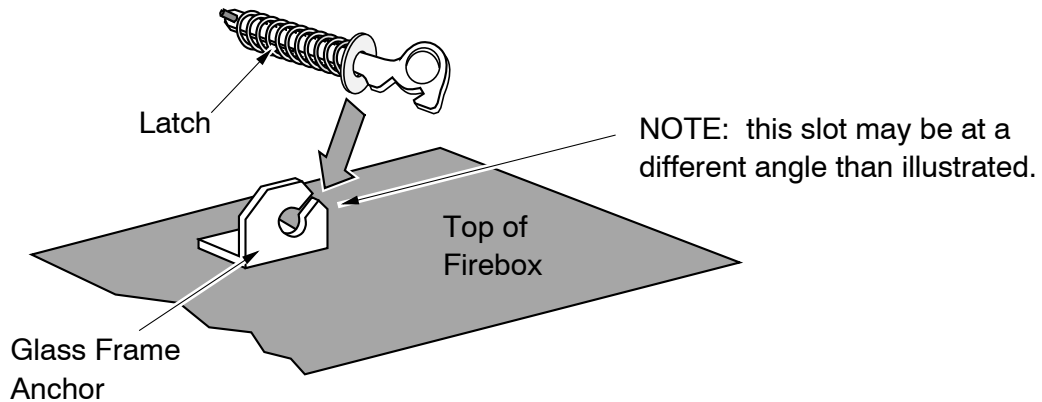
### **Re-Attaching the Glass Frame:**

- Slide the two brackets on the bottom of the glass frame into the glass frame guides (hold the glass frame at a slight angle).
- Swing the glass frame into place - you may have to lift it slightly to allow it to fit over the top of the firebox.
- Attach the upper latches (follow the instructions above in reverse).
- Replace the stove top and secure with the two screws.

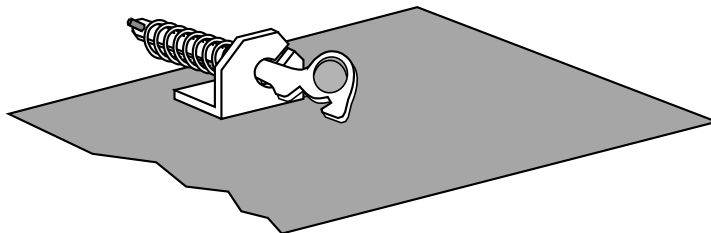
## Glass Frame Removal and Installation (continued)

The latch can come loose from glass frame anchor. This occurs when it is turned 1/4 turn when it is disengaged. Follow the directions below to re-install the latch if it becomes loose.

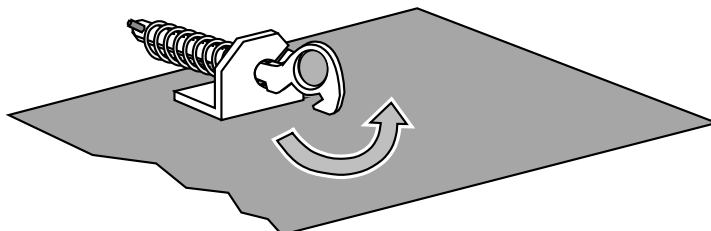
Hold the latch at an angle and insert it into the slot on the glass frame anchor.



Note how the washer on the latch fits behind the flange on the glass frame anchor.



Once fully inserted, turn the latch until it is upright.



## ***Media Installation (Log, Stone, or Driftwood)***

---

- ! **The logs are fragile, especially after being exposed to heat.**
- Make sure the gas control valve is “OFF” and the heater is cool prior to conducting service.
- Failure to position the parts in accordance with these diagrams or failure to use only parts specifically approved with this appliance may result in property damage or personal injury.
- If using propane (LP), convert the appliance before installing the media (see page 38).
- The burner must be correctly positioned before installing the media. Make sure the burner is fully seated and the pilot is properly aligned. See page 38 for details on burner removal.

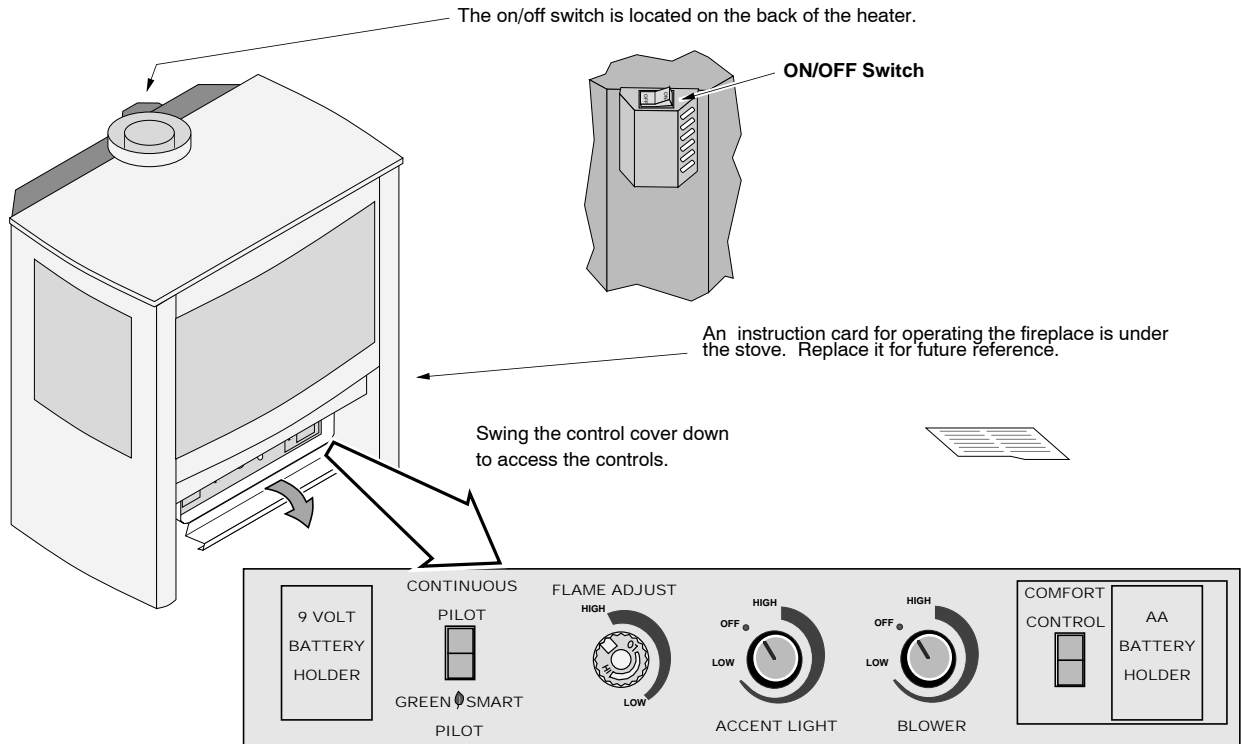
**For installation instructions, consult the instructions included with the log, stone, or driftwood.**

## Before You Begin

**Warning:** Read this entire manual before you use your new stove (especially the section "Safety Precautions" on pages 4 & 5). Failure to follow the instructions may result in property damage, bodily injury, or even death.

**Warning:** Do not operate appliance with the glass front removed, cracked or broken. Replacement of the glass should be done by a licensed or qualified service person.

## Location of Controls - See explanation below



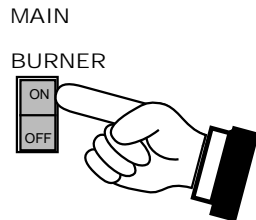
<b>Standard Blower Control</b>	This knob controls the speed of the optional internal convection blower that pushes heated air into the room.
<b>Accent Light</b>	This knob controls the accent light located above the firebox.
<b>Flame Adjust Knob</b>	This knob controls the flame height from low ("LO") to high ("HI").
<b>Continuous Pilot -- GreenSmart Pilot</b>	This switch controls how the pilot flame works. See the section "Continuous Pilot / GreenSmart Pilot" for details.
<b>Comfort Control</b>	This switch turns the rear burner on and off.
<b>AA Battery Holder</b>	This holder contains 4 AA batteries that allow the stove to operate during power outages.
<b>Main Burner</b>	This switch turns the stove burners on and off.

## Starting the Stove for the First Time

- Burn the heater at a high setting with the blower off for an extended period (up to 48 hours). This will cure the painted surfaces. **Fumes** from the paint curing and oil burning off the steel will occur. This is normal. We recommend opening a window to vent the room.
- **Condensation** may appear on the glass each time you start the stove - this is normal.
- **Blue Flames** will occur on the stove when it first comes on. After fifteen minutes the flames will turn a more realistic yellow and orange color.
- Certain installations use a remote, thermostat, or wall switch to turn the stove on and off. If this is the case, leave the ON/OFF switch "ON".
- Verify the power backup and control light batteries are installed (see page 31).

## Turning the Stove On and Off

Use the main burner switch to turn the main burner on and off.



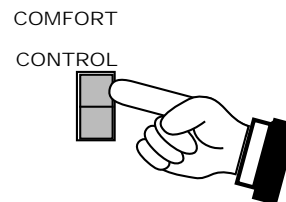
### **NOTE FOR REMOTES, THERMOSTATS, OR WALL SWITCHES:**

The on/off switch on the stove may be required to be left in the ON or OFF position for the stove to operate. Consult your installer or dealer for details.

- Do not place any combustible items on top of or directly in front of the stove, even temporarily. An optional thermostat may start the stove causing a combustible item to ignite.
- If the stove turns on and off frequently while using a standard thermostat, you may want to adjust the flame height down until it produces just enough heat needed.

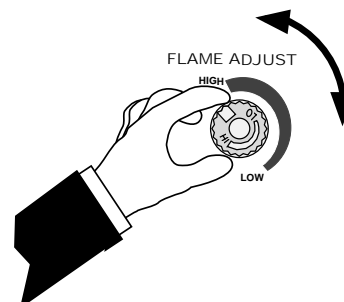
## Comfort Control

The rear portion of the burner may be shut off to lower the heat output and flame size from the burner (this is called the comfort control). Use the comfort control switch to adjust this as desired.



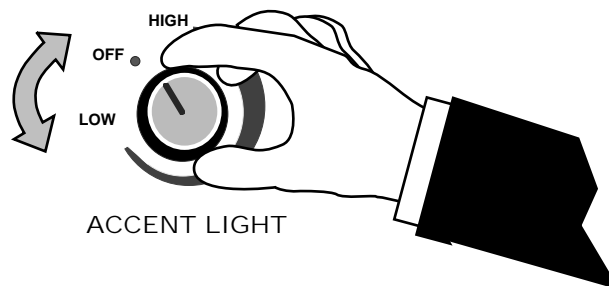
## Adjusting the Flame Height

This stove has an adjustable flame to tailor the look and heat output to your specific needs. It is adjusted by turning the flame adjust knob.



## Accent Light

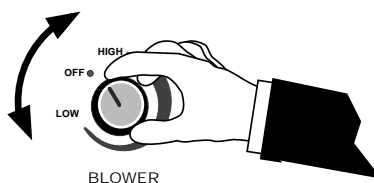
This stove has a built-in accent light that may be turned on and off and dimmed to your preference. Turn the knob to achieve the desired light output.



## Adjusting the Standard Blower Speed

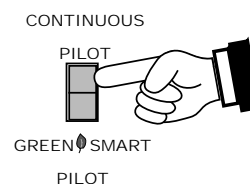
The blower helps transfer heat from the heater into the room. It will not turn on until the heater is up to temperature (approximately 15 minutes after starting). See the illustration below for instructions on adjusting the blower speed.

**NOTE:** With the rear burner off (comfort control), the heater may not become hot enough for the blower to turn on.



## Continuous Pilot / GreenSmart™ Pilot Switch

This stove may run with the pilot continuously running or in GreenSmart (intermittent) mode. For most homeowners, the GreenSmart mode is preferred (this saves fuel, doesn't give off un-needed heat). However, in some situations the homeowner may prefer to switch the stove to continuous pilot. The most typical reasons for switching to continuous pilot are:



- Very Cold Conditions – in very cold conditions you may notice that the burner does not light quickly, and the flames lift off the burner. In this situation we recommend you switch to continuous pilot. This will create a slight draft in the vent, allowing for the burner to light quickly and draft correctly.
- Excessive Condensation on Glass After Startup – certain installations may encounter excessive fogging on the window after startup (not just the first time the stove was started). This is an aesthetic condition that may be remedied by switching the stove to continuous pilot.
- Cold Glass or Stove Front – in very cold conditions you may notice that the stove front and glass become very cold. To remedy this, switch the stove to continuous pilot.
- Frequent On / Off Operation – if you are frequently turning the stove on and off, you may wish to leave it in continuous pilot. This allows the burner to turn on more quickly, without pilot ignition delay.

## Normal Operating Sounds

### Extinction Pops

It is not unusual, especially on Propane (LP) appliances, to experience a "pop" when the burner is shut off.

### Pilot Assembly

The pilot flame will make a clicking sound when starting up. If left on, it will make a slight whisper sound.

### Gas Control Valve

As the gas control valve is turned on and off you will hear a dull clicking sound. This is the valve opening up and shutting down.

### GreenSmart Receiver

The optional GreenSmart receiver will beep when receiving commands from the GreenSmart remote.

### AC Adapter

This device makes a light hum that is audible in close proximity.

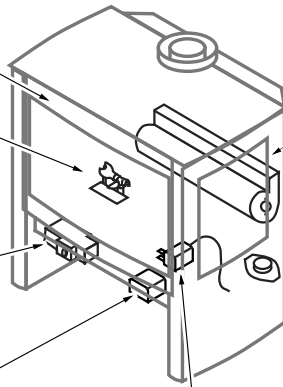
The appliance may creak with change of temperature -- THIS IS NORMAL.

### Blower

This heater has an optional blower to push heated air into the room. You will hear the sound of air movement that increases as the speed is increased.

### Blower Snap Disk

This part can produce a clicking sound as it turns the blower on and off.



## Normal Operating Odors

This appliance has several areas that reach high temperatures. Dust or other particles on these areas may burn and create a burnt-paper smell. This is normal during startup. You may notice the smell is more acute if the appliance was left idle for a long period.



DO NOT MODIFY THIS APPLIANCE

## Maintaining Your Stove's Appearance

### Painted Surfaces

- Painted surfaces should be cleaned with a duster. If scratches occur, lightly sand the area with fine sandpaper. Clean the area and, with the stove cool, apply one or two thin coats of stove paint to the area (mask the area to avoid overspray). Allow the stove to dry, then turn the stove on to cure the paint (1 hour on medium).

### Glass

- Clean the glass with soap and water (do not use abrasive cleaners). To remove the glass, follow the instructions on page 24.

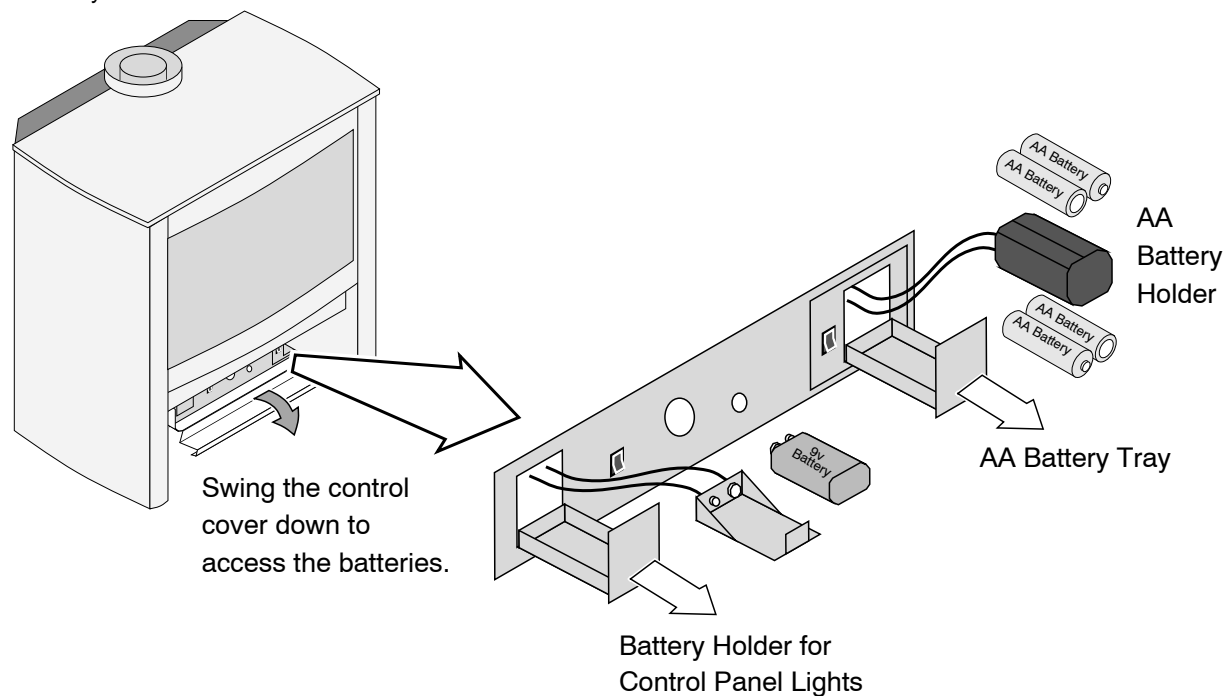
## Battery Replacement

### Power Backup Batteries

Four AA batteries are used as a power backup for the stove in case the household (AC) power goes out. They also power the comfort control feature. These batteries must be inserted into the battery holder (make sure they contact the terminals - see the illustration below). The fireplace controller will beep once these batteries start to go dead. Replace batteries before each heating season to insure proper operation.

### Control Panel Light Battery

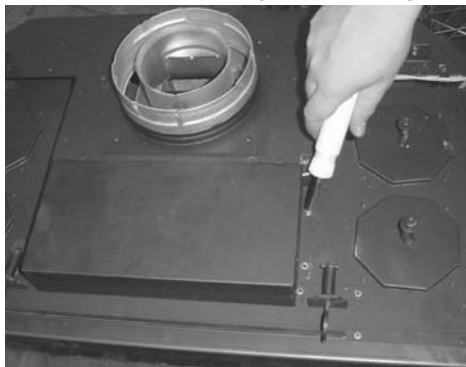
LED lights and a 9v battery are used to illuminate the control panel when the concealment cover is lifted. If the LED lights do not operate, replace the 9v battery (see the illustration below). The battery holder is held in place with Velcro and may be removed for easier access.



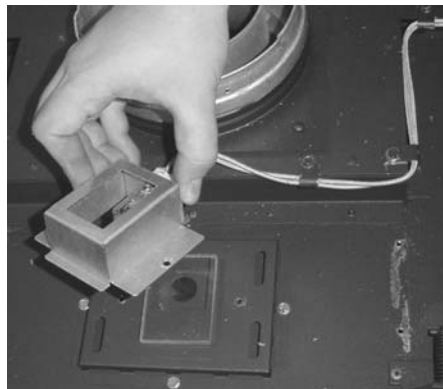
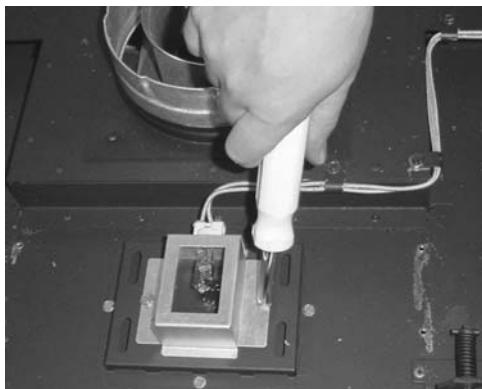
## Accent Light Replacement

An accent light is included in your stove to provide additional lighting. To replace the bulb, follow the directions below:

- Disconnect stove from power. Shut off gas to the stove. Make sure the stove is cool before proceeding (15 minutes).
- Remove the stove top and place it aside (see page 24).
- Remove the four screws securing the accent light cover. Place the cover to aside.



- Remove the two screws securing the accent light assembly. Place the assembly upside down on the firebox top, making sure the wiring is not damaged or dislodged. When replacing, make sure the glass is aligned below the assembly.

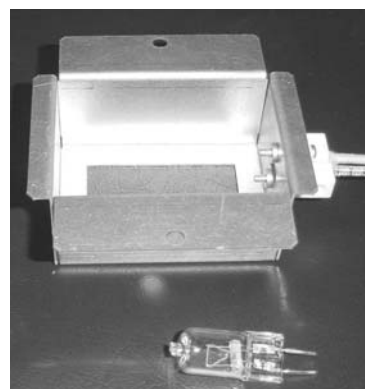
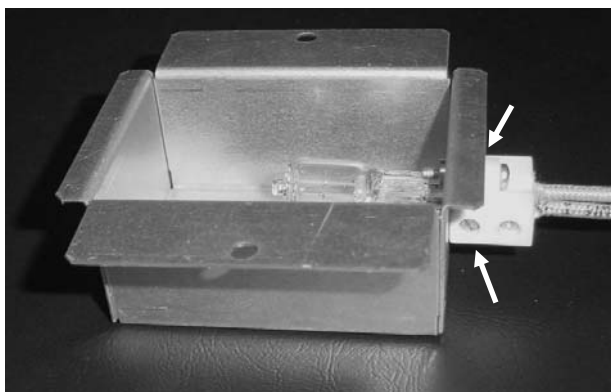


- Use a small slotted screwdriver to loosen the two set-screws holding the bulb in place. (see arrows below). The second set of screws, near the wires, hold the wires in place (do not loosen these wires). Replace the halogen bulb with the bulb listed below. When the bulb is inserted into the socket the two posts will be exposed approximately 1/4" (6mm) – this is normal.

**WARNING:** Do not over-tighten the set-screws, this may deform the posts and break the bulb.

**NOTE:** Take care to not touch the bulb with your fingers – use foam packing or paper towel to hold the bulb

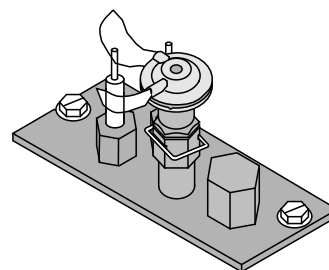
35 Watt 240 Volt T4 Halogen Bulb (G6.35 Base)



## Yearly Service Procedure

---

- Failure to inspect and maintain the stove may lead to improper combustion and a potentially dangerous situation. We recommend the following procedures be done by a qualified technician.
1. Turn the pilot flame to continuous. It should touch approximately 3/8" of the top of the flame sensor. If it does not, contact your dealer for service.
  2. Shut off gas to the stove and let it cool for 15 minutes. Remove the glass (see page 24).
  3. Remove the media (**NOTE: the logs are very fragile** - see page 26). If severely deteriorated, replace. Check the logs for sooting. A small amount of soot along the bottom of the logs is normal. If excessive sooting is found, the stove will require adjustment. Contact your dealer.
  4. Inspect the burner and remove any debris.
    - Make sure the burner is not warped, cracked, or damaged.
    - Check the firebox and area around the pilot to make sure there is no warping or damage.
    - If any problem is found, discontinue use and contact your dealer for service.
  5. Replace the media set. Clean and replace the glass. If the glass is damaged, replace. Make sure the gasket along the perimeter of the glass contacts the face of the firebox and forms an air-tight seal. If it does not, re-align or replace the gasket to insure an air-tight seal.
  6. Inspect the area behind the access door. Clean if necessary. Check the gas control valve and the gas lines. If damage is found, discontinue use and contact your dealer for service. Clean the air channels, ducts, and blower (if applicable).
  7. Start the main burner. Inspect the main burner and pilot flame. After 15 minutes the flames should be orange/yellow and not touch the top of the firebox. If the pilot or main burners do not burn correctly, contact your dealer for service. Monitor blower operation.
  8. Remove any debris or vegetation near the vent termination. Contact your dealer if any sooting or deterioration is found near the vent termination. Venting system should be examined by a qualified agency.

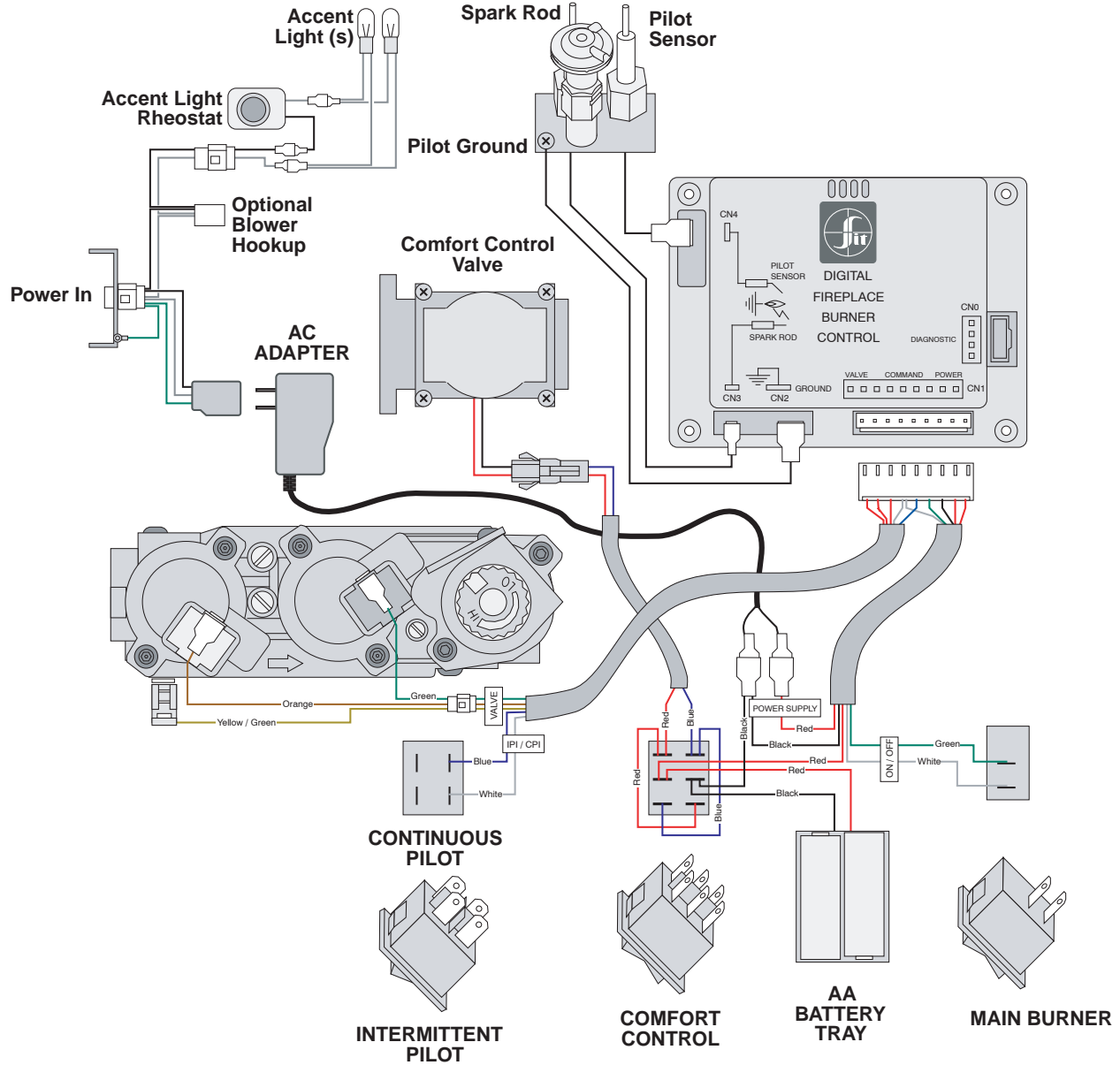


***Troubleshooting Table***

<b>Problem:</b>	<b>Possible Cause:</b>	<b>Don't Call for Service Until You:</b>
<b>Main Burners Will Not Start</b>	The ON/OFF switch is turned to "OFF" ..... The remote control is not working correctly ..... The thermostat is disconnected or set too low..... No Propane in Tank.....	Turn the ON/OFF switch to "ON" See the remote control instructions See "Thermostat Operation" Check Tank Level
<b>Receiver Beeps</b>	The power backup batteries are dead.....	Replace the batteries (see page 31)
<b>Thermostat Does Not Work</b>	The ON/OFF switch is turned to "OFF" ..... The thermostat is set too low.....	Turn the ON/OFF switch to "ON" Check thermostat
<b>Stove Will Not Distribute Heat</b>	The stove is not getting electricity..... The stove is not up to temperature.....	Check the breaker switch Let the stove burn for at least 15 minutes
<b>Flames Are Too Blue</b>	The stove has just been started..... Improper air shutter adjustment.....	This is normal - see "Starting the Stove for the First Time" Adjust Air Shutter - contact your dealer
<b>Flames Are Too Short (Under 6")</b>	The flame height may be turned too low.....	Turn the flame height to "HI" - See "Adjusting the Flame Height"
<b>Comfort Control Does not Work</b>	The AA batteries may be dead.....	Replace the AA batteries (see page 31)
<b>Thin Layer of Soot Covers the Glass</b>	The media or coals are placed incorrectly..... Improper air shutter adjustment.....	See "Media Installation" Adjust Air Shutter - contact your dealer

## Wiring Diagram

**Caution:** Label all wires prior to disconnection when servicing controls. Wiring errors can cause improper and dangerous operation. Verify proper operation after servicing.



***Replacement Parts List***

---

Caution: Use only Travis Industries replacement parts. Do not use substitute materials.

Warning: Do not operate appliance with the glass front removed, cracked, or broken. Replacement of the glass should be done by a licensed or qualified service person.

Contact your local Travis Industries Dealer for a Replacement Parts List

---

# Safety Label

## Safety Label

The safety (listing) label is attached under the stove. A copy is shown below.



**Cypress GS (Au)**  
Vented Gas  
Fireplace Heater



Tested to the combustion performance and construction requirements of AS-453-2008 Gas space heating appliances. The vented gas fireplace is equipped from the factory only for use with Natural Gas. For conversion to LP (Propane) use kit supplied by the manufacturer. This appliance must be installed in accordance with all local codes. This appliance is only for use with the type of gas indicated on the rating plate and may be installed in an aftermarket, permanently located, manufactured (mobile) home where not prohibited by local codes. See owner's manual for details. This appliance is not convertible for use with other gases, unless a certified kit supplied by the manufacturer is used. See owner's manual for information on making these changes. This appliance uses a millivolt type control system consisting of a gas control valve/regulator, a standing pilot burner assembly, a thermopile, a thermo-couple, a piezo igniter, and the ON/OFF switch. All exhaust gases must be vented outside the structure of the living-area. Combustion air is drawn from outside the living-area structure.

**This appliance is a Vented Gas Fireplace Heater. Not for use with Solid Fuel.**

**WARNING:** Improper installation, adjustment, alteration, service or maintenance can cause injury or property damage. Refer to the owner's information manual provided with this appliance. For assistance or additional information consult a qualified installer, service agency or the gas supplier.

**WARNING:** Operation of this appliance when not connected to a properly installed and maintained venting system can result in carbon monoxide (CO) poisoning and possible death.

Installation and repair should be performed by a qualified service person. The appliance should be inspected before use and at least annually by a qualified service person. More frequent cleaning may be required where excessive lint from material like carpeting and bedding is present. The control compartment, the burner compartment and all circulating air passageways of the appliance must be kept clean and clear at all times. This appliance must be properly connected to a venting system in accordance with the manufacturer's installation instructions.

This vented gas fireplace heater is not for use with air filters.

Due to high temperatures, the appliance should be located out of traffic and away from furniture and draperies. Children and adults should be alerted to the hazards of high surface temperature and should stay away to avoid fresh burns or clothing ignition.

Young children should be carefully supervised at all times when they are in the same room as the appliance.

Use direct vent systems listed in owner's manual to vent this appliance to the exterior.

MINIMUM CLEARANCES TO COMBUSTIBLES

Stove Top to Sidewall	254 mm	Alcove Min. Height	1220 mm
Stove Top to Backwall	127 mm	Alcove Max. Depth	915 mm
Stove Top to Cornerwall	127 mm	Alcove Min. Width	1274 mm
Glass Front of Unit	915 mm		

FAN TYPE VENTED CIRCUITATOR  
Blower Electrical Rating: 240V, 1.5 Amps, 50 Hz

Input Rate on "H" (MJ/h)	42.2	LP	42.2	NG	49.43	Minimum Inlet Pressure (kPa)	2.74	LP	2.74	NG	1.37
Input Rate on "LO" (MJ/h)	7.8	LP	7.8	NG	10.5	Maximum Inlet Pressure (kPa)	3.24	LP	3.24	NG	1.74
Main Burner Orifice (DMS)	57.53	LP	57.53	NG	49.43	Manifold Pressure on "H" (kPa)	2.74	LP	2.74	NG	.87

This appliance is equipped for installation 0-910 m. For altitudes above 600m, the vent configuration, orifice, or combination of both may need to be changed. See owner's manual for information on making these changes.

MANUFACTURE DATE:

<input type="checkbox"/> 2011	<input type="checkbox"/> Jan.	<input type="checkbox"/> Apr.	<input type="checkbox"/> Jul.	<input type="checkbox"/> Oct.
<input type="checkbox"/> 2012	<input type="checkbox"/> Feb.	<input type="checkbox"/> May	<input type="checkbox"/> Aug.	<input type="checkbox"/> Nov.
<input type="checkbox"/> 2013	<input type="checkbox"/> Mar.	<input type="checkbox"/> Jun.	<input type="checkbox"/> Sep.	<input type="checkbox"/> Dec.

www.lapmo.com.au



Distributed by:  
**Dragon Wholesaling Pty. Ltd.**  
Unit 2, 16 Lexington Drive  
Bella Vista NSW 2153  
Australia

0954

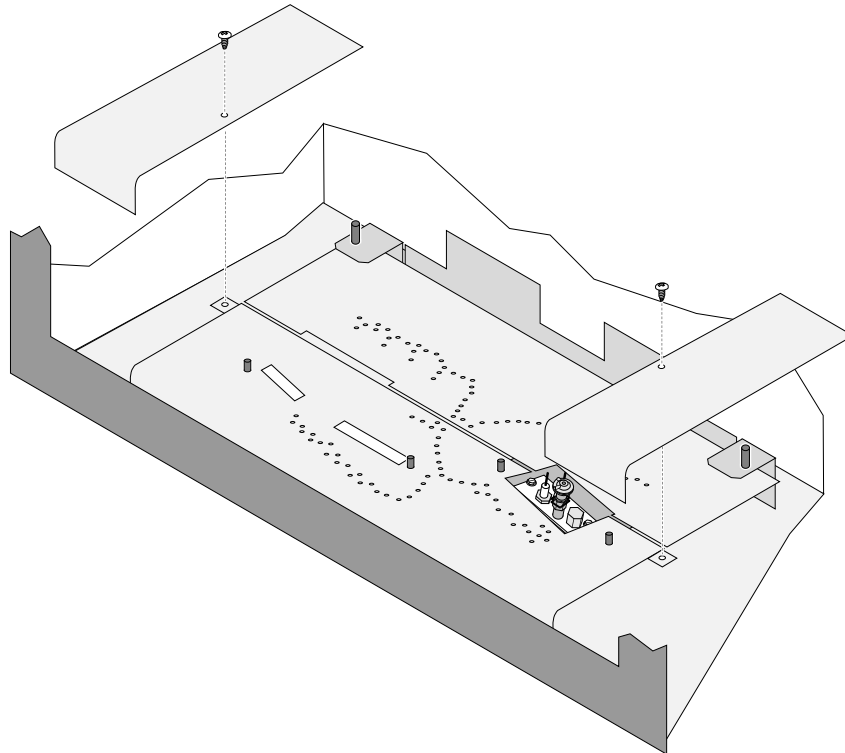
### ***LP Conversion Instructions***

#### **WARNING**

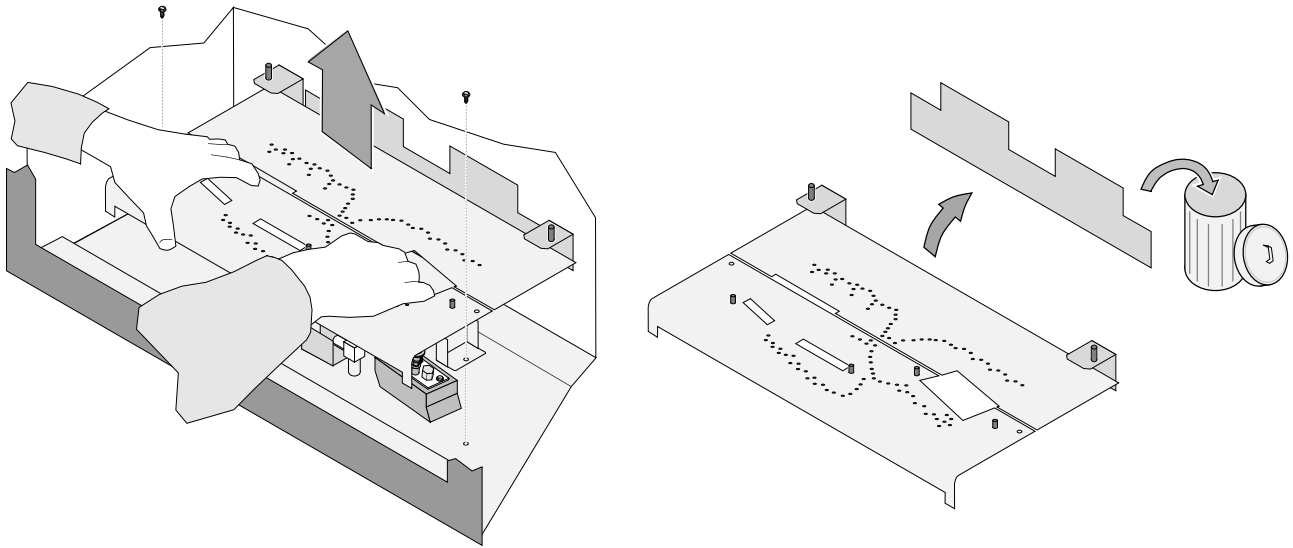
This conversion kit shall be installed by a qualified service agency in accordance with the manufacturer's instructions and all applicable codes and requirements of the authority having jurisdiction. If the information in these instructions are not followed exactly, a fire, explosion or production of carbon monoxide may result causing property damage, personal injury or loss of life. The qualified service agency is responsible for the proper installation of this kit. The installation is not proper and complete until the operation of the converted appliance is checked as specified in the manufacturer's instructions supplied with the kit.

**Convert the appliance prior to installing the gas line to ensure proper gas use.**

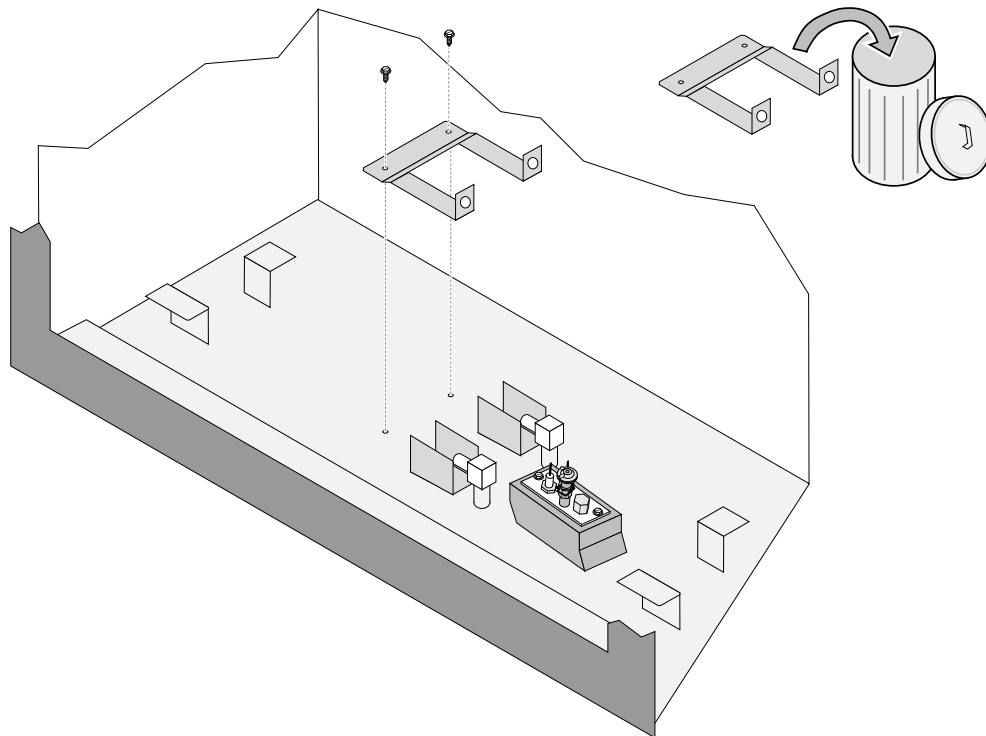
- 1 Access the firebox.
- 2 Remove the side ember trays.



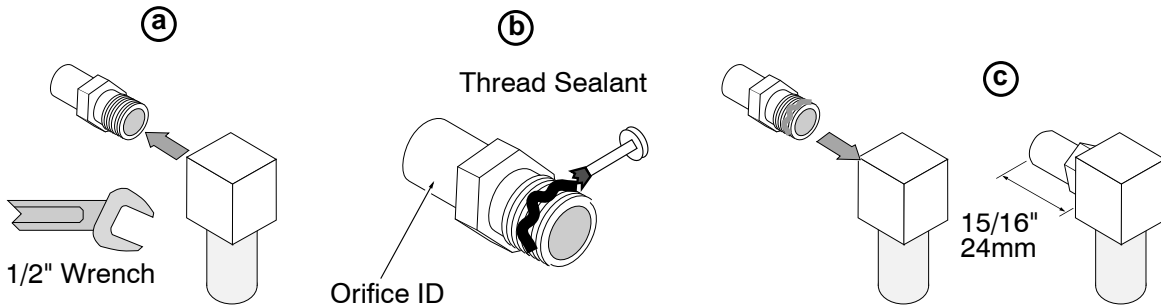
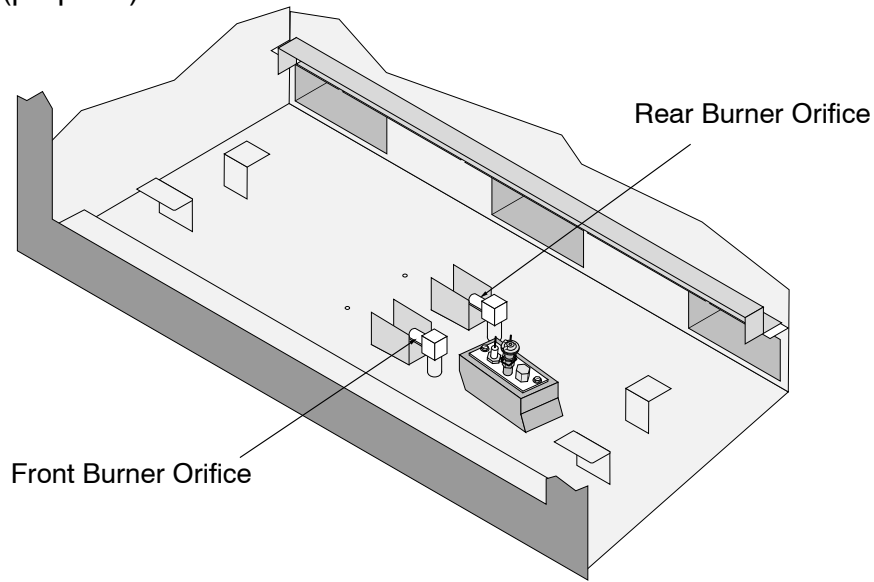
- 3 Grasp the burner with both hands and lift it straight up and out of the firebox. Discard the rear air deflector.



- 4 Discard the manifold cover (see below).

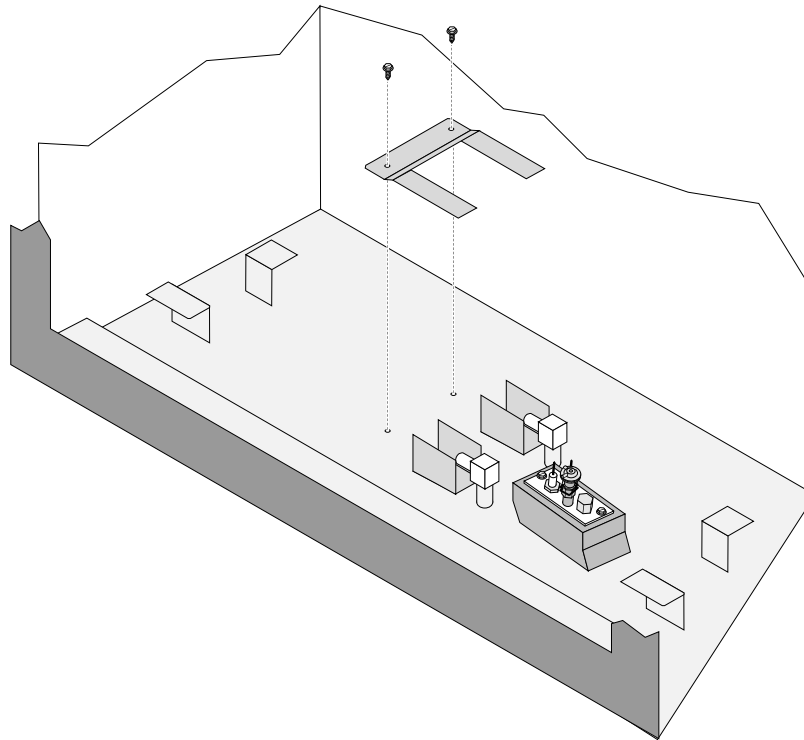


5 Install the LP (propane) orifices.



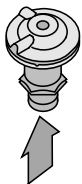
<b>ORIFICE SIZE (ID)</b>	Natural Gas	LP (Propane)
Front Burner Orifice	#49 DMS	#57 DMS
Rear Burner Orifice	#43 DMS	#53 DMS

- 6 Install the LP (propane) manifold cover included in owner's pack (see illustration below).

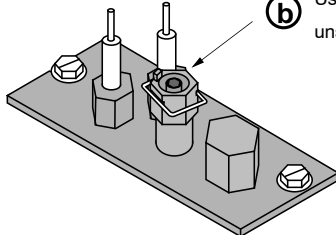


- 7 Remove the pilot orifice following the instructions below. Replace with the propane pilot orifice.

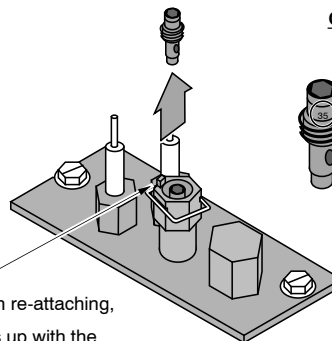
- a** Lift the pilot hood off the pilot assembly.



- b** Use a hex wrench to unscrew the orifice.



- c** Remove the orifice and replace with the LP orifice. Screw the orifice all the way in and replace the pilot hood.



**Orifice Identification:**

LP (Propane) Orifice

35

NG (Natural Gas) Orifice

62

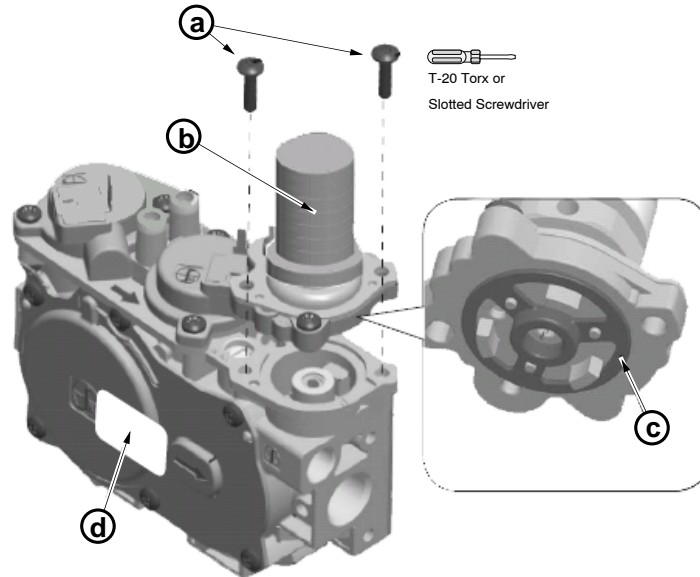
**NOTE:** when re-attaching, this pin lines up with the notch in the pilot hood.



Before replacing the burner, check the instructions for the type of media you are using (log, stone, or driftwood). Depending upon media type, you may be required to modify the stove.

- 8 Replace the burner, making sure it is correctly seated. Replace the ember trays.

- 9 Replace the regulator following the instructions included with the regulator kit. Remove and discard the screws (see “a” below) holding the stock regulator in place (see “b” below). Remove the stock regulator and gasket (see “c” below). Place the LP regulator in place, making sure the pre-fitted gasket (see “c” below) is in place.



**NOTE:** There is a label on the base of the regulator knob indicating regulator type (NG or LP). Secure the regulator with the screws included with the regulator – tighten to 25 lb-in of torque. Place the included label on the valve body where it can be easily seen to insure proper identification (“d”). **NOTE: Leak test this area after the heater is installed, gas is connected, and the main burner is lit.**

- 10 Restore the appliance to the correct configuration. Make the gas line connection, bleed the gas line (if applicable), start the heater and thoroughly leak-test all gas connections and the gas control valve.



Approved Vent Configurations .....	14	Installation Options .....	6
Adjusting the Blower Speed.....	29	Items Required for Installation .....	7
Adjusting the Flame Height.....	28	Leaking Gas.....	See Inst. on Cover
Air Shutter Adjustment .....	23	Listing Information .....	37
Altitude Considerations .....	13	Location of Controls.....	27
Blower Control.....	29	Media Installation.....	26
BTU Input .....	6	Maintenance .....	31
BTU Output .....	6	Measuring Vent Lengths.....	15
Cap (see vent termination).....	21	Noise (see Normal Operating Sounds).....	30
Chimney Cap (see vent termination) .....	21	Normal Operating Sounds .....	30
Clearances .....	9	Packing List.....	7
Condensation on Glass.....	28	Piping Installation (see Gas Line Install) .....	12
Corner Installation .....	9	Restrictor Position.....	14
Dimensions .....	6	Safety Label .....	37
Elbows.....	14	Safety Precautions.....	4
Finalizing the Installation.....	22	Starting the Stove for the First Time .....	28
Floor Protection .....	10	Thermostat Operation.....	28
Fuel .....	4	Turning the Stove On and Off.....	28
Gas Inlet Pressure .....	12	Vent Length (see "Vent Config.").....	15
Gas Line Connection .....	12	Vent Requirements .....	11
Gas Line Install .....	12	Vertical Vent Termination Requirements.....	21
Gas Smell.....	See Inst. on Cover	Warnings.....	4
Glass Installation and Removal .....	24	Warranty .....	40
Hearth Requirements.....	10	Water on Glass (see Condensation) .....	28
Heating Specifications .....	6	Weight.....	6
Horizontal Vent Termination Requirements.....	21	Wiring Diagram .....	35
		Yearly Service Procedure .....	33