



Cypress™ Direct Vent Freestanding Gas Fireplace



The Cypress features sleek, very clean lines and the choice of three interiors for a unique and timeless presentation of fire that lends itself to a wide range of architectural styles. The gentle radius-edges throughout accentuates its versatile design. What really makes the Cypress most unique is the incredibly large 749 square inches of fire viewing glass. This open, three-sided glass design allows you to view the incredible dancing-flames from any angle in the room. In addition to that you have the ability to choose your fire with a selection of three unique log/stone sets. A downward pointing accent light beautifully highlights the interior from the top down, giving the fire a radiance never before offered in a freestanding stove. This adjustable light can also be used when the fire is turned on low or even off to highlight the stove interior for year round enjoyment!

Features

- GreenSmart™ burner system
- Safety screen in front of glass included.
- Dancing-Fyre Burner features realistic glowing red embers and the most like fire of any gas stove.
- Easy to adjust air shutter.
- Durable 16 gauge steel construction
- Shut off valve included in fireplace
- Variable convection fan for increased heat transfer
- Accent Lights supplied as standard
- LPG conversion kit included at no additional cost

Specification

- 40Mj per hour (high) NG/ LPG
- 11.9Mj per hour (low) NG
- 7.2Mj per hour (low) LPG
- Glass Size:
 - Front - 667mm wide x 411mm high
 - Sides - 268mm wide x 390mm high
- Heating up to 180 sqm*

FEATURING



*Heating capacity varies according to floor plan, insulation & outside temperature



Cypress™ Options & Dimensions

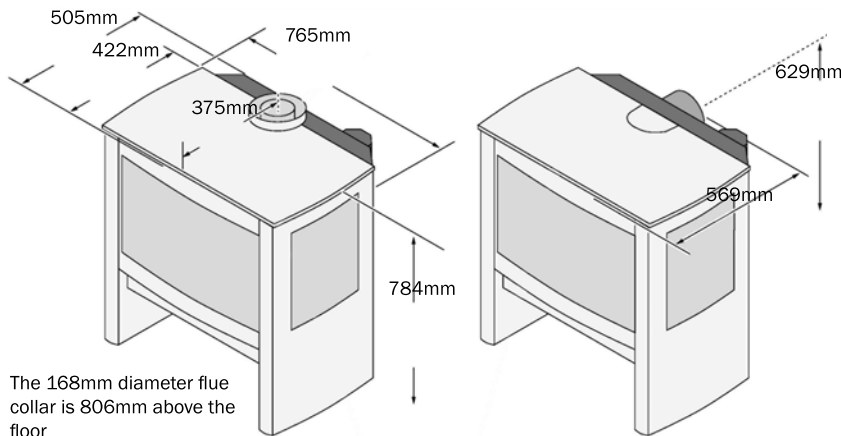


Radiant and Convective Heating

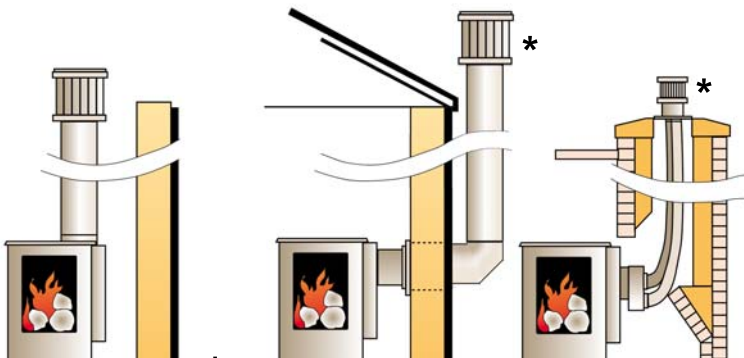
The Cypress provides heat in two ways. Radiant heat comes off the stove in straight lines. Think of warming your backside around a campfire. Radiant heat gives the room gentle warmth and comfort to everything in room. Convection heat works like a forced-air furnace. The built in heat exchanger harnesses the radiant energy from the fire and transfers it to the air as it naturally circulates around the firebox. The super-heated air is then delivered not just into the room but throughout the house through natural convection. The addition of the 165 CFM blower makes an excellent option for the stove by increasing the flow of air around the firebox. This makes it easier to move the heat out of the room and into the rest of the house.

Installation Specifications

Always refer to and use the installation manual for complete install information
Dimensions are subject to change at any time



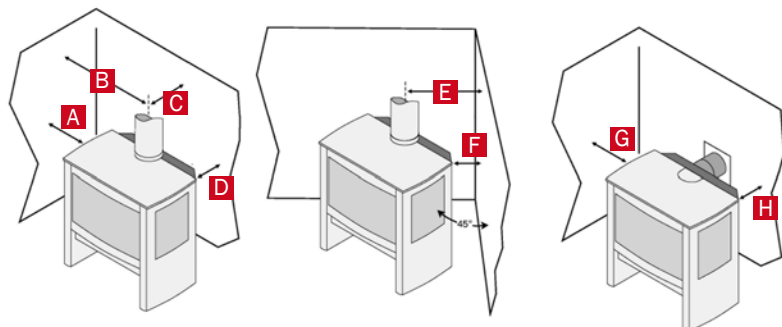
The 168mm diameter flue collar is 806mm above the floor



*A minimum of 3.6 metres of vertical flue required from base of heater when rear vented. Refer to manual

Stove Clearances to Combustibles

Straight Wall Installation Corner Installation Rear Vent Installation



- A** = Side Wall To Unit 254mm
- B** = Side Wall To Flue Center 638mm
- C** = Back Wall To Flue Center 175mm
- D** = Back Wall To Unit 127mm

- E** = Corner To Flue Center 420mm
- F** = Corner To Unit 127mm
- G** = Side Wall To Unit 254mm
- H** = Back Wall To Unit 210mm

Decorative Interior Options

The Cypress has the option of three decorative interior options, each with a distinctive and appealing look.



Detailed Six Piece Log-set



River Stones with glass floor media
Glass media comes in your choice of reflective Platinum, Bronze or Cobalt Blue.



Driftwood Fire Art with glass floor media
Glass media comes in your choice of reflective Platinum, Bronze or Cobalt Blue.

Optional Enamel Fireback



Optional GreenSmart Remote



Floor Protection Requirements

When the stove is installed directly on carpeting, vinyl or other combustible material other than wood flooring or a high pressure laminate wood floor, the stove must be installed on a metal or wood protection panel extending the full width and depth of the heater (Suggested Minimum Pad Size: 810mm wide by 510mm deep.)

Authorised Lopi Dealer:



Distributed in Australia
by Dragon Wholesaling Pty Ltd
Ph. 1800 064 234
www.lopi.com.au