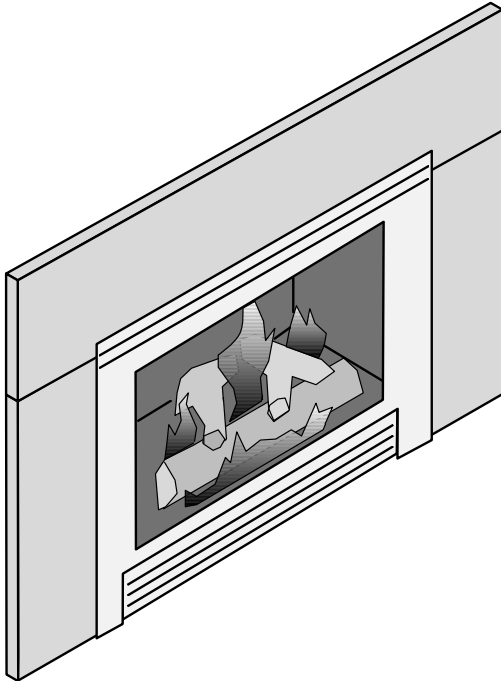




**TRAVIS INDUSTRIES  
HOUSE OF FIRE**



# DVS GSR (AU) Inbuilt GREEN SMART™

## Owner's Manual

Featuring the



Burner

Listed by



AS 4553-2008  
GMK10034  
IAPMO-R&T OCEANA

- Direct Vent Fireplace Insert
- Masonry or Factory Built (Metal) Wood-Burning Fireplace
- Residential or Mobile Home

**WARNING:** If the information in these instructions is not followed exactly, a fire or explosion may result causing property damage, personal injury or loss of life.

- DO NOT PLACE ARTICLES ON OR AGAINST THIS APPLIANCE.
- DO NOT USE OR STORE FLAMMABLE MATERIALS NEAR THIS APPLIANCE.
- DO NOT SPRAY AEROSOLS IN THE VICINITY OF THIS APPLIANCE WHILE IT IS IN OPERATION.
- DO NOT MODIFY THIS APPLIANCE.
- Do not store or use gasoline or other flammable vapors and liquids in the vicinity of this or any other appliance.

#### WHAT TO DO IF YOU SMELL GAS

- Do not try to light any appliance.
- Do not touch any electrical switch; do not use any phone in your building.
- Immediately call gas supplier from a neighbor's phone. Follow the gas supplier's instructions.
- If you cannot reach your gas supplier, call the fire department.
- Installation and service must be performed by a qualified installer, service agency or the gas supplier.

This appliance may be installed in an aftermarket permanently located, manufactured home (USA only) or mobile home, where not prohibited by local codes.

This appliance is only for use with the type(s) of gas indicated on the rating plate. A conversion kit is supplied with the appliance.

**Installer:** After installation give this manual to the home-owner and explain operation of this heater.

Dragon Wholesaling Pty. Ltd.  
Unit 2, 16 Lexington Drive  
Bella Vista NSW  
Australia 2153



## **Introduction and Important Information**

Introduction .....	2
--------------------	---

## **Safety Precautions**

Safety Precautions .....	4
--------------------------	---

## **Features & Specifications**

Features .....	6
Installation Options .....	6
Heating Specifications .....	6
Dimensions .....	6

## **Installation**

Installation Warnings .....	7
Packing List .....	7
Additional Items Required .....	7
Items Packed with the Face .....	7
Order of Installation .....	7
Top Convection Deflector .....	8
Fireplace Requirements .....	8
Factory-Built (Metal) Wood-Burning Fireplace Requirements .....	9
Clearances .....	10
Mantel Clearances .....	10
Gas Line Requirements .....	13
Gas Line Location .....	13
Gas Inlet Pressure .....	13
Vent Requirements .....	14
Altitude Considerations .....	14
Vent Restrictor .....	15
Vent Installation .....	15
Vent Location .....	16
Vent Configurations .....	16
Vent Connector Removal and Installation .....	17
Surround Panel Installation .....	19

## **Finalizing the Installation**

Glass Frame Removal and Installation .....	20
Log Set Installation .....	22
Steps for Finalizing the Installation .....	26
Air Shutter Adjustment .....	27

## **Operation**

Before You Begin .....	28
Starting the Heater for the First Time .....	29
Location of Controls .....	29
Normal Operating Sounds .....	36
Normal Operating Odors .....	36

## **Maintenance**

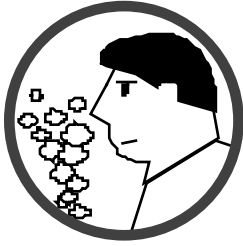
Maintaining Your Heater's Appearance .....	37
Troubleshooting Table .....	39
Wiring Diagram .....	40
Replacement Parts List .....	41

## **Optional Equipment**

LP Conversion Instructions .....	42
Firebacks .....	45

## **Index**

Index .....	46
-------------	----



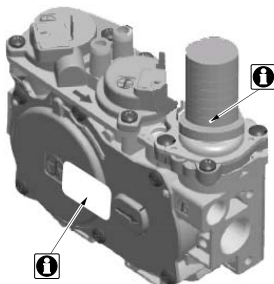
### **IF YOU SMELL GAS:**

- \* Do not light any appliance
- \* Extinguish any open flame
- \* Do not touch any electrical switch or plug or unplug anything
- \* Open windows and vacate building
- \* Call gas supplier from neighbor's house, if not reached, call fire department



This unit must be installed by a qualified installer to prevent the possibility of an explosion. Your dealer will know the requirements in your area and can inform you of those people considered qualified. The room heater should be inspected and cleaned before use and at least annually by a qualified service person. More frequent cleaning may be required due to excessive lint from carpeting, bedding material, etc.

The instructions in this manual must be strictly adhered to. Do not use makeshift methods or compromise in the installation. Improper installation will void the warranty and safety listing.



This heater is either approved for natural gas (NG) or for propane (LP). Burning the incorrect fuel will void the warranty and safety listing and may cause an extreme safety hazard. Direct questions about the type of fuel used to your dealer. Check for a label on the flame adjust knob on the gas control valve (this is the best place to check). You may also check for a label on the gas control valve body.



Contact your local building officials to obtain a permit and information on any installation restrictions or inspection requirements in your area. Notify your insurance company of this heater as well.



If the flame becomes sooty, dark orange in color, or extremely tall, do not operate the heater. Call your dealer and arrange for proper servicing.



It is imperative that control compartments, screens, or circulating air passageways of the heater be kept clean and free of obstructions. These areas provide the air necessary for safe operation.



Do not operate the heater if it is not operating properly in any fashion or if you are uncertain. Call your dealer for a full explanation of your heater and what to expect.



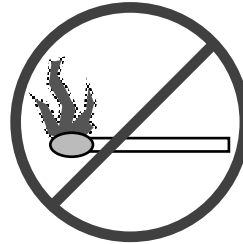
Do not store or use gasoline or other flammable liquids in the vicinity of this heater.



Do not operate if any portion of the heater was submerged in water or if any corrosion occurs. Immediately call a qualified service technician to inspect the appliance and to replace any part of the control system that has been under water.



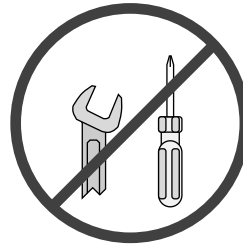
- Do not place clothing or other flammable items on or near the heater. Because this heater can be controlled by a thermostat there is a possibility of the heater turning on and igniting any items placed on or near it.



- Light the heater using the built-in igniter. Do not use matches or any other external device to light your heater.
- Allow the heater to cool before carrying out any maintenance or cleaning.



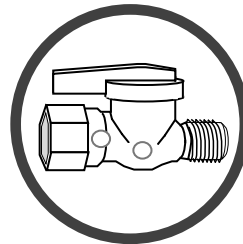
- The viewing glass should be opened only for lighting the pilot or conducting service.
- Any safety screen or guard removed for servicing must be replaced prior to operating the heater.
- Do not operate with the glass removed or damaged.



- Never remove, replace, modify or substitute any part of the heater unless instructions are given in this manual. All other work must be done by a trained technician. Don't modify or replace orifices.



- Operate the heater according to the instructions included in this manual.
- If the main burners do not start correctly turn the gas off at the gas control valve and call your dealer for service.



- Instruct everyone in the house how to shut gas off to the appliance and at the gas main shutoff valve. The gas main shutoff valve is usually next to the gas meter or propane tank and requires a wrench to shut off.



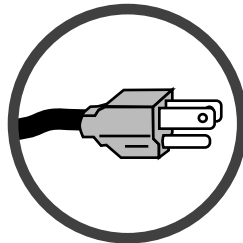
- This unit is not for use with solid fuel
- Do not place anything inside the firebox (except the included fiber logs).
- If the fiber logs become damaged, replace with Travis Industries log set.



- Do not throw this manual away. This manual has important operating and maintenance instructions that you will need at a later time. Always follow the instructions in this manual.



- Children and adults should be alerted to the hazards of high surface temperature and should stay away to avoid burns or clothing ignition. Young children should be supervised when they are in the same room as the heater.



- Plug the heater into a 240V grounded electrical outlet. Do not remove the grounding plug.
- Don't route the electrical cord in front of, over, or under the heater



- Travis Industries, Inc. grants no warranty, implied or stated, for the installation or maintenance of your heater, and assumes no responsibility of any consequential damage(s).**

**Features**

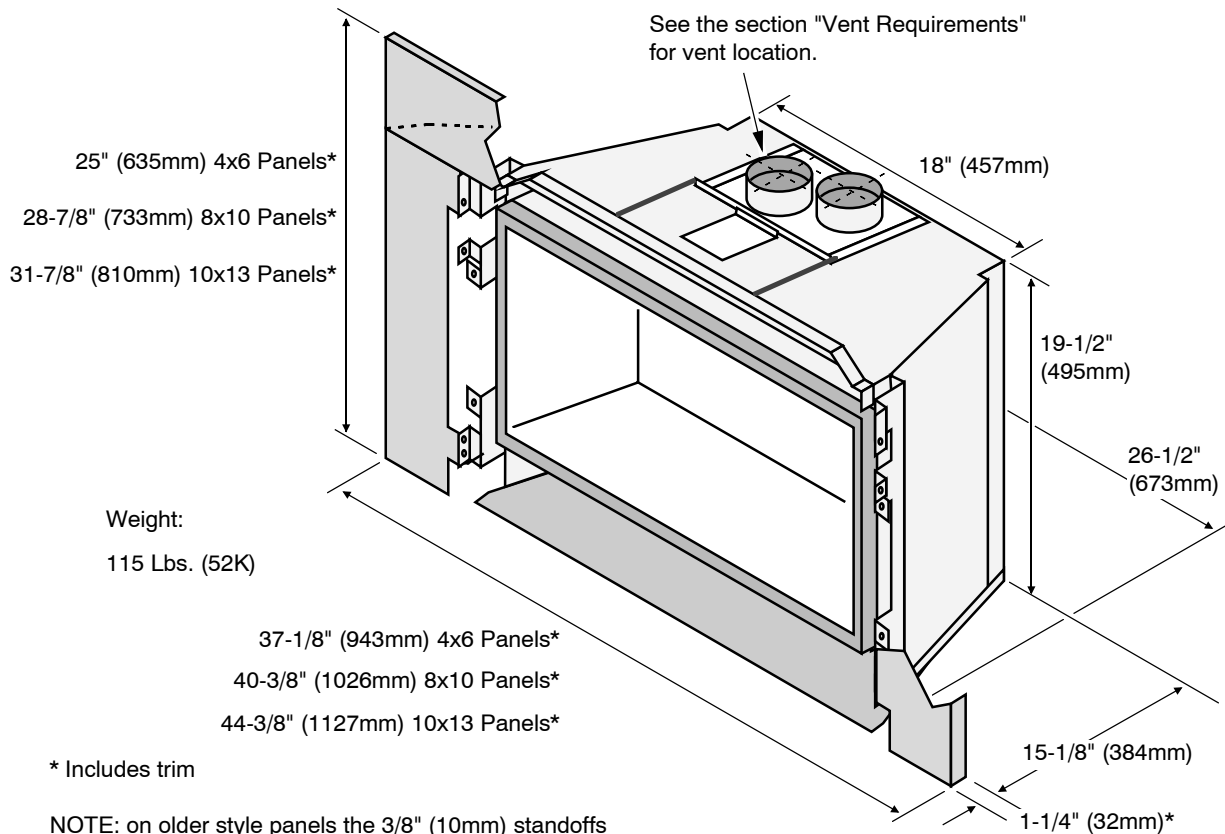
- Ember Fyre™ Burner for "Wood Fire" Look
- Works During Power Outages (battery backup system)
- Blower and Remote Control Included
- Standing or Intermittent (GreenSmart) Pilot
- Convenient Operating Controls
- Variable-Rate Heat Output
- Accent Light

**Installation Options**

- Residential or Mobile Home
- Fireplace Insert
- Masonry or Factory Built (Metal) Wood-Burning Fireplace

**Heating Specifications**

	Natural Gas	Propane
Maximum Input (Mj/h)	32.7	32.7

**Dimensions****Fuel:**

This heater is shipped in natural gas (NG) configuration but may be converted to propane (LP) using a conversion kit. The sticker on top of the gas control valve will verify the correct fuel.

## ***Installation Warnings***

---

- Failure to follow all of the requirements may result in property damage, bodily injury, or even death.
- This heater must be installed by a qualified installer who has gone through a training program for the installation of direct vent gas appliances.
- This appliance must be installed in accordance with all local codes, if any; if not, follow ANSI Z223.1 and NFPA 54(88).
- In Manufactured or Mobile Homes must conform with Manufactured Home Construction and Safety Standard, Title 24 CFR, Part 3280, or, when such a standard is not applicable, the Standard for Manufactured Home Installations, ANSI/NCSBCS A225.1. This appliance may be installed in Manufactured Housing only after the home is site located.
- The heater is designed to operate on natural gas, or propane (LP).
- All exhaust gases must be vented outside the structure of the living-area. Combustion air is drawn from outside the living-area structure.
- Notify your insurance company before hooking up this heater.
- The requirements listed below are divided into sections. All requirements must be met simultaneously. The order of installation is not rigid – the qualified installer should follow the procedure best suited for the installation.

## ***Packing List***

---

- LP Conversion Kit
- Log Set
- Cove Covers
- Panel Trim Cover-Up Labels (see page 19)
- "Fireplace Altered" tag (attach to the fireplace)
- Remote Control
- Cover Plate for Receiver (with screws)

## ***Additional Items Required***

---

- Faceplate
- Simpson Duravent 6-5/8" to 3" & 3" Co-Linear Adapter with flashing
- 3" (76mm) Diameter Gas Liner (2)
- Direct Vent Cap (Use Simpson Duravent High Wind Cap)
- Gas Line Equipment (shutoff valve, pipe, etc.)

## ***Items Packed with the Face***

---

- Face with attachment hardware (Note: use the cove covers included with the heater)
- Face Installation Instructions

## ***Order of Installation***

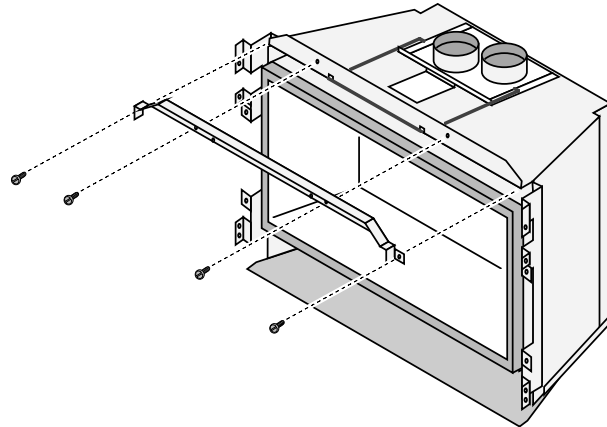
---

- 1 If the heater is to use LP (propane), convert the appliance (see page 42).
- 2 Install gas line into the fireplace (do not connect to unit).
- 3 Position the heater.
- 4 Connect the gas line and gas vent to the appliance.
- 5 Install the optional surround panels and trim. Attach the on/off switch.
- 6 Follow the instructions under "Finalizing the Installation" on page 26.

### Top Convection Deflector

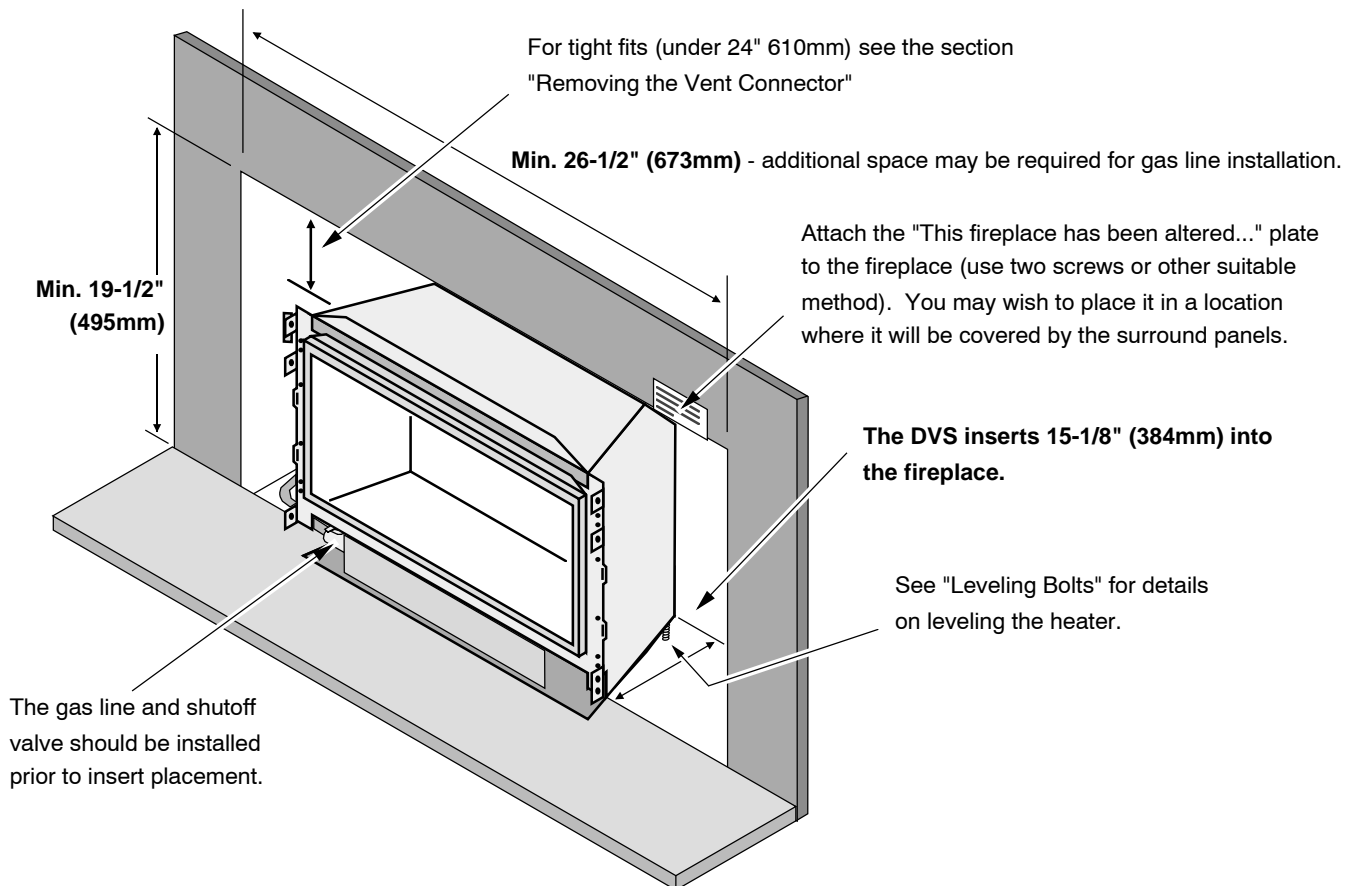
Install the top convection deflector as shown to the right.

The deflector is shipped on top of the insert. The screws are shipped inside the owner's pack.



### Fireplace Requirements

- Insert must be placed within a code-conforming masonry fireplace or tested and listed factory-built (metal) wood-burning fireplace. Repair any fireplace damage prior to installation.
- Because the insert uses a circulation blower, clean the fireplace, smoke shelf, and chimney prior to installation.
- This heater may be placed in a bedroom. Please be aware of the large amount of heat this appliance produces when determining a location.



## Factory-Built (Metal) Wood-Burning Fireplace Requirements

**NOTE:** Any parts that are removed must be removed in a way that would allow them to be re-installed if the insert is ever removed (removal of rivets or screws is acceptable).

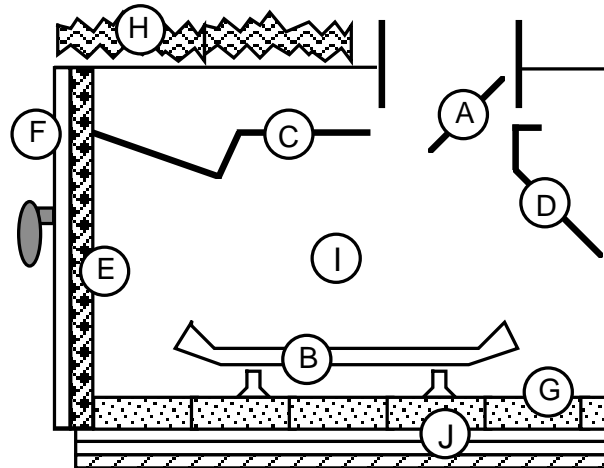
The damper ("A") and grate (with log set) ("B") must be removed (see the illustration below)

The smoke shelf ("C"), internal baffles ("D"), screen ("E"), masonry lining or refractory ("G" & "I"), and metal or glass doors ("F") may be removed (if applicable)

The fireplace must be permanently marked to indicate that it has been altered and is no longer suitable for burning solid fuel (wood), unless the removed parts are re-installed. Cutting of any sheet metal parts is prohibited, except the metal floor ("J") as noted below.

The insulation ("H"), and any structured rigid frame members must not be removed or altered (side and top of door frame, side and top of the face of the fireplace, metal sides, etc.).

The metal floor ("J") may be removed to allow additional room for installation of the insert. If the floor is removed the insert must be placed directly on the metal base of the metal fireplace.



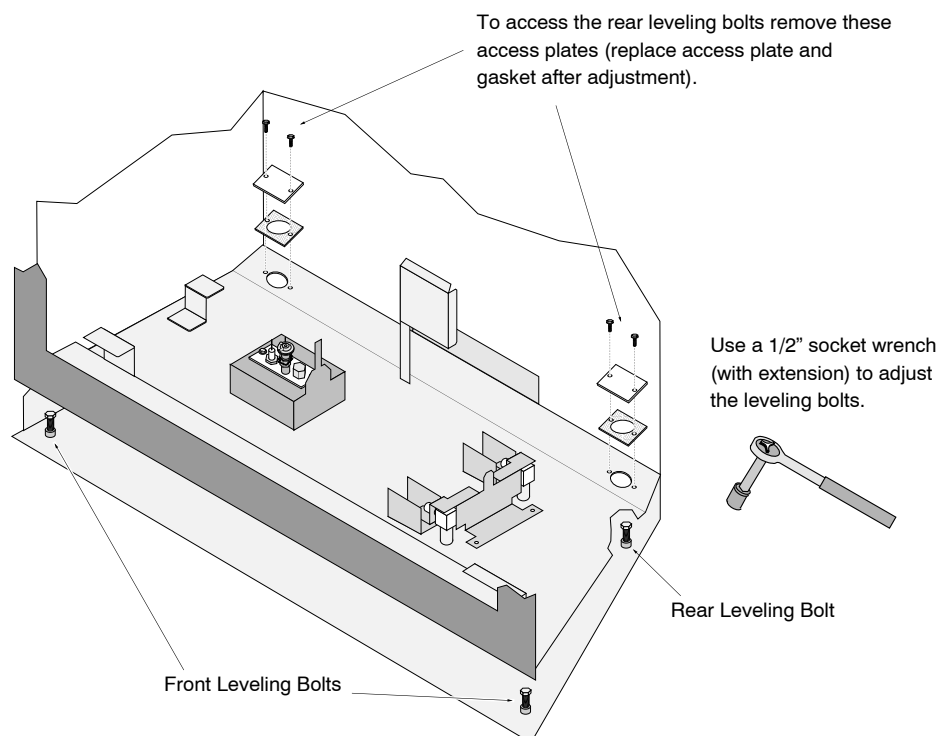
## Hearth Requirements

The heater and face must not contact combustible surfaces. A non-combustible hearth extension is not required. However, if the heater is installed next to the floor, we recommend a hearth to protect the flooring surface from discoloration or other negative impact from the heater.

## Leveling Bolts

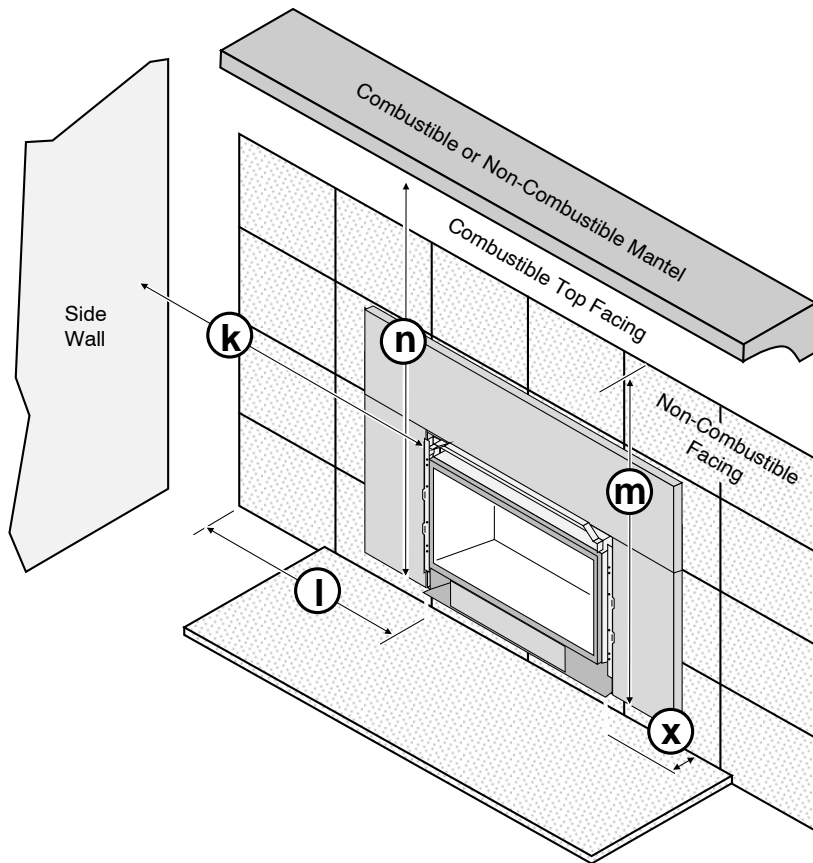
This heater includes front and rear leveling bolts to accommodate fireplaces with a step-down firebox.

**NOTE:** To access the rear leveling bolts, remove the burner (see page 45).



## Clearances

Due to the high temperature of the heater, it should be located out of traffic and away from furniture and draperies.



## Minimum Clearances

<b>k</b>	Sidewall to Insert	4-1/2" (114mm)
<b>l</b>	Side Facing	4-1/2" (114mm)
<b>m</b>	Top Facing	35" * (889mm)
<b>n</b>	Mantel	35" * (889mm)
<b>x</b>	Extension onto Hearth	1-1/4" (32mm)

\* Measured from the base of the insert.

## Mantel Clearances

The maximum mantel depth is 12" (305mm).

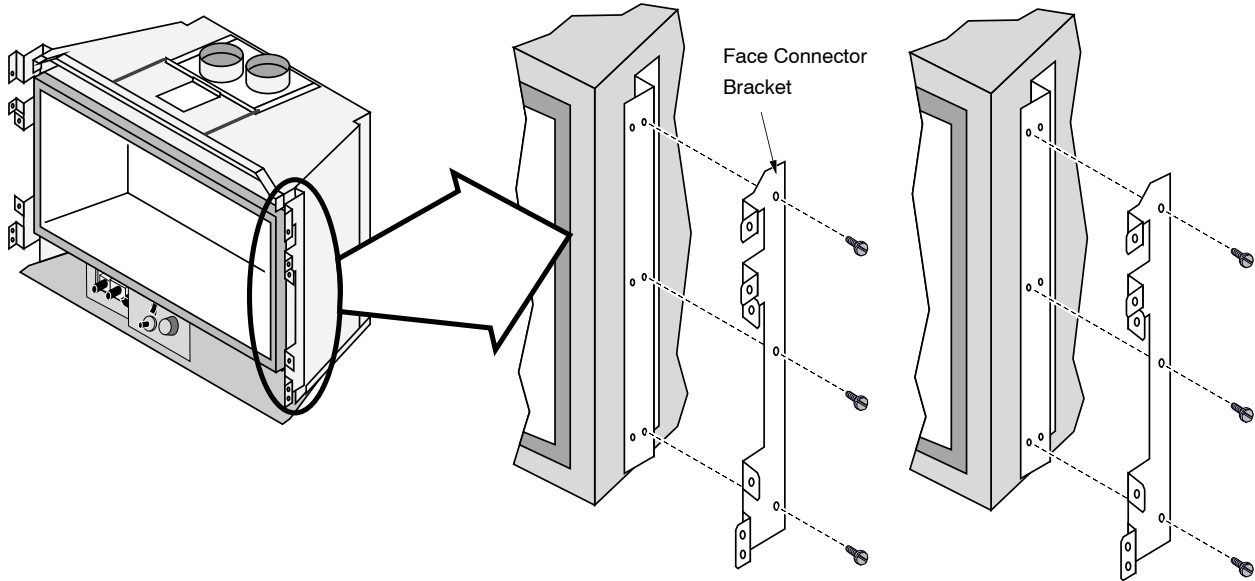
NOTE: The combustible area above the facing must not protrude more than 3/4" (19mm) from the facing. If it does, it is considered a mantel and must meet the mantel requirements listed in this manual.

**Modifying the Face Connector for Discovery, Rosario, and Artisan Faces**

The Discovery, Rosario, and Artisan face require re-positioning of the face connector. See the directions below for details.

Remove the face connector bracket from the heater (on both sides).

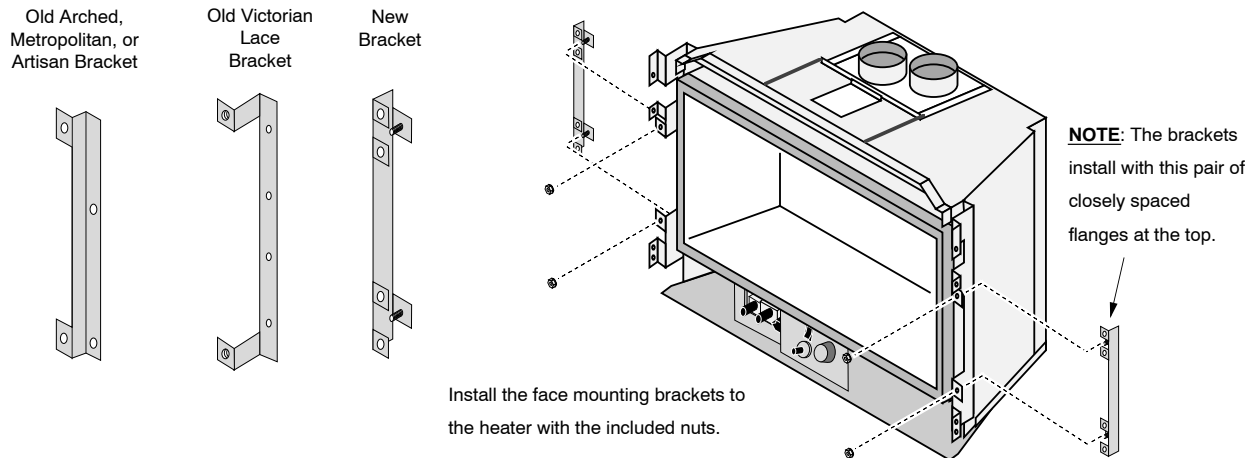
Re-attach the face connector to the heater using the forward mounting holes.



### Face Mounting Brackets -- Arched, Metropolitan, Artisan Vict. Lace Faces

Some Arched, Artisan, Metropolitan, and Victorian Lace Faces include old brackets that will not mount to the heater (see illustration below). For these faces, make sure to use the new mounting brackets (either included with the heater or available through your dealer - SKU 250-00519).

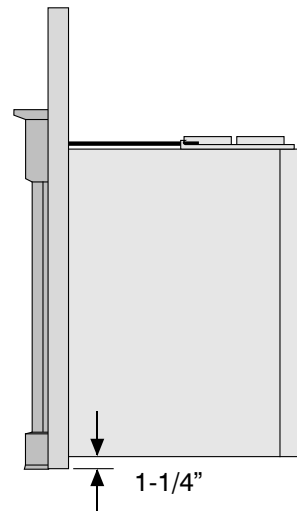
**WARNING:** When attaching the Victorian Lace Face, **do not over-tighten the screws.** Over-tightening the screws may damage the face – simply tighten the screws until they contact the face.



NOTE: The face attaches to the brackets with the screws included with the face – see the instructions included with the face.

### Mounting the Bedford Face

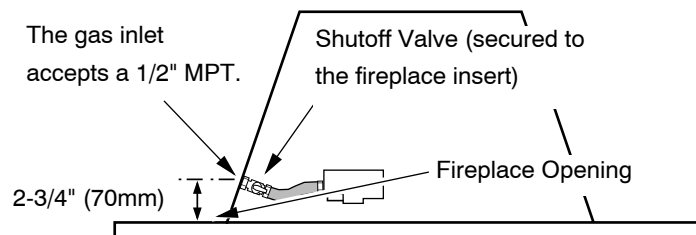
Some Bedford Faces include old brackets that will not mount to the heater. For these faces, make sure to use the new DVS Insert EF II Face Upgrade Kit (either included with the face or available through your dealer - SKU 250-00029). The kit lowers the face and surround panels 1-1/4". This means you must install this with a raised fireplace or raise the insert 1-1/4" above the hearth. To do this you may extend the leveling bolts or place bricks or other non-combustible under the insert.



## Gas Line Requirements

- The gas line must be installed in accordance with all local codes, if any; if not, follow ANSI 223.1 and the requirements listed below.
- A manual shutoff valve is required within 3' of the heater. It should be placed upstream of the flex line (if used) and may be installed behind the access door inside the heater. ).
- The heater and gas control valve must be disconnected from the gas supply piping during any pressure testing of that system at test pressures in excess of 1/2 psig. For pressures under 1/2 psig, isolate the gas supply piping by closing the manual shutoff valve.
- Leak test all gas line joints and the gas control valve prior to and after starting the heater.
- This heater is designed either for natural gas or for propane (but not for both). Check the sticker on the top of the gas control valve to make sure the correct fuel is used (see illustration on page 4).
- Installation must be performed by a qualified installer, service agency or the gas supplier (In Massachusetts a licensed plumber/gasfitter).

## Gas Line Location



## Gas Inlet Pressure

	Standard Input Pressure
Natural Gas	7" W.C. (1.74 kPA)
Propane	13" W.C. (2.73 kPA)

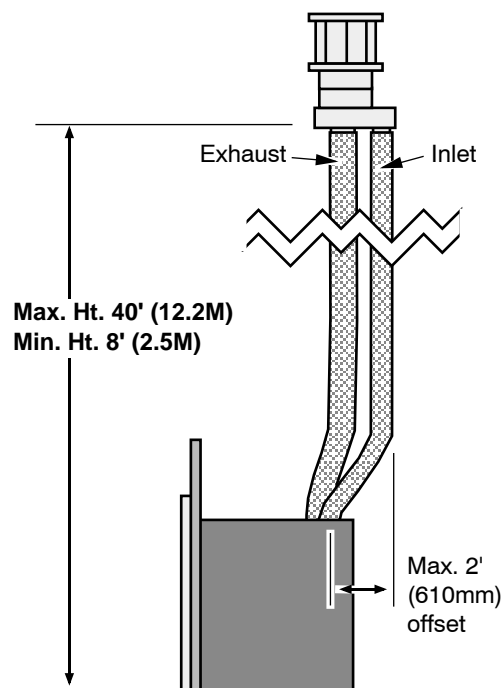
- If the pressure is not sufficient, make sure the piping used is large enough, the supply regulator is adequately adjusted, and the total gas load for the residence does not exceed the amount supplied.
- The supply regulator (the regulator that attaches directly to the residence inlet or to the propane tank) should supply gas at the suggested input pressure listed above. Contact the local gas supplier if the regulator is at an improper pressure.

## Electrical Connection

- Route the power cord out of the access hole on the right side of the appliance.
- Plug the power cord into a grounded 240 Volt outlet (do not remove the grounding pin).
- The electrical connection may also be made using the optional Wiring Kit (SKU 97200315).

## Vent Requirements

- The gas appliance and vent system must be vented directly to the outside of the building, and never be attached to a chimney serving a separate solid fuel or gas-burning appliance. Each direct vent gas appliance must use its own separate vent system.
- Make sure the exhaust pipe on the heater connects to the exhaust portion of the cap. The illustrations below show how the flex liners should be attached.
- The exhaust vent must reline the entire length of the chimney and terminate above the chimney top
- Be careful not to crimp or rupture the liner when bending it into chimney offsets
- When installed, the vent must meet all of the vent manufacturer's requirements
- Make sure to use the following:
  - 3" (76mm) UL 441 or 1775 Gas Liner for Exhaust and Air Inlet
  - Simpson DuraVent 6-5/8" to 3" & 3" Co-Linear Adapter and Flashing
  - Simpson DuraVent High-Wind Vertical Termination Cap



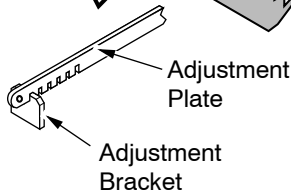
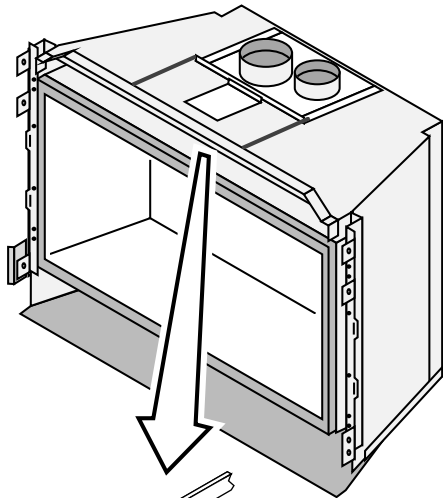
## Altitude Considerations

- This heater has been tested at altitudes ranging from sea level to 8,000 feet (2,400 M). In this testing we have found that the heater, with its standard orifice, burns correctly with just an air shutter adjustment.
- Failure to adjust the air shutter properly may lead to improper combustion which can create a safety hazard. Consult your dealer or installer if you suspect an improperly adjusted air shutter.

## Vent Restrictor

**WARNING:** Restrictor adjustment should only be done by a qualified installer.

Only those installations determined to be over-drafting require this adjustment. The best indication of over-drafting is a hyper-active flame pattern (flames that move too quickly). If the air shutter is constricted, the flames become short and yellow, yet still very active. Over-drafting may affect the pilot, but this is not the best way to determine over-drafting. Over-drafting is most likely in tall venting configurations (especially if using an "Exhaust Only Re-Line"). Do not over-restrict the vent (this leads to ghosting or lifting flames - reduce restrictor setting).



This restrictor is in position 1 (factory setting).

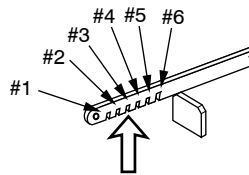
### To Access the Restrictor:

Remove the face.

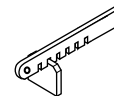
**WARNING:** Use a glove to protect your hand from burns.

### To Adjust the Restrictor:

- 1 Determine a restrictor position. Start low (move the restrictor a maximum two positions at a time) and thoroughly test the heater before adjusting further.
- 2 Lift up the adjustment plate and move it so the correct notch falls into the slot on the adjustment bracket.

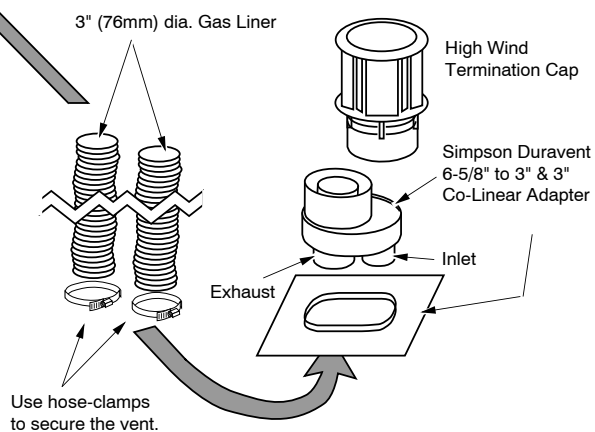
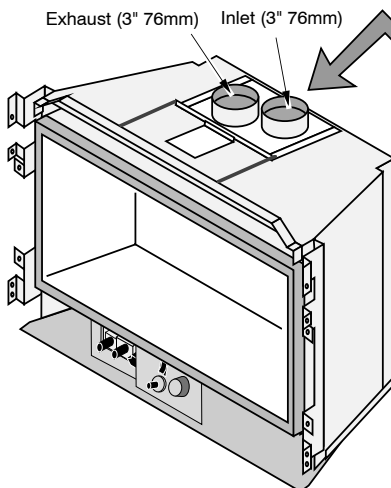


To adjust, lift up on the adjustment plate and push it back (use pliers if necessary).



This restrictor is in position 2.

## Vent Installation

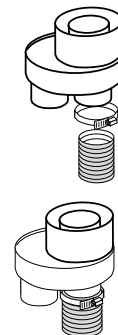


Use hose-clamps to secure the vent.

Alternative Method: use high-temperature silicone and secure with screws.

Use hose-clamps to secure the vent.

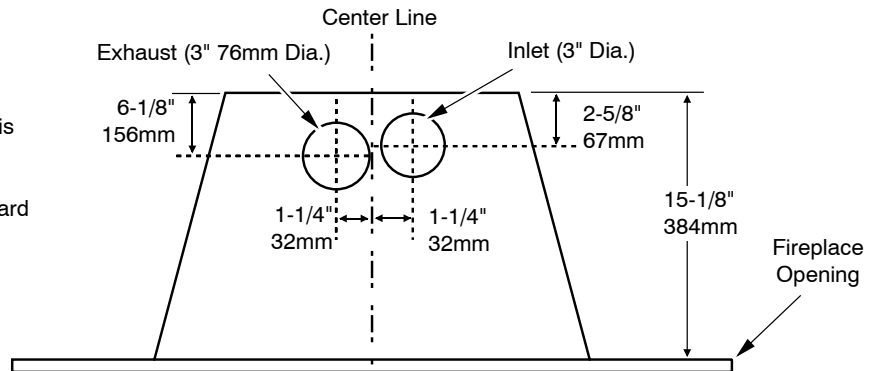
Alternative Method: use high-temperature silicone and secure with screws.



**Vent Location**

- A vent restrictor is built into the appliance to adjust the flow rate of exhaust gases. This ensures proper combustion for all vent configurations. Depending upon the vent configuration, you may be required to adjust the restrictor position.

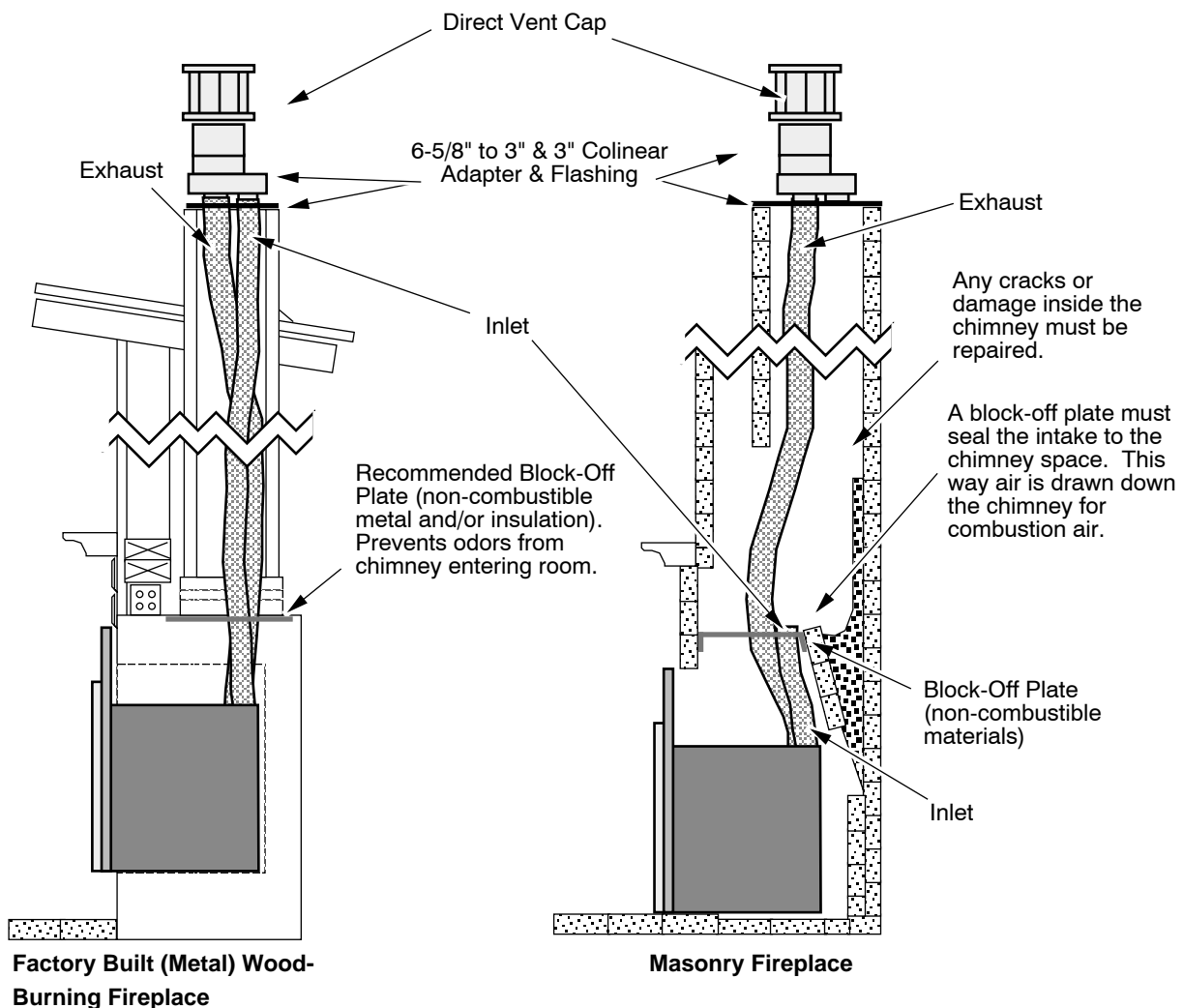
**NOTE:** Vent location changes based upon restrictor position. Position # 1 is shown to the right. Each restrictor position moves the vent location forward (toward the fireplace opening) approximately 1/4" (6mm).



**Vent Configurations**

**Inlet & Exhaust Re-Line**

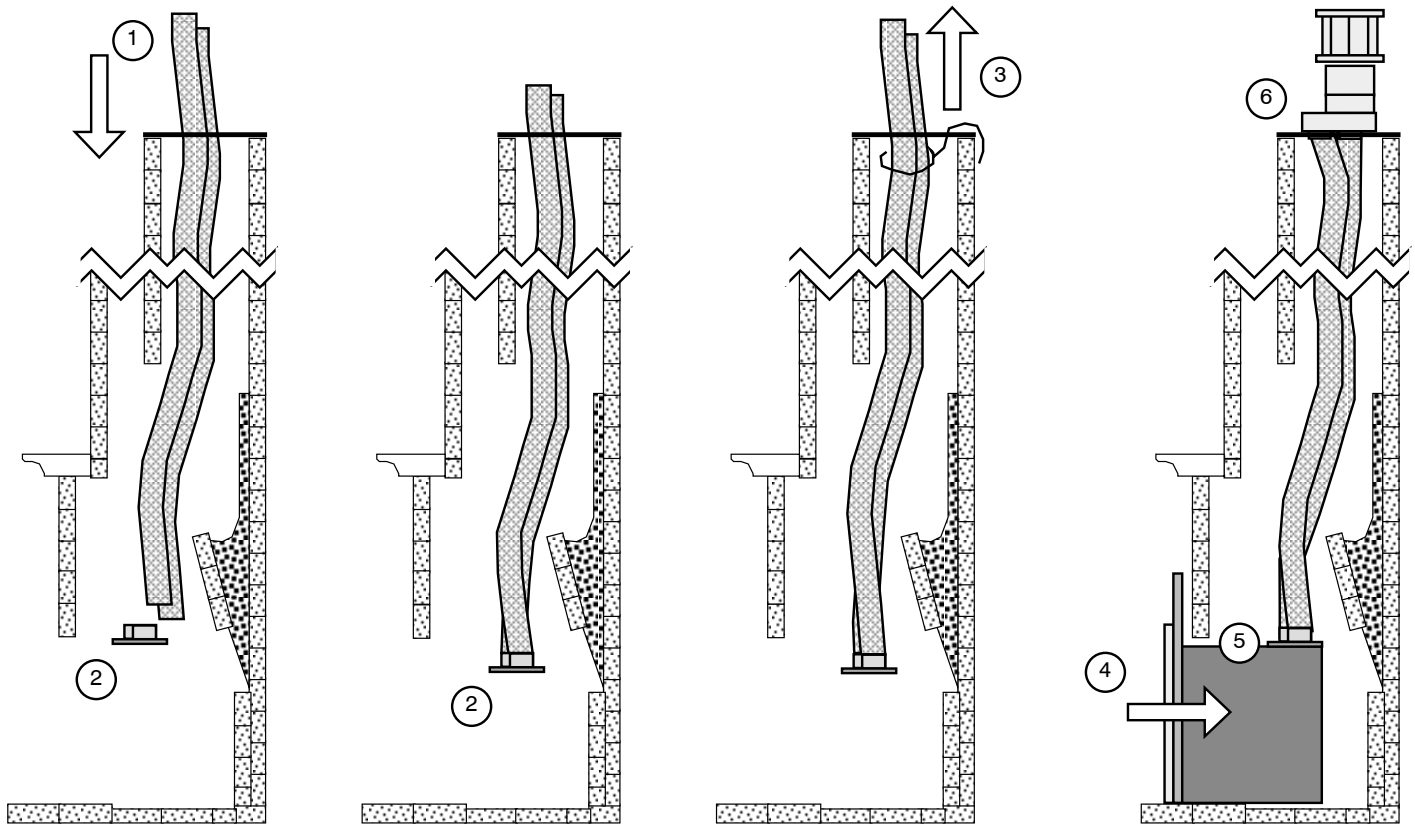
**Exhaust Only Re-Line**



**NOTE:** You may use either re-line configuration with a masonry or zero-clearance fireplace.

## Vent Connector Removal and Installation

- The vent connector is shipped attached to the insert, but may be removed to facilitate tight installations. See the directions below for installation.
- Route the flex vent through the chimney from above (leave an extra 3' 1M at the top). Make sure the flex is thoroughly stretched.
  - Remove the vent connector and attach it to the flex vent (see the instructions on the following page). NOTE: be careful of the anti-seize on the connector – it will stain clothing, etc.
  - Pull on the flex vent until the vent connector is at the same height as the insert. Temporarily attach the flex vent to the top of the chimney (leave extra slack).
  - Slide the insert into place, guiding the vent connector into the guides on top of the insert.
  - Attach the vent connector to the appliance (see the following page for details).
  - Remove any excess slack in the flex line and attach the vent termination.

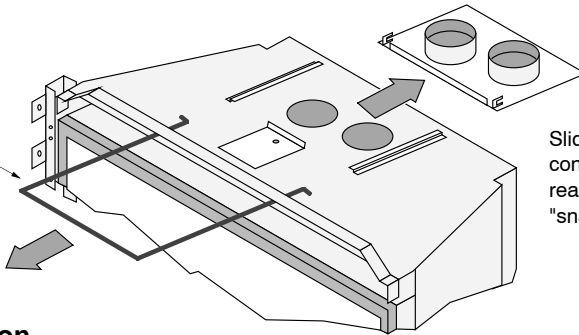


Vent Connector Removal and Installation (continued)

**Vent Connector Removal**

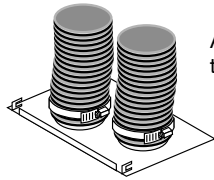
Pull the vent connector rod forward.

**WARNING:** The anti-seize on the vent connector can stain clothing, carpets, or other items.

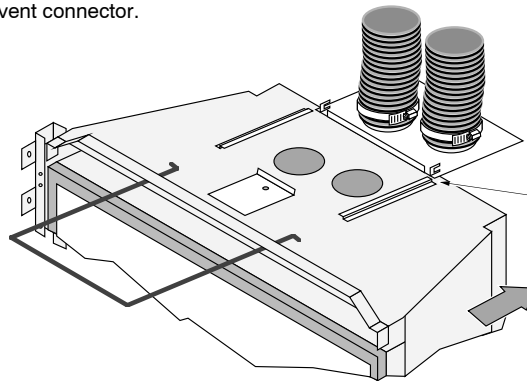


Slide the connector to the rear. It will "snap" out.

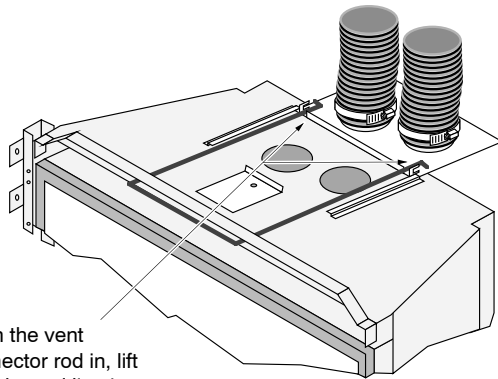
**Vent Connector Installation**



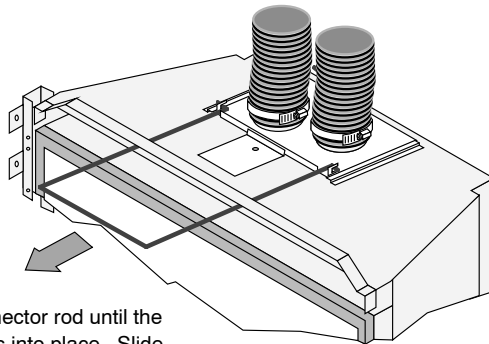
Attach the flex vent to the vent connector.



Slide the insert into place, lining up these guides with the edges of the vent connector.



Push the vent connector rod in, lift slightly, and line it up so the tabs on the end of the rod engage the hooks on the vent connector



Pull on the vent connector rod until the vent connector snaps into place. Slide the vent connector rod in to conceal it.

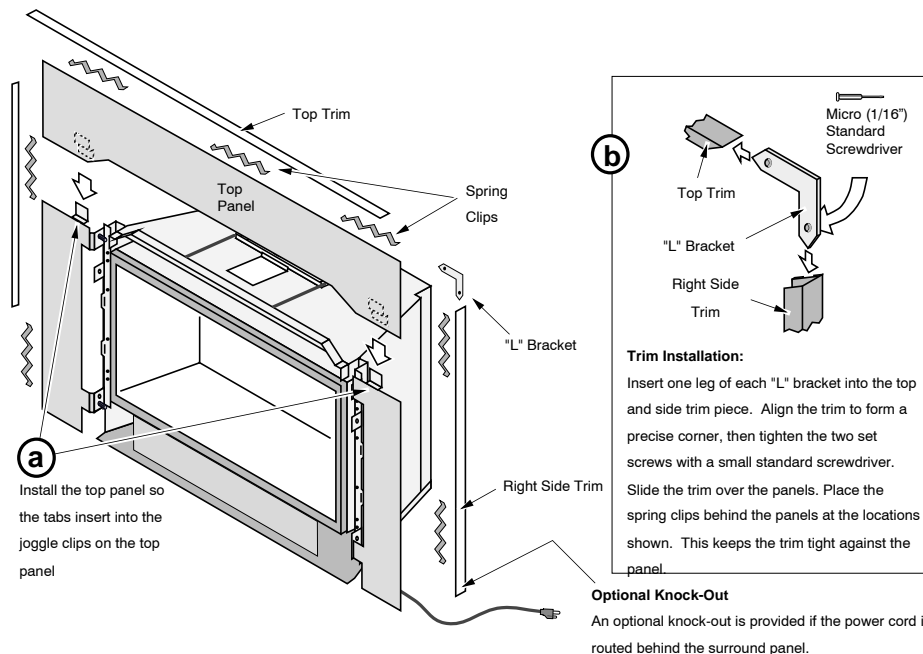
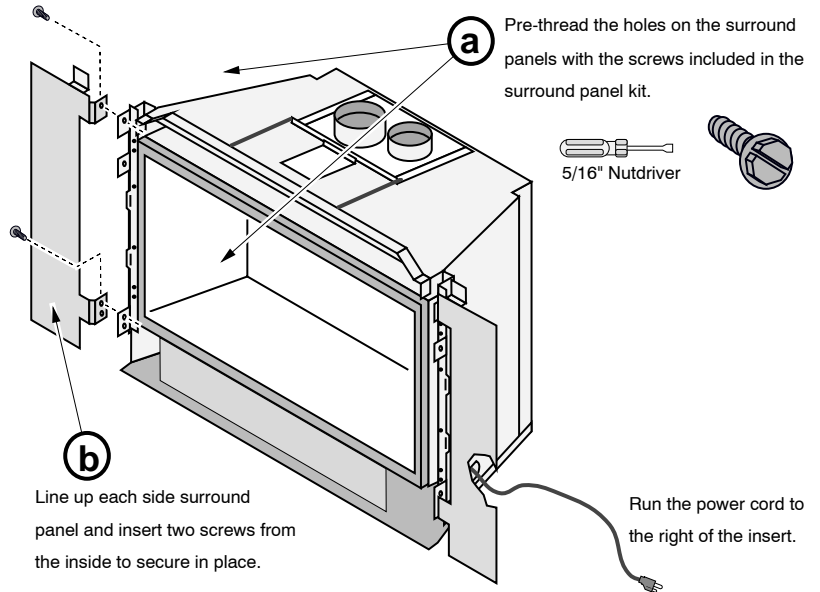
## Surround Panel Installation

PANEL SIZE	WIDTH	HEIGHT	PART #
8" x 10" Rectangular	40-3/8" 1026mm	28-7/8" 733mm	96100301
Arched (8" x 10")	40-3/8" 1026mm	28-7/8" 733mm	98500605
10" x 13" Rectangular	44-3/8" 1127mm	31-7/8" 810mm	96100302
4" x 6" Rectangular	37-1/8" 943mm	25" 635mm	96100300

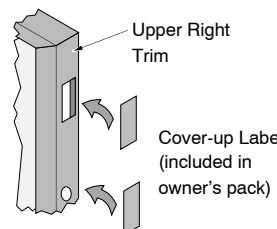
**NOTE:** The insert may be installed without surround panels.

1 Follow the directions to the right to install the side panels.

2 Follow the directions below to install the top panel.



3 Some surround panel trim will have pre-cut holes in the trim (see picture to the right). Use the black cover-up labels included in the owner's pack to conceal these holes if not being used for the on/off switch or optional blower rheostat.

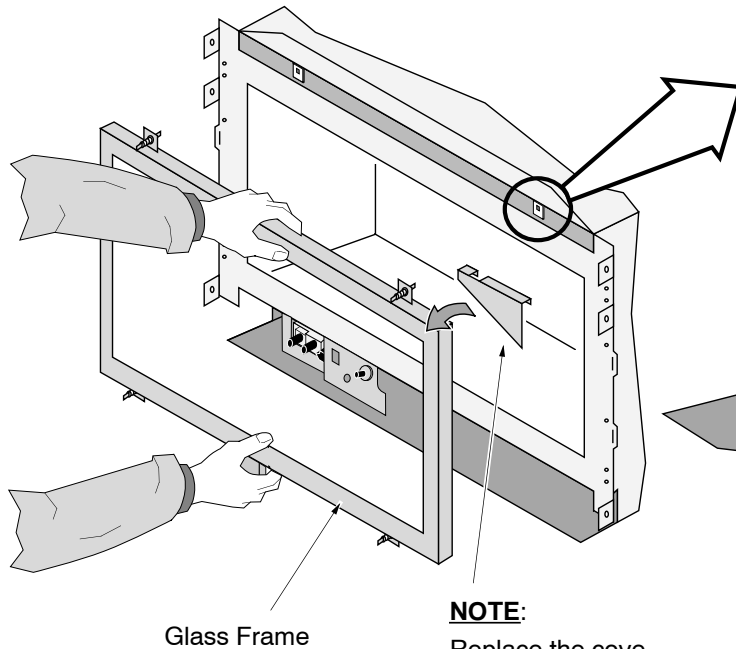


### Glass Frame Removal and Installation

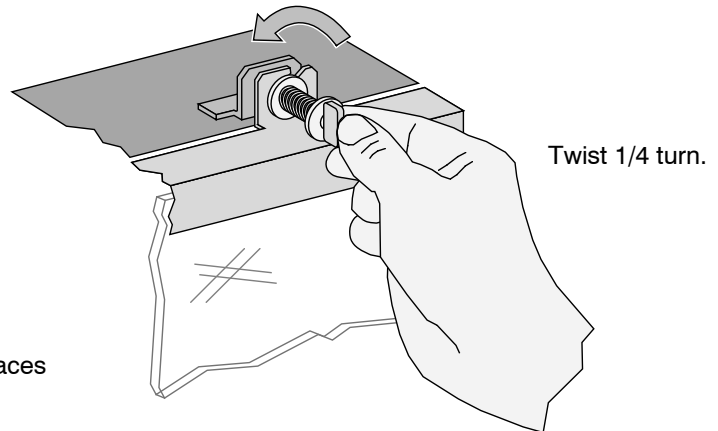
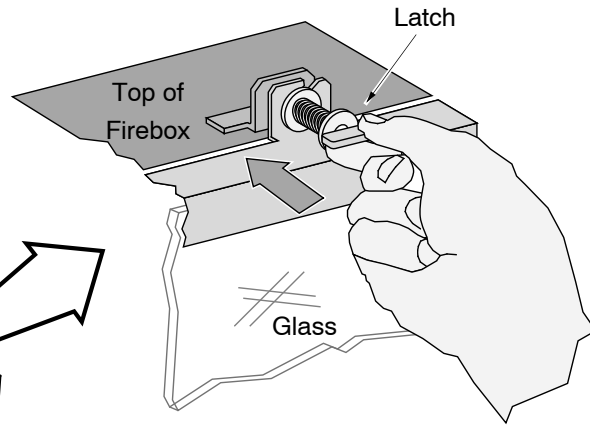
**Warning:** The appliance must be completely cool before removing the glass.

**Warning:** Do not strike or slam the glass.

- a** Open the four latches holding the glass frame in place (start with the two below the glass) - follow the directions shown to the right.



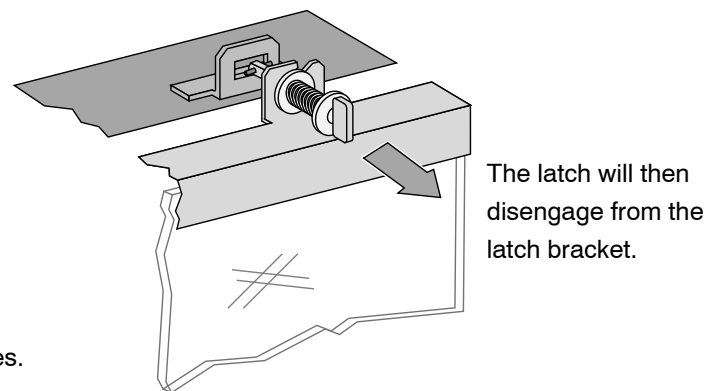
**NOTE:**  
Replace the cove covers for those faces using them.



- b** Lift the glass frame up and pull it forward to remove. **NOTE:** You may need to lift the glass frame while re-attaching.

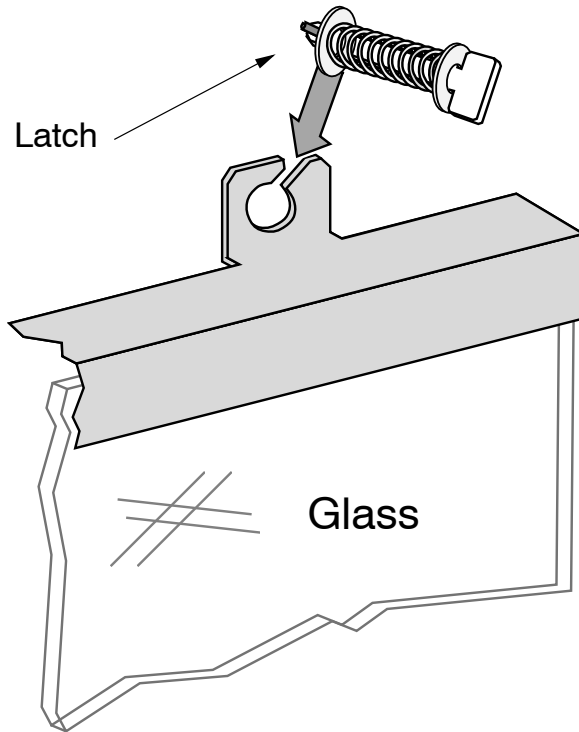
#### Re-Attaching the Glass Frame:

- Hang the glass frame on the firebox.
- While holding in place, attach the upper latches (follow the instructions to the right in reverse).
- Lift the glass frame slightly and attach the lower latches.

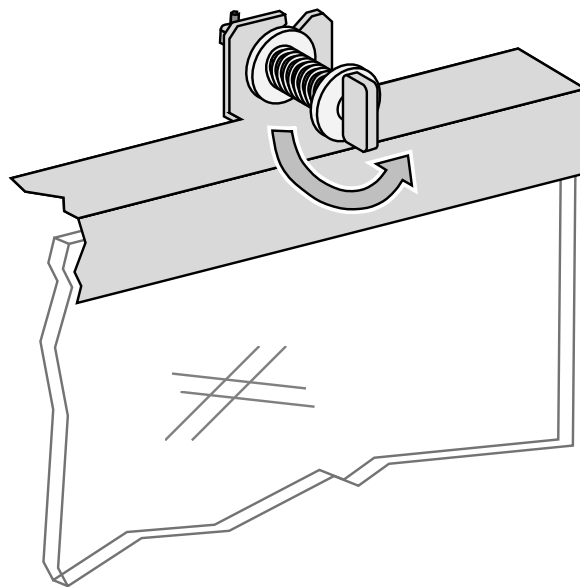


***Glass Frame Removal and Installation (continued)***

The glass latch can come loose from the glass frame. This occurs when the latch is turned 1/8 turn when disengaged from the unit. Follow the directions below to re-install the latch if it comes loose.



Hold the latch at an angle and insert it into the slot on the glass frame. Note how the washer fits in front of the flange on the glass frame. You will need to push slightly to get the latch to insert.



Once fully inserted, turn the latch until it is level.

### Log Set Installation

- ! **The logs are fragile, especially after being exposed to heat.**
- Make sure the gas control valve is "OFF" and the heater is cool prior to conducting service.
- Failure to position the parts in accordance with these diagrams or failure to use only parts specifically approved with this appliance may result in property damage or personal injury.
- If using propane (LP), convert the appliance before installing the logs (see page 42).
- The burner must be correctly positioned before installing the logs. Make sure the burner is fully seated and the pilot is properly aligned. See page 42 for details on burner removal.

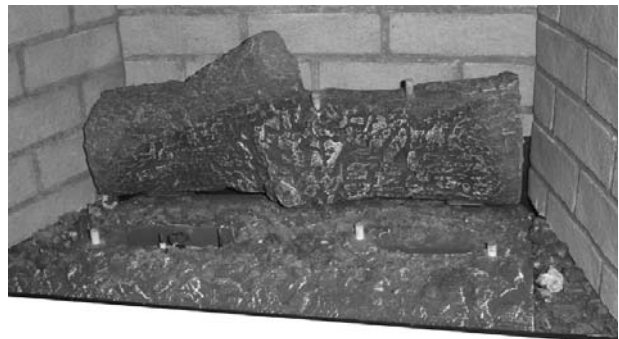
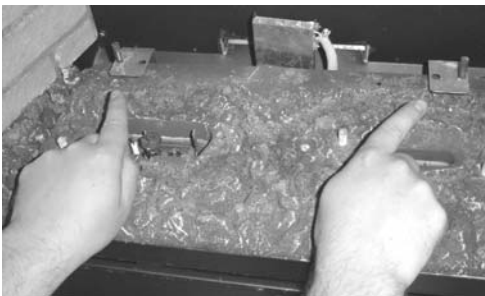
### Ember Placement

Place a layer of embers along any visible edges of the burner.



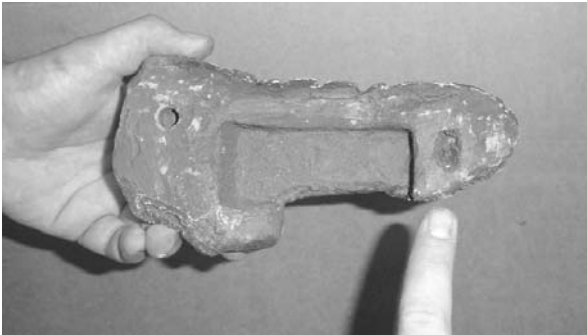
### Rear Log Placement

The rear log has two holes on the bottom. Place the log so the pins on the burner insert into the holes on the log (see photos below).



## Left Log Placement

The left log has two holes on the bottom. Place the log so the pin on the burner and the metal bracket next to the pilot insert into the holes on the log (see photos below).



## Right Log Placement

The right log has two holes on the bottom. Place the log so the pin on the burner and the metal bracket next to the pilot insert into the holes on the log (see photos below).



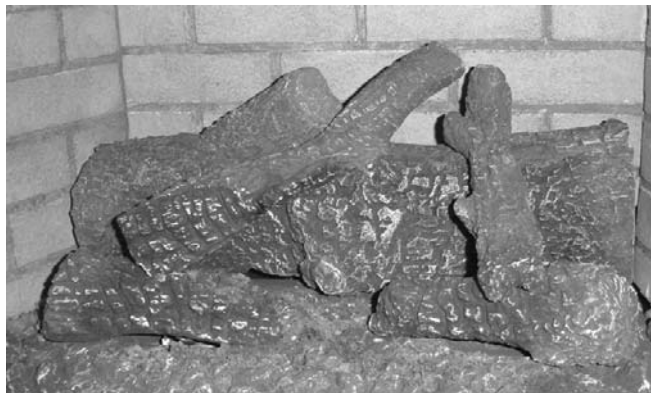
### Right Twig Placement

The right twig has a single hole in the bottom that fits over the right pin on the back log (see photos below). The lower side of the twig rests on the right log. Place the twig as shown below.



### Left Twig Placement

The left twig has two holes in the bottom of it – **for this model, place the log so the left pin on the rear log inserts into the lower hole** (see photo below). The bottom of the log rests on the left log. Place the log as shown below.



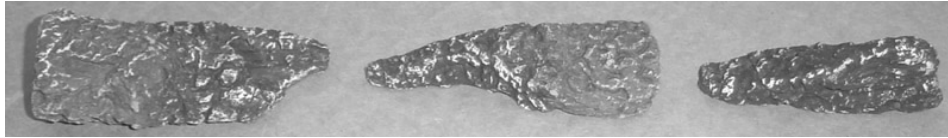
## Front Ember Chunk Placement

This log set includes a left, center, and right-side ember chunk (see photo below).

Left Ember Chunk

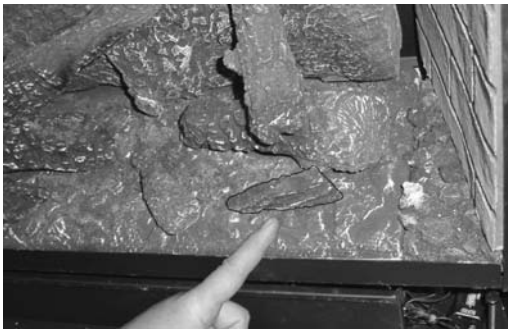
Center Ember Chunk

Right Ember Chunk



Place the ember chunks as shown in the photos below. Make sure the ember chunks do not cover any burner holes.

Right Side Ember Chunk



Center Ember Chunk

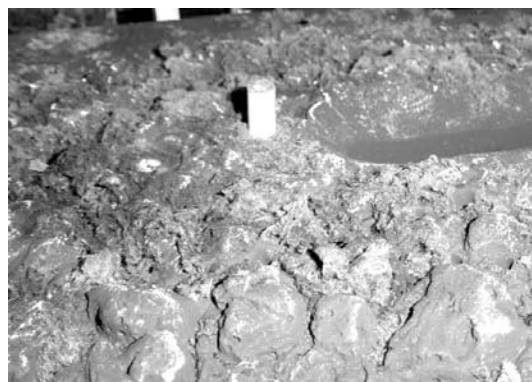


Left Side Ember Chunk



## Rockwool Installation

The included rock wool is placed on top of the burner to enhance the glow from the burner. **The rock wool works best when it is applied in a very thin, porous layer.** The best method for applying the rock wool is to brush it on to the burner. Compress a clump of rockwool between your thumb and forefinger. Use a stiff brush to apply a thin layer of rockwool fibers onto the burner. Do not use the entire bag of rockwool. Use only a small amount and save the remainder. Over-use of rockwool will diminish the glow and may cause sooting or other adverse conditions.



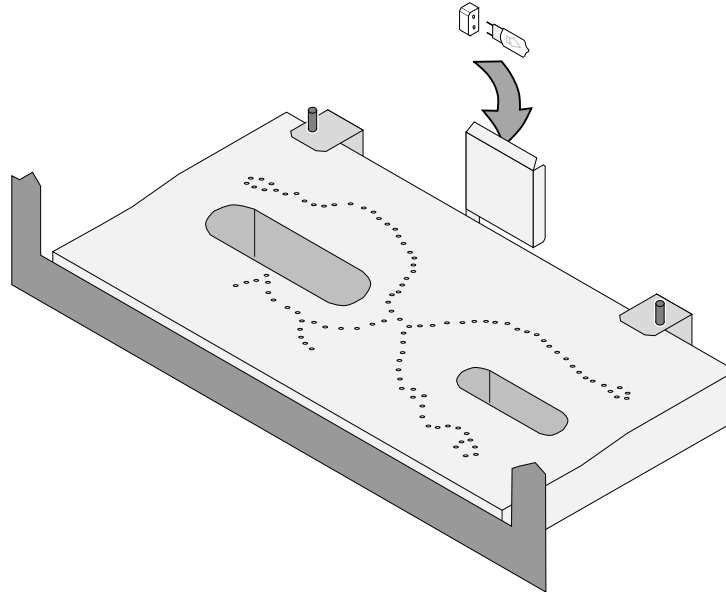
### Steps for Finalizing the Installation

1. Remove the glass (see page 20).

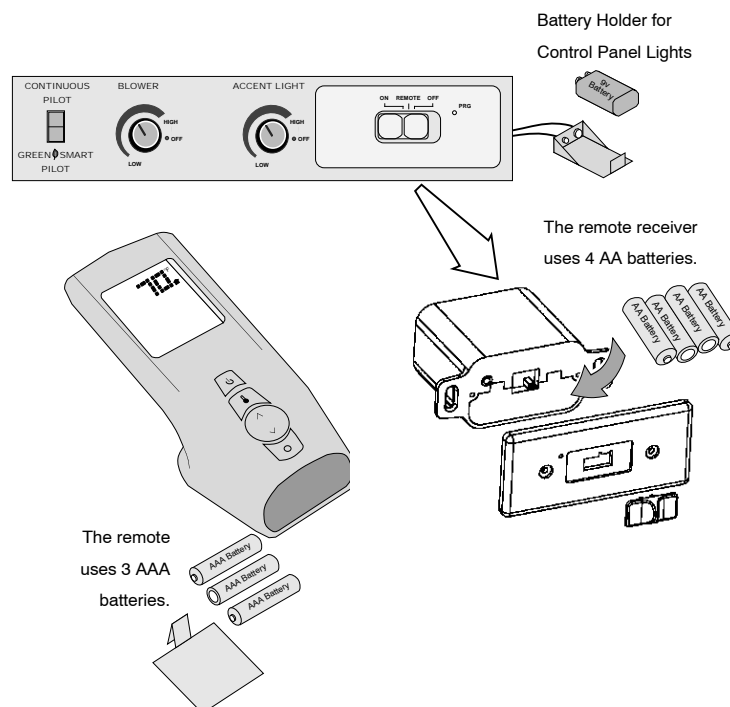
**NOTE:** If using propane (LP) convert the appliance prior to installing the logs.

2. We recommend you purge the gas line at this time (with the glass removed). This allows gas to be detected once it enters the firebox, ensuring gas does not build up.
3. Make sure the accent light bulb is in place.

**NOTE:** Take care to not touch the bulb with your fingers – use a cloth or paper towel).



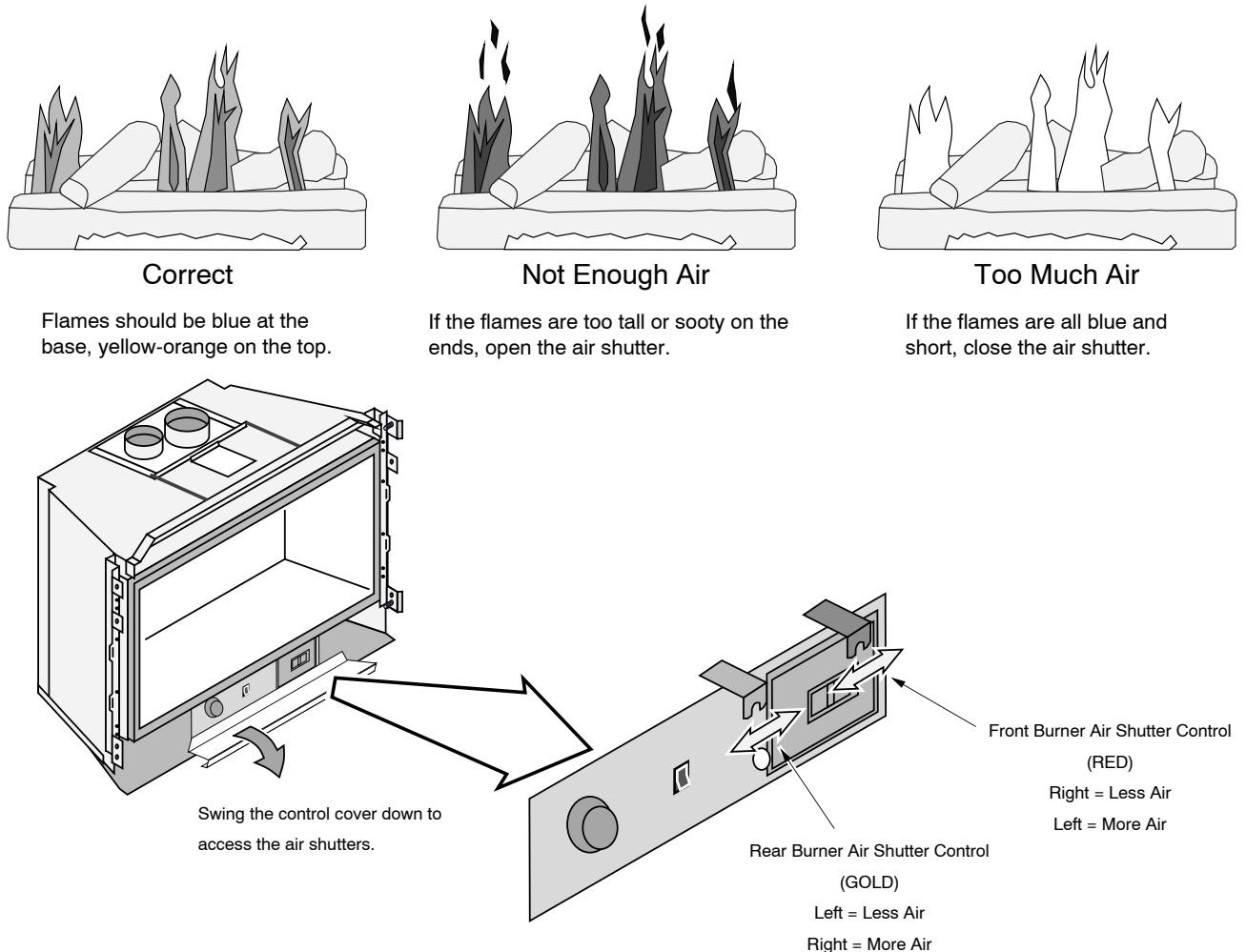
4. Install the four AA batteries and receiver cover (included in the owner's pack - see illustration below). The AA batteries act as a power backup in case the household (AC) power goes out and are required for operation. Install the 9v battery (included in the owner's pack) into the battery holder (see illustration below). This battery is for the control panel lights. Install three AAA batteries into the remote (see illustration below). Synchronize the transmitter to the receiver (see page 28).



5. Install the logs (see page 22).
6. Replace the glass.
7. Start the heater.
8. Leak test all gas joints.
9. Check the air shutter following the directions below.

## Air Shutter Adjustment

Let the heater burn for fifteen minutes (make sure the logs and glass are in place). The flames should be yellow with no sooting. Adjust the air shutter, if necessary, to achieve the correct looking flame.



10. Attach the face following the directions included with the face.

**NOTE:** If using a Rosario or Discovery face you will need to modify the face connector (see page 11 for details).

11. Adjust the flame to its highest position - the flames should not contact the top of the firebox. Check the flame on low position. The flames should burn off of each burner hole. If the heater does not work correctly, contact your Travis dealer for a remedy.
12. Give this manual to the home owner for future reference and fully explain operation of this heater.

## Before You Begin

- Read this entire manual before you use your new heater (especially the section "Safety Precautions" on pages 4 & 5). Failure to follow the instructions may result in property damage, bodily injury, or even death.

## Remote Set-Up

### Verify the Insert is plugged in

The insert should be plugged in before synchronizing the remote.

### Synchronize the Transmitter to the Receiver

The transmitter will need to be synchronized to the receiver before the remote will work correctly. Synchronizing is done in the following two steps below (see Figure 1):

- a) Press the PRG (Program) button on the receiver using a paperclip or equivalent device (receiver will beep 3 times).
- b) Press the "ON" button on the transmitter (receiver will beep 4 times).

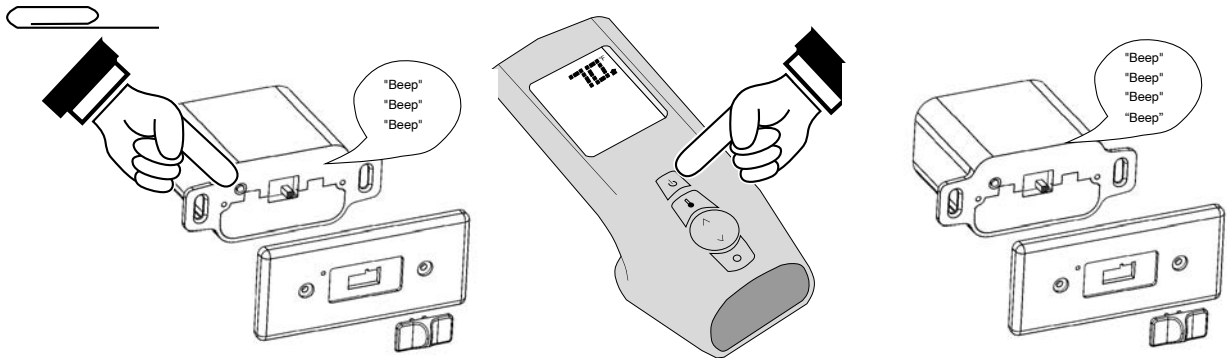


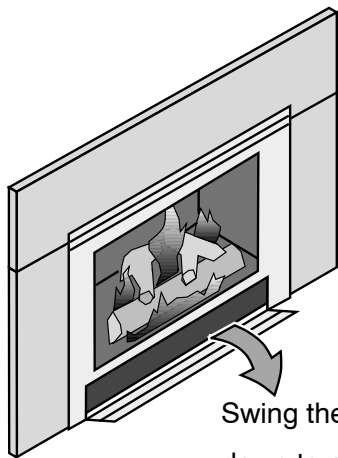
Figure 1

NOTE: If power is cut off to the receiver for an extended period of time, you may need to re-synchronize the remote.

## Starting the Heater for the First Time

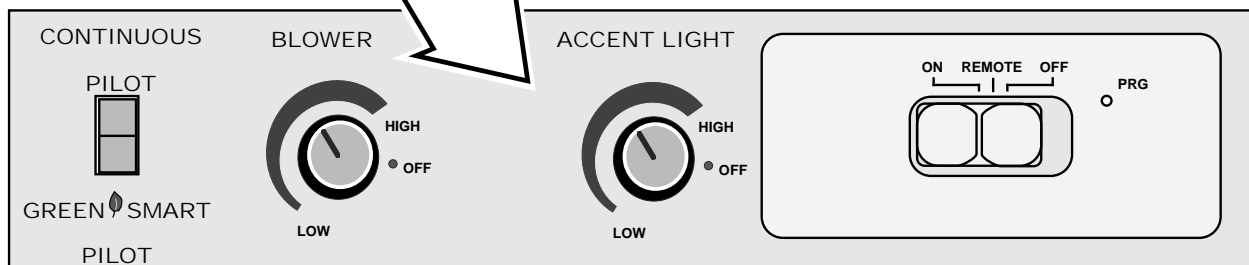
- Burn the heater at a high setting with the blower off for an extended period (up to 48 hours). This will cure the painted surfaces. **Fumes** from the paint curing and oil burning off the steel will occur. This is normal. We recommend opening a window to vent the room.
- **Condensation** may appear on the glass each time you start the heater - this is normal.
- **Blue Flames** will occur on the heater when it first comes on. After fifteen minutes the flames will turn a more realistic yellow and orange color.
- Verify the power backup and control light batteries are installed (see page 37).

## Location of Controls



An instruction card for operating the appliance is attached to the inside. Replace it for easy reference.

Swing the access door and control cover down to access the controls on the insert.



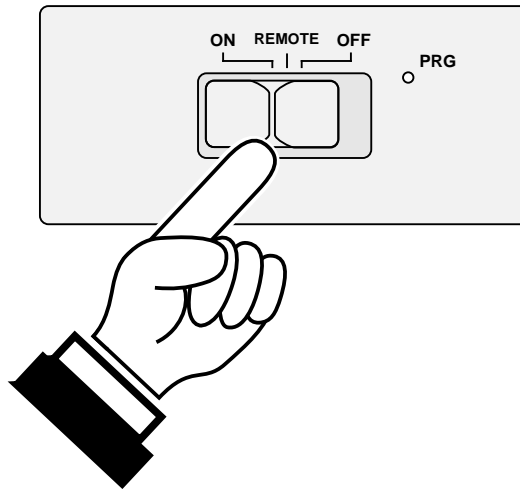
### ***Direct Operation***

The fireplace may be directly operated from the receiver. The three positions are below (see Figure 2):

**ON** – Burner turns on (regardless of transmitter settings).

**OFF** – Burner turns off (regardless of transmitter settings).

**REMOTE** – Burner is controlled by the transmitter.

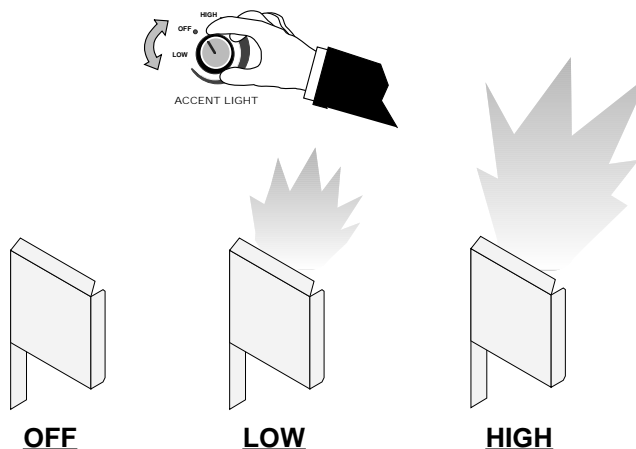


**Figure 2**

**NOTE:** When the receiver switch is turned to ON or OFF, the mode settings (Flame Height, Comfort Control) will remain in the same state as before the switch was moved (i.e.: the receiver “remembers” the last setting). If you wish to adjust the mode settings use the transmitter mode button to adjust the settings (see “Mode Controls” on page 34). The thermostat and burner on/off operating functions will not work on the transmitter.

## Accent Light

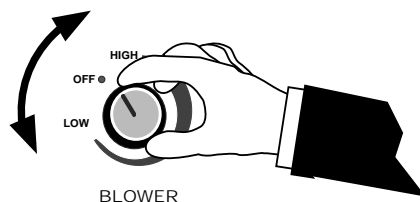
This heater has a built-in accent light that may be turned on and off and dimmed to your preference. Turn the knob to achieve the desired light output.



## Adjusting the Blower Speed

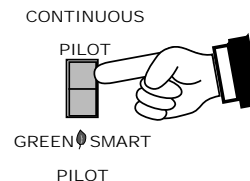
The blower helps transfer heat from the heater into the room. It will not turn on until the heater is up to temperature (approximately 15 minutes after starting). See the illustration below for instructions on adjusting the blower speed.

**NOTE:** With the rear burner off (comfort control), the heater may not become hot enough for the blower to turn on.



## Continuous Pilot / GreenSmart™ Pilot Switch

This heater may run with the pilot continuously running or in GreenSmart (intermittent) mode. For most homeowners, the GreenSmart mode is preferred (this saves fuel, doesn't give off un-needed heat). However, in some situations the homeowner may prefer to switch the heater to continuous pilot. The most typical reasons for switching to continuous pilot are:



- Very Cold Conditions – in very cold conditions you may notice that the burner does not light quickly, and the flames lift off the burner. If this is situation, we recommend you switch to continuous pilot. This will create a slight draft in the vent, allowing for the burner to light quickly and draft correctly.
- Excessive Condensation on Glass After Startup – certain installations may encounter excessive fogging on the window after stuartup (not just the first time the heater was started). This is an aesthetic condition that may be remedied by switching the heater to continuous pilot.
- Cold Glass or Heater Front – in very cold conditions you may notice that the heater front and glass become very cold. To remedy this, switch the heater to continuous pilot.
- Frequent On / Off Operation – if you are frequently turning the heater on and off, you may wish to leave it in continuous pilot. This allows the burner to turn on more quickly, without pilot ignition delay.

## Remote Operation

Once the receiver is switched to “REMOTE” the transmitter operates the fireplace. Once you understand how the transmitter works, you will be able to operate your fireplace quickly and easily.

### Changing the Display to Celcius (C)

With the remote off, press the thermostat and mode button simultaneously. This will toggle between Fahrenheit and Celcius.

### Display Overview

The transmitter display has four main sections (see Figure 3).

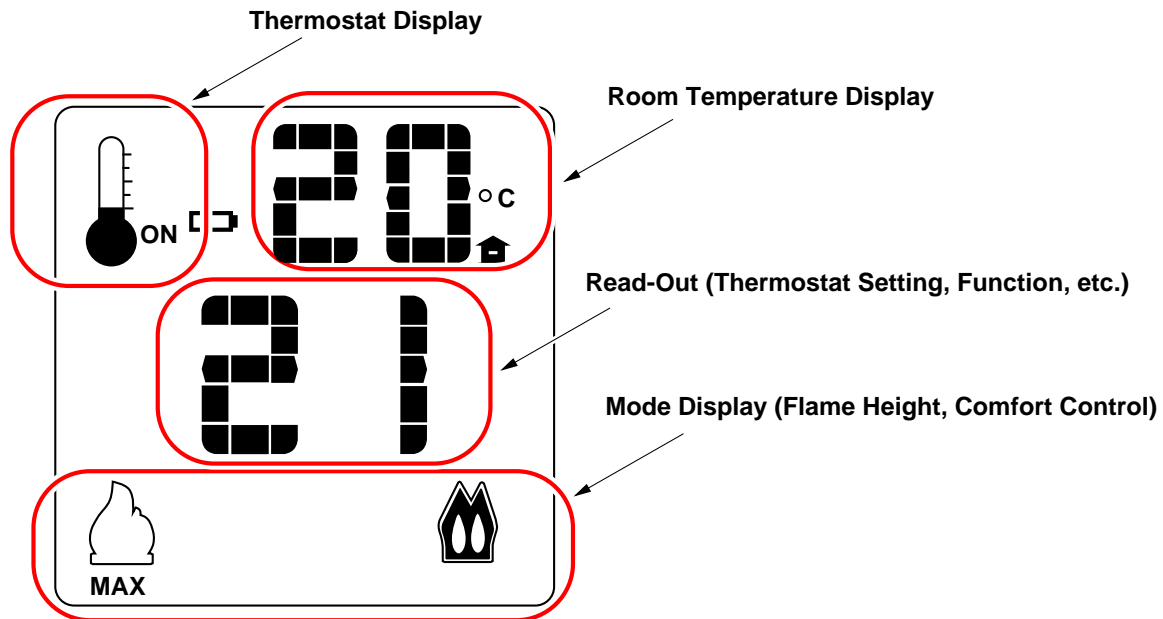


Figure 3

### Listen for the “Beep”

Each time you press a button on the transmitter that controls the fireplace, a “beep” will come from the fireplace. When you change thermostat target settings the fireplace will not beep.

**NOTE:** When the receiver batteries start to get low, the receiver will beep intermittently. When the batteries are nearly depleted, the receiver will no longer beep. See “Receiver Batteries” on page 35).

**Manual On-Off / Smart Thermostat / Standard Thermostat**

Use the thermostat button to cycle through the three thermostat settings (see Figure 4).

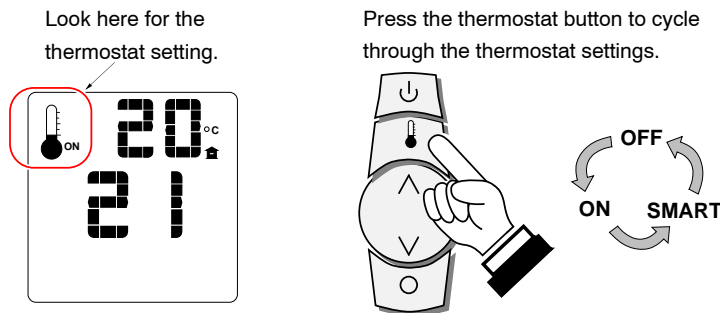


Figure 4

- **MANUAL ON/OFF** – The burner will turn on and off using the remote (see Figure 5). Press the On/Off button to control the burner. When off, the display will only show the current temperature.

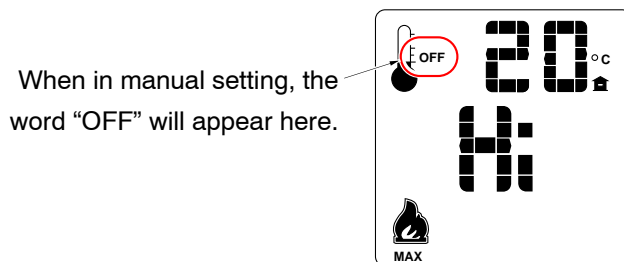


Figure 5

- **SMART THERMOSTAT** – While in smart thermostat, the transmitter will control the burner to achieve the target temperature (see Figure 6 below). Flame height will be adjusted up or down to allow operation without turning the burner on and off (also called “smart modulation”). To adjust the target temperature, press the up and down buttons until a suitable temperature is achieved.

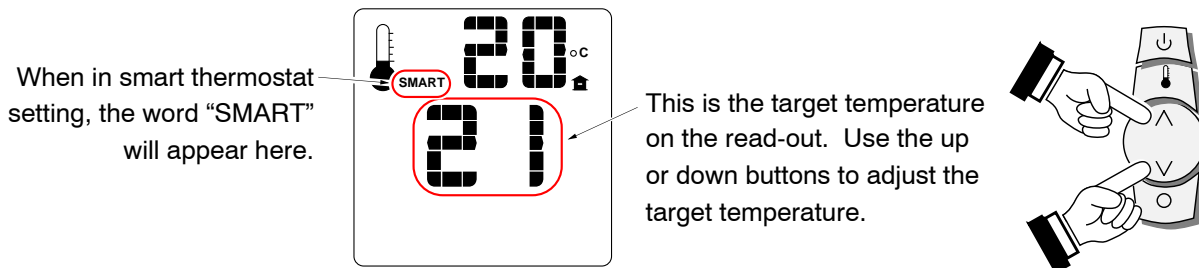


Figure 6

- **STANDARD THERMOSTAT** - While in standard thermostat setting, the transmitter will turn the burner on and off to achieve the target temperature (see Figure 7 below). To adjust the target temperature, press the up and down buttons until a suitable temperature is achieved.

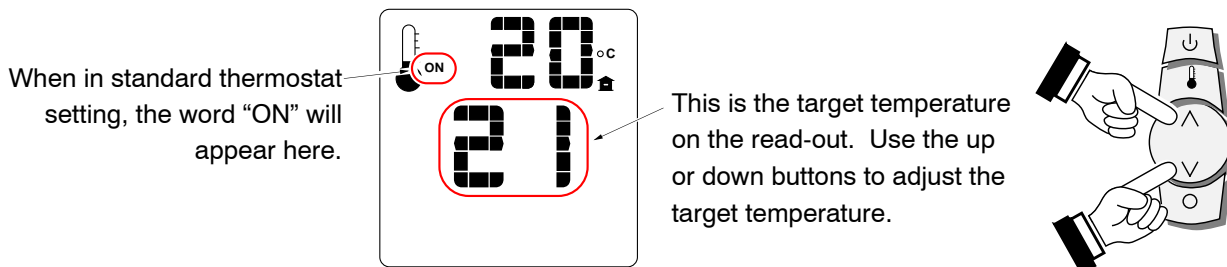


Figure 7

NOTE: if the transmitter batteries go dead while in thermostat setting (standard or smart), the appliance will shut off after approximately 24 hours.

**Mode Controls (Flame, Comfort Control)**

Use the mode button to cycle through the two mode controls (see Figure 8 below).

Press the mode button to cycle through the mode settings.

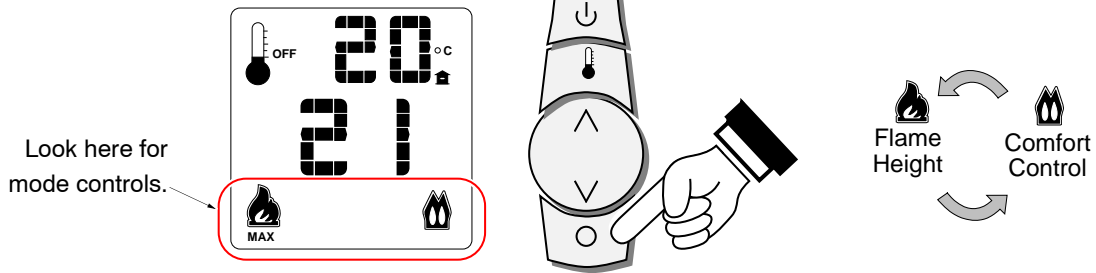


Figure 8

**Flame Height**

Flame height may be controlled using the up and down buttons when in Flame Height Mode (see Figure 9 below). The center display will display the 7 settings, from “OFF” to “HI” for full on.

NOTE: Flame height may not be adjusted if operating in Smart Thermostat setting.

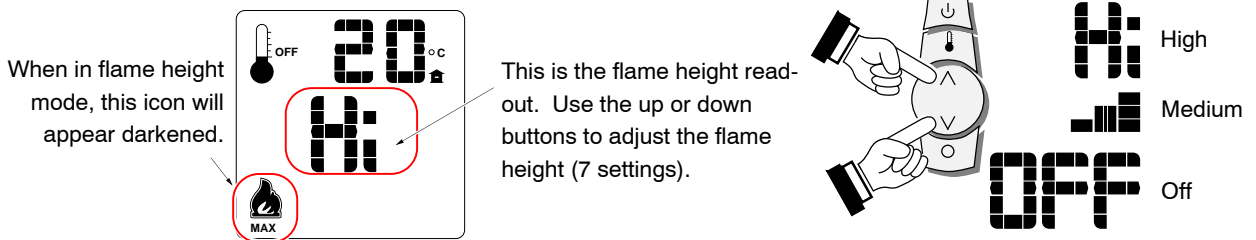


Figure 9

**Comfort Control (rear burner)**

The comfort control (rear burner) may be turned on and off using the up and down buttons when in Comfort Control Mode (see Figure 10). The center display will display either “ON” or “OFF”.

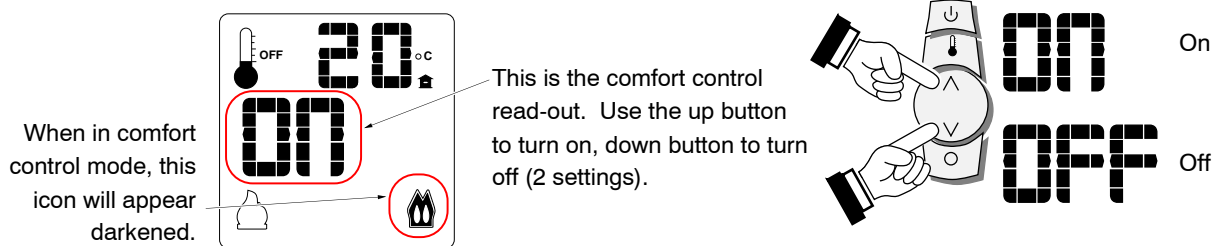


Figure 10

## Low Battery Indicator

### Transmitter Batteries

The transmitter has a battery-level indicator. When it indicates low battery voltage (see Figure 11 below), install three new AAA alkaline batteries into the transmitter (see “Transmitter Battery Installation” on page 37).

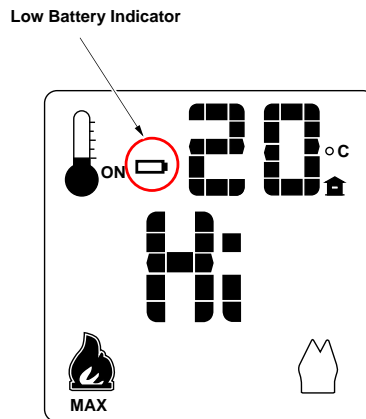


Figure 11

### Receiver Batteries

The receiver will “beep” periodically when the receiver batteries go low. Install four new AA alkaline batteries into the receiver when this occurs (see “Receiver Battery Installation” on page 37). In applications where the appliance is required to provide heat, we recommend replacing the batteries before each heating season.

## Child Proof Feature

The child proof feature disables the control buttons, preventing un-wanted use of the remote.

- Press both the MODE and UP buttons simultaneously to turn this feature on and off (see Figure 12 below).

**HINT:** This feature is especially useful while using the thermostat setting.

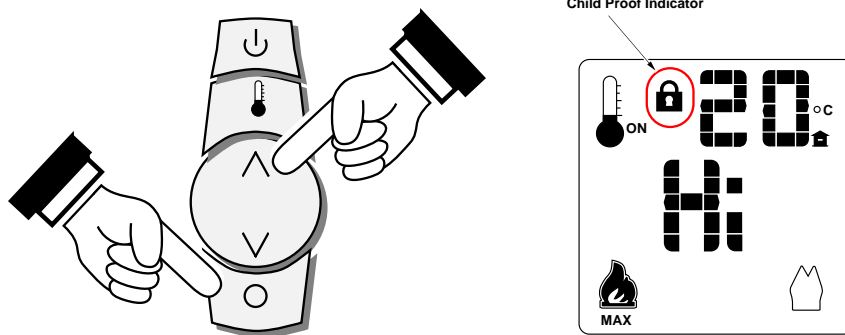


Figure 12

## Power Outages

The remote will work if household current (AC power) is disconnected. The batteries inside the receiver will continue to power the heater but the accent light and blower will not operate.

## Normal Operating Sounds

### Extinction Pops

It is not unusual, especially on Propane (LP) appliances, to experience a "pop" when the burner is shut off.

### Pilot Assembly

The pilot flame will make a clicking sound when starting up. If left on, it will make a slight whisper sound.

### Gas Control Valve

As the gas control valve is turned on and off you will hear a dull clicking sound. This is the valve opening up and shutting down.

### GreenSmart Receiver

The optional GreenSmart receiver will beep when receiving commands from the GreenSmart remote.

### Fan Controller

This device makes a light humm that is audible in close proximity.

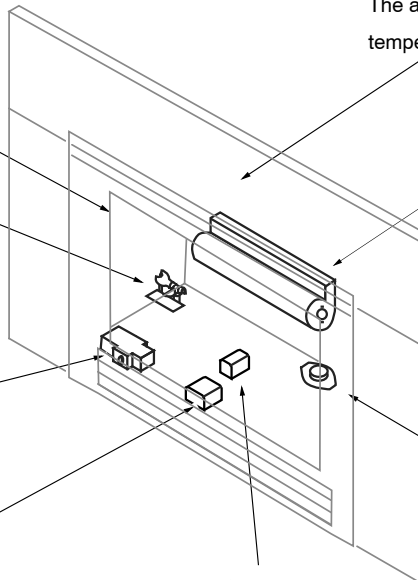
The appliance may creak with change of temperature -- THIS IS NORMAL.

### Blower

This heater has an optional blower to push heated air into the room. You will hear the sound of air movement that increases as the speed is increased.

### Blower Snap Disk

This part can produce a clicking sound as it turns the blower on and off.



## Normal Operating Odors

This appliance has several areas that reach high temperatures. Dust or other particles on these areas may burn and create an odor. This is normal during start-up. You may notice the smell is more acute if the appliance was left idle for a long period.

## Maintaining Your Heater's Appearance

Fingerprints or other marks left on the optional plated surface may become etched in place if they are not wiped clean prior to turning the heater on. Clean the plated surfaces with denatured alcohol and a soft cloth (with the heater cool). Other cleaners may leave a film that may become etched into the surface.

## Battery Replacement

### Receiver Battery Installation

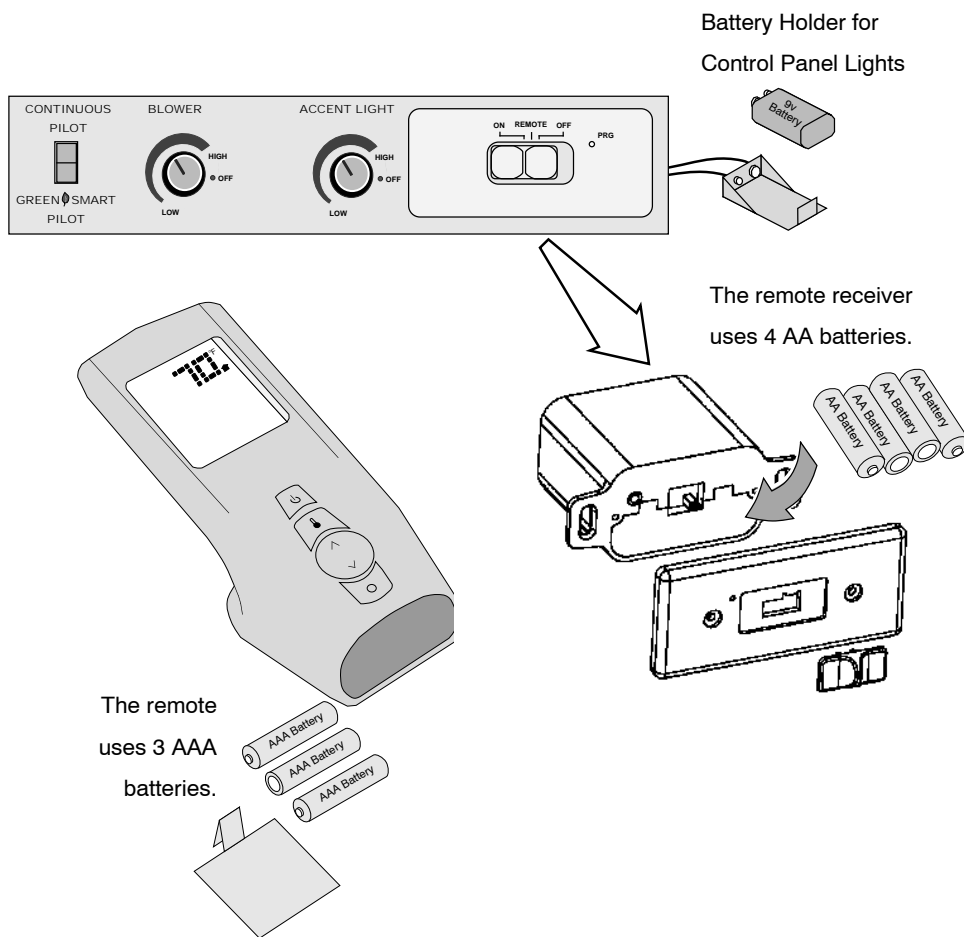
Install four AA batteries into the receiver (see illustration below). You can use the batteries from the battery backup tray on the appliance. See the installation instructions for details. These batteries control the comfort control and act as a power-backup in case the household (AC) current goes out.

### Control Panel Light Battery

LED lights and a 9v battery are used to illuminate the control panel when the concealment cover is lifted. If the LED lights do not operate, replace the 9v battery (see the illustration below). The battery holder is held in place with Velcro and may be removed for easier access.

### Transmitter Battery Installation

Install the three included AAA batteries into the remote (see illustration below).

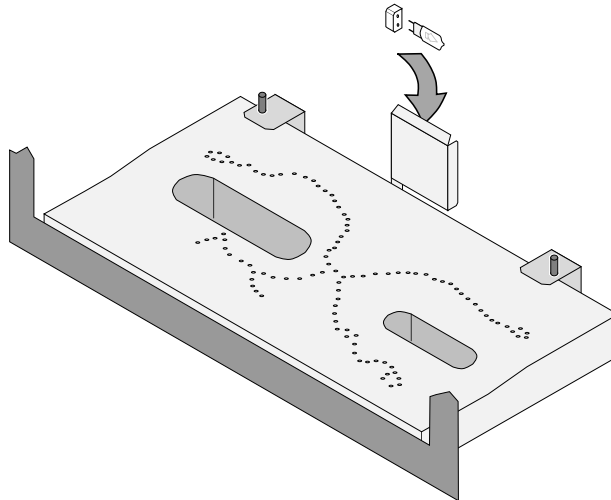


## Accent Light Replacement

An accent light is included in your heater to provide additional lighting. This bulb will burn out over time. To replace, follow the directions below:

- Shut off gas to the heater and let it cool for 15 minutes.
- Remove the glass (see page 20) and logs (see page 22).
- Replace the halogen bulb with the following bulb:  
(**NOTE:** Take care to not touch the bulb with your fingers – use foam packing or paper towel to hold the bulb):

35 Watt 240 Volt T4 Halogen Bulb (G6.35 Base)



## Yearly Service Procedure

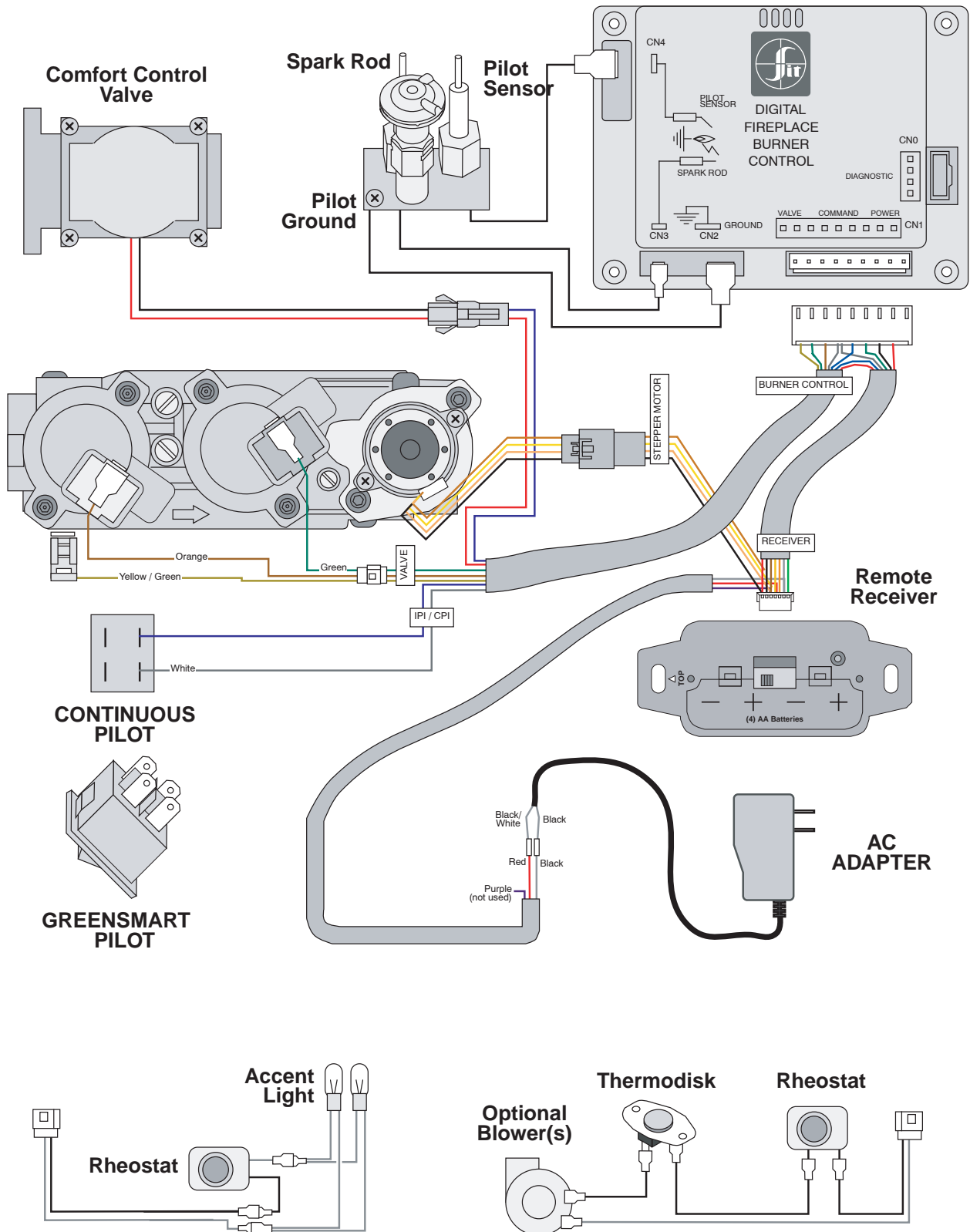
- Failure to inspect and maintain the heater may lead to improper combustion and a potentially dangerous situation. We recommend the following procedures be done by a qualified technician.
1. Turn the pilot flame to continuous. It should touch approximately 3/8" (10mm) of the top of the flame sensor. If it does not, contact your dealer for service.
  2. Shut off gas to the heater and let it cool for 15 minutes. Remove the glass (see page 20).
  3. Remove the log set (**NOTE: the logs are very fragile** - see page 22). If severely deteriorated, replace. Check the logs for sooting. A small amount of soot along the bottom of the logs is normal. If excessive sooting is found, the heater will require adjustment. Contact your dealer.
  4. Inspect the burner and remove any debris.
    - Make sure the burner is not warped, cracked, or damaged.
    - Check the firebox and area around the pilot to make sure there is no warping or damage.
    - If any problem is found, discontinue use and contact your dealer for service.
  5. Replace the log set. Clean and replace the glass. If the glass is damaged, replace. Make sure the gasket along the perimeter of the glass contacts the face of the firebox and forms an air-tight seal. If it does not, re-align or replace the gasket to insure an air-tight seal.
  6. Inspect the area behind the access door. Clean if necessary. Check the gas control valve and the gas lines. If damage is found, discontinue use and contact your dealer for service. Clean the air channels, ducts, and blower (if applicable).
  7. Start the main burner. After 15 minutes the flames should be orange/yellow and not touch the top of the firebox. If the pilot or main burners do not burn correctly, contact your dealer for service. Monitor blower operation.
  8. Remove any debris or vegetation near the vent termination. Contact your dealer if any sooting or deterioration is found near the vent termination.

**Troubleshooting Table**

<b>Problem:</b>	<b>Possible Cause:</b>	<b>Don't Call for Service Until You:</b>
<b>Main Burners Will Not Start</b>	The receiver is turned to "OFF"..... The remote control is not working correctly..... No Propane in Tank.....	Turn the receiver switch to "ON" See the remote control instructions Check Tank Level
<b>Receiver Beeps</b>	The power backup batteries are dead.....	Replace the batteries (see page 37)
<b>Thermostat Does Not Work</b>	The receiver is turned to "OFF"..... The thermostat is set too low.....	Turn the receiver switch to "ON" Check thermostat
<b>Heater Will Not Distribute Heat</b>	The heater is not getting electricity..... The heater is not up to temperature.....	Check the breaker switch Let the heater burn for at least 15 minutes
<b>Flames Are Too Blue</b>	The heater has just been started..... Improper air shutter adjustment.....	This is normal - see "Starting the Heater for the First Time" Adjust Air Shutter - contact your dealer
<b>Flames Are Too Short (Under 6")</b>	The flame height may be turned too low.....	Turn the flame height to "HI" - See "Adjusting the Flame Height"
<b>Thin Layer of Soot Covers the Glass</b>	The logs or coals are placed incorrectly..... Improper air shutter adjustment.....	See "Log Set Installation" Adjust Air Shutter - contact your dealer

Wiring Diagram

**Caution:** Label all wires prior to disconnection when servicing controls. Wiring errors can cause improper and dangerous operation.



## ***Replacement Parts List***

---

Caution: Use only Travis Industries replacement parts. Do not use substitute materials.

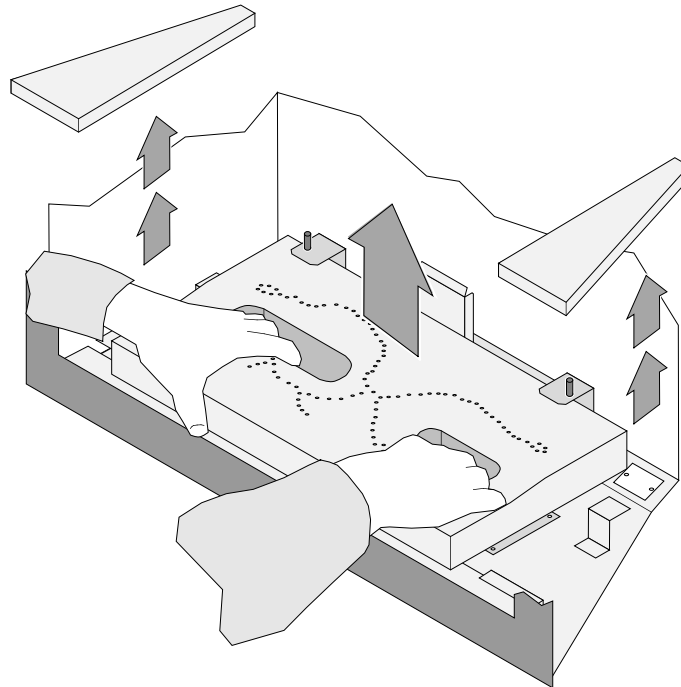
Warning: Do not operate appliance with the glass front removed, cracked, or broken. Replacement of the glass should be done by a licensed or qualified service person.

Contact your local Travis Industries Dealer for a Replacement Parts List

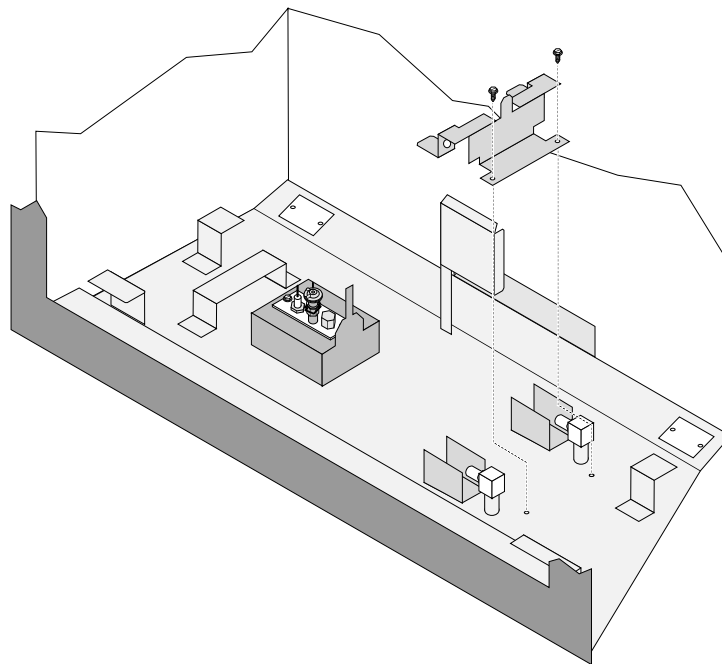
### ***LP Conversion Instructions***

**Convert the appliance prior to installing the gas line to ensure proper gas use.**

- 1 Remove the glass (see page 20). Remove the logs and embers (if installed - page 22)
- 2 Remove the ember trays and burner (see below). Grasp the burner with both hands and lift it straight up and out of the firebox.



- 3 Remove the manifold cover to access the burner orifices (see below).



- 4 Follow the directions below to replace the orifices (NOTE: Orifice sizes are listed in DMS).

**1/2" Wrench**

**Rear Burner Orifice**

**Front Burner Orifice**

**(a)** Use a 1/2" open end wrench to unscrew the two orifices.

**(b)** Apply thread sealant to the LP orifices prior to installation. Use the chart below to identify the correct orifices.

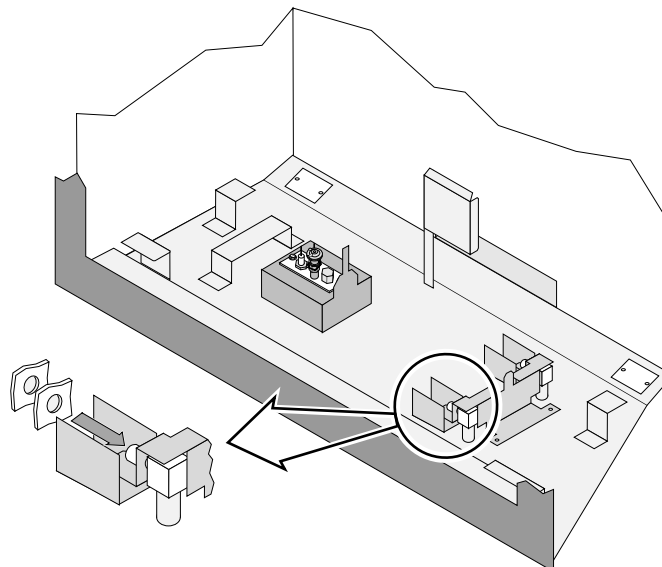
**(c)** Screw each LP orifice in so the orifice protrudes 15/16" (24mm) (indicating full insertion).

Look here for the orifice identification

	NG	LP
Front	#50	#56
Rear	#47	#56

15/16"  
24mm

- 5 Replace the manifold cover. Place two orifice gaskets (included with appliance) on the front orifice (see illustration below).



- 6 Remove the pilot orifice following the instructions below (NOTE: Orifice sizes are shown in DMS). Replace with the propane pilot orifice.

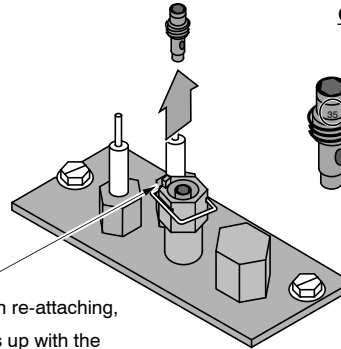
- a Lift the pilot hood off the pilot assembly.



- b Use a hex wrench to unscrew the orifice.



- c Remove the orifice and replace with the LP orifice. Screw the orifice all the way in and replace the pilot hood.



**Orifice Identification:**

LP (Propane) Orifice

35

NG (Natural Gas) Orifice

62

**NOTE:** when re-attaching, this pin lines up with the notch in the pilot hood.

- 7 **Replace the firebox components.** Install the logs and embers. Replace the glass.

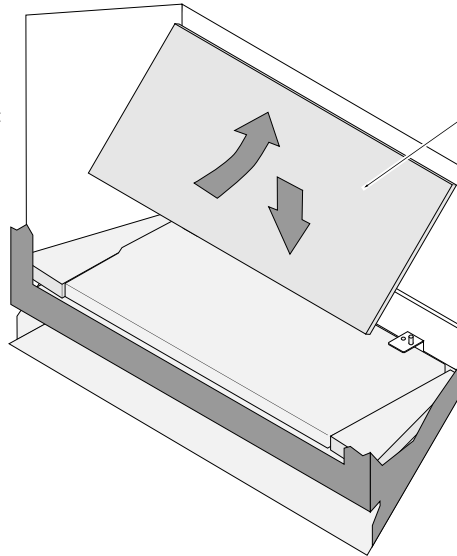
- 8 Carefully remove the control cover to access the stepper motor (see the illustrations below). The stepper motor (adjustable regulator) has an installation sheet included with it – make sure to follow all of the directions. Disconnect the wiring from the stepper motor. Remove the stock stepper motor and replace with the LP version. – **MAKE SURE IT IS CORRECTLY ORIENTED.** Secure using the screws included with the motor – tighten to 25 Lb-inches. Leak test this area after installation to verify proper installation. Re-attach the wiring.



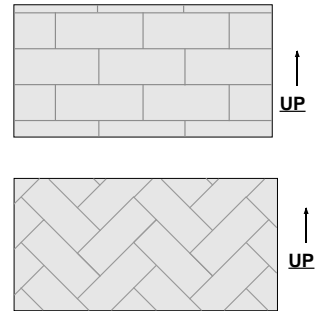
- 9 Make the gas line connection, bleed the gas line (if applicable), start the heater and thoroughly leak-test all gas connections and the gas control valve.

**Firebacks**

Slide the top of the rear fireback behind the baffle on top of the firebox and pivot it back into place. It rests on the shelf at the back of the firebox.

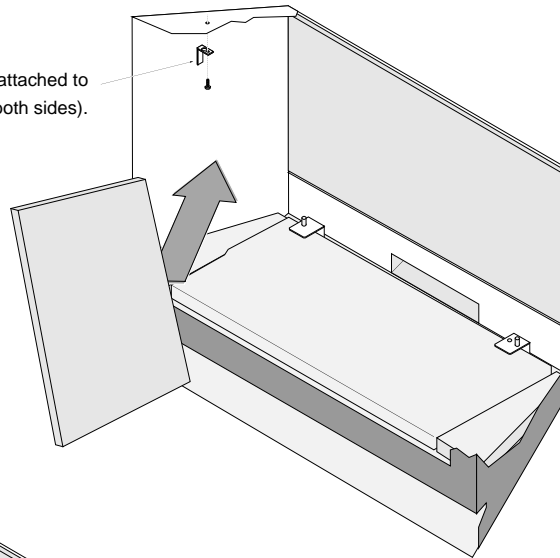


**NOTE:** The rear fireback must be installed as shown below for the brick pattern to line up with the side firebacks.

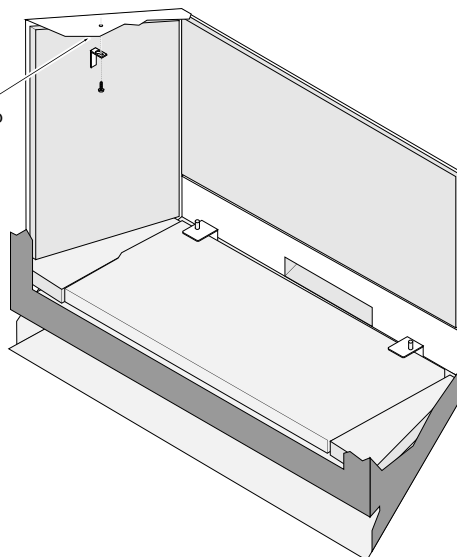


Remove this clip attached to the firebox ceiling (both sides).

Hold the side firebacks at a slight angle and place them into position (both sides).



Replace the clip to secure the side fireback (both sides).



Additional Items Required .....	7	Mantel Clearances .....	10
Air Shutter Adjustment .....	27	Normal Operating Odors .....	36
Altitude Considerations .....	14	Normal Operating Sounds .....	36
Before You Begin .....	28	Odors (see "Normal Operating Odors") .....	36
Blower Operation .....	31	On / Off Operation .....	29
Cap (Termination) Requirements .....	14	Order of Installation .....	7
Clearances .....	10	Packing List .....	7
Condensation on Glass (see "Starting Heater") .....	29	Panels .....	19
Controls .....	29	Propane Conversion (LP Conversion Instructions) .....	42
Dimensions .....	6	Replacement Parts List .....	41
Electrical Connection .....	13	Safety Precautions .....	4
Factory-Built (Metal) Wood-Burning Fireplace Requirements .....	9	Service .....	37
Features .....	6	Smells (see "Normal Operating Odors") .....	36
Firebacks .....	45	Sounds .....	36
Fireplace Requirements .....	8	Specifications .....	6
Flame Height .....	34	Starting the Heater for the First Time .....	29
Gas Inlet Pressure .....	13	Steps for Finalizing the Installation .....	26
Gas Line Location .....	13	Surround Panel Installation .....	19
Gas Line Requirements .....	13	Troubleshooting Table .....	39
Glass Frame Removal and Installation .....	20	Vent Configurations .....	16
Hearth Requirements .....	9	Vent Connector Removal and Installation .....	17
Heating Specifications .....	6	Vent Installation .....	15
Installation Options .....	6	Vent Location .....	16
Installation Warnings .....	7	Vent Requirements .....	14
Introduction .....	2	Vent Restrictor .....	15
Items Packed with the Face .....	7	Warnings .....	4
Location of Controls .....	29	Window (Glass) Removal and Installation .....	20
Log Set Installation .....	22	Wiring Diagram .....	40
LP Conversion Instructions .....	42		
Maintaining Your Heater's Appearance .....	37		