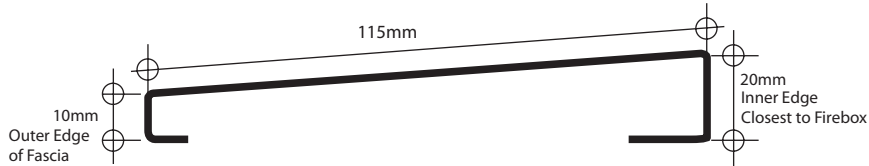




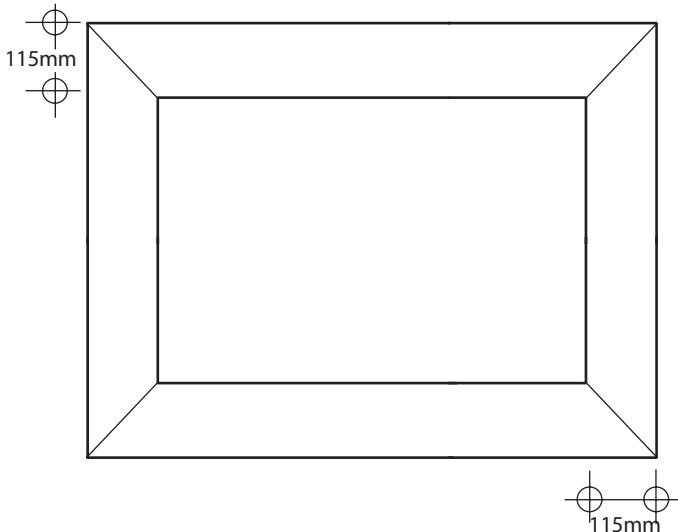
# Original 3 & 4 Sided Fascia Dimensions Available in Black or Stainless Steel

OFFICE/WAREHOUSE  
Unit 2, 16 Lexington Drive  
Bella Vista NSW 2153  
P.O. Box 8051  
Baulkham Hills BC 2153  
PHONE: (02) 8824 9122  
FAX: (02) 8824 6487

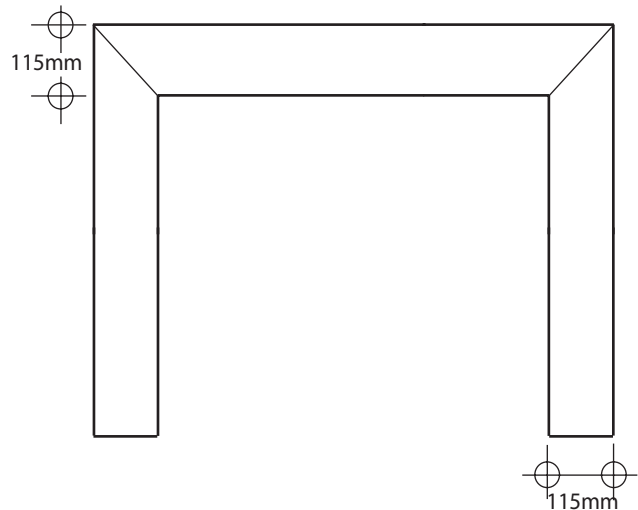
When using the Original 3 or 4 sided fascia for the Lopi 564 or Lopi 864 please use standard stud opening dimensions as listed in the installation manuals.  
For use with the standard grills supplied with product  
(The Original 3 or 4 sided Fascias do not sit on the tile line)



**4 SIDED BRUSHED S/STEEL OR BLACK**



**3 SIDED BRUSHED S/STEEL OR BLACK**



Face	Width	Height
564 3-Sided	1105mm	870mm
564 4-Sided	1105mm	985mm
864 3-Sided	1220mm	1035mm
864 4-Sided	1220mm	1150mm