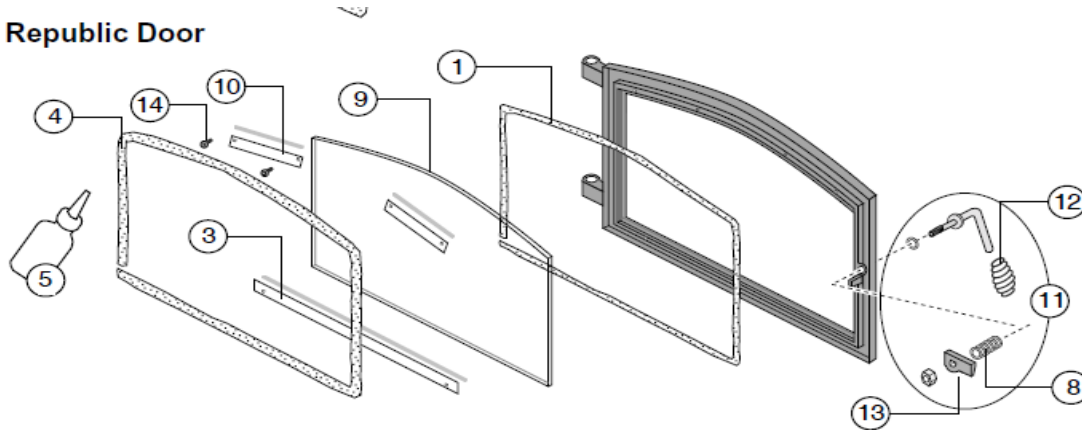


REPUBLIC 1750 INBUILT SPARE PARTS

Lopi Republic Door



Pricing shown excludes freight and installation. Pricing may vary depending on area

ID #	Description	Qty	Part #	\$	Other Detail
1	Glass Gasket	1	250-00173	\$ 17	
3	Glass Clip with Gasket - 3 Hole	2/1	250-00174	\$ 14	
4	Door Gasket	1	250-00170		Replaced by 99900406
4	Door Gasket	1	99900406	\$ 33	
5	RTV High Temp. 600deg Silicone				See your LOPI Dealer
8	Door Washer	1	250-00364	\$ 7	
9	Lopi Republic Glass	1	250-00172	\$ 136	
10	Glass Clip with Gasket - 2 Hole	1	250-00175	\$ 14	
11	Lopi Door Handle Assembly	1	250-00171	\$ 48	
12	Lopi Door Handle Spring	1	250-00373	\$ 17	
13	Door Cam	1	250-00598	\$ 27	
14	Screws (8) 8-32 x 1/2" Torx	1	225-20039	\$ 14	

Replacing the Glass



The glass must not contact the door or glass clips directly. The glass gasket and glass clip gaskets insulate the glass to prevent cracking. Do not over-tighten the glass clips.

Place the door front side down. Insert the glass gasket into the groove along the inside perimeter of the door. Place the glass on top of the gasket and secure with the glass clips.

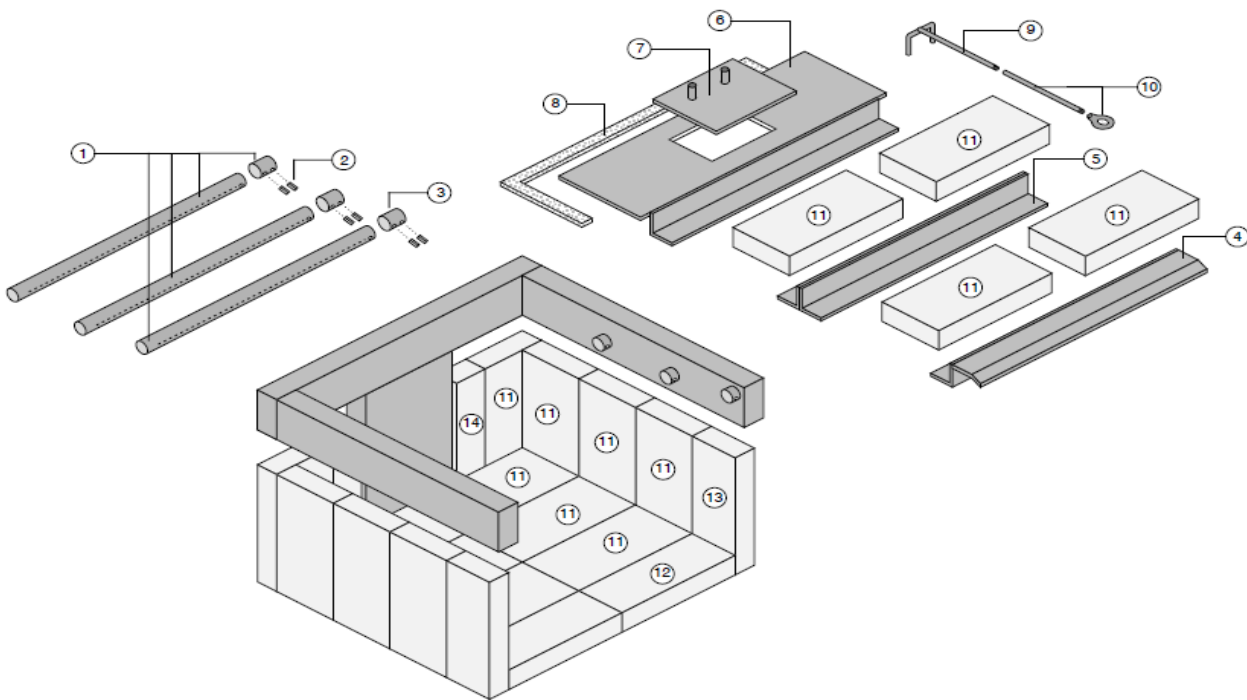
Replacing the Door Gasket

The door gasket inserts into the outer groove of the door and is secured with RTV high-temperature 600° silicone. Before installing, remove any residual silicone. Lay the gasket in place (start at the lower left corner) and cut off any excess gasket (do not stretch the gasket. The cement fully cures with heat from the stove. You may need to open and close the door repeatedly to get the gasket to seat fully.

Replacing the Door Handle

See the illustration above for a component list (see pg. 26 for details on adjusting the door).

Firebox Parts



Pricing shown excludes freight and installation. Pricing may vary depending on area

ID #	Description	Qty	Part #	\$	Other Detail
1	Air Tube & Sleeve	1	98900233	\$ 41	
2	Air Tube Roll Pins (Pack of 6)	1	98900357	\$ 17	
3	Air Tube Retainer Sleeve	1	98900356		Replaced by 250-00042
3	Air Tube Retainer Sleeve	1	250-00042	\$ 7	
4	Baffle Support, Front	1	99900251	\$ 54	
5	Baffle Support, Rear	1	99900250	\$ 54	
6	Damper Plate	1	98900322	\$ 71	
7	Damper Slider	1	98900343	\$ 44	
8	Gasket, Damper Plate	1	91001701	\$ 17	
9	Damper Yoke	1	98900376		Replaced by 98900325
9	Damper Yoke	1	98900325	\$ 27	
10	Damper Extension Rod with Pull Ring	1	98900334	\$ 27	
11	Brick - 9" x 4.5" uncut (Single)	18	175-00001		N/A - See 99900102
11	Brick - 9" x 4.5" uncut (Box of 8)	18	99900102	\$ 80	Each Box
12	Brick - 9" x 3.5" cut	2	251-00023		N/A - See 99900102
13	Brick - 9" x 3.687" cut	2	251-00022		N/A - See 99900102
14	Brick - 9" x 2" cut	2	251-00021		N/A - See 99900102

