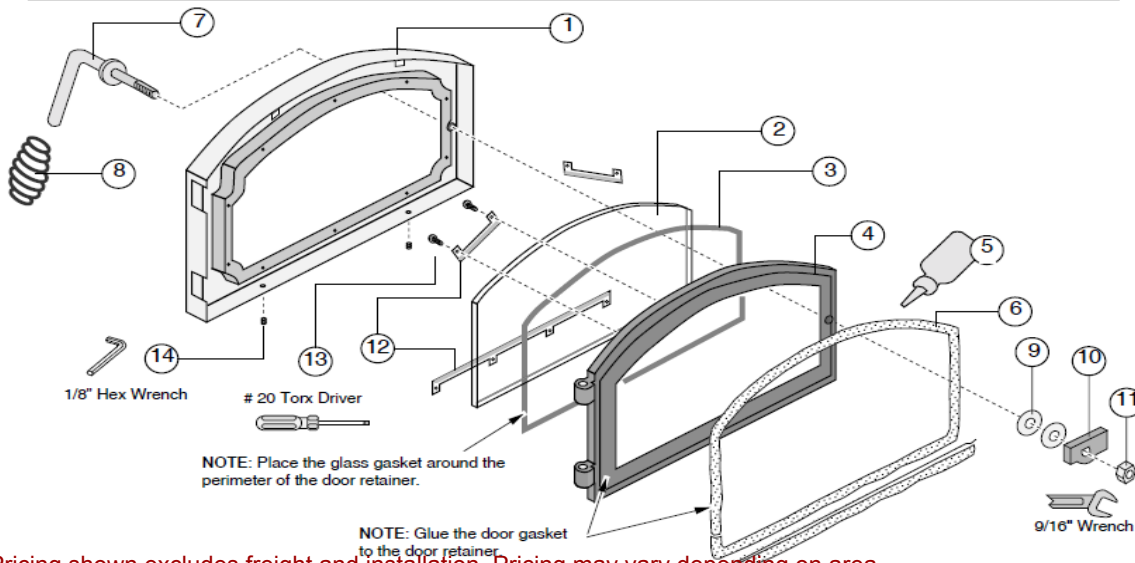


ANSWER SPARE PARTS

Door Parts



Pricing shown excludes freight and installation. Pricing may vary depending on area

ID #	Description	Qty	Part #	\$	Other Detail
1	Door Shell - Black	1	230-00570	\$ 177	
1	Door Shell - Brass	1	230-00572	\$ 629	
1	Door shell - Pewter	1	230-00568	\$ 173	
2	Glass (15-3/8" x 8-7/8")	1	173-01002		Replaced by 250-00463
2	Glass (15-3/8" x 8-7/8")	1	250-00463	\$ 92	
3	Glass Gasket	1	224-11086	\$ 24	
4	Door Retainer with Gasket	1	224-23020	\$ 143	
5	Gasket Cement	1	99900409		See your LOPI Dealer
6	Door Gasket	1	99900407		Replaced by 99900406
6	Door Gasket	1	99900406	\$ 33	
7	Door Handle Assembly - Black	1	224-14042	\$ 54	
7	Door Handle Assembly - Brass	1	99900410	\$ 58	
7	Door Handle Assembly - Pewter	1	224-14052	\$ 58	
8	Spring - Black	1	100-14122		Replaced by 250-00373
8	Spring - Black	1	250-00373	\$ 14	
8	Spring - Brass	1	99300100		Replaced by 250-00591
8	Spring - Brass	1	250-00591	\$ 17	
8	Spring - Pewter	1	100-04103		Replaced by 250-00365
8	Spring - Pewter	1	250-00365	\$ 17	
9	Washers	2	100-03501		Replaced by 250-00364
9	Washers	2	250-00364	\$ 7	
10	Cam	1	99900417		Replaced by 250-00599
10	Cam	1	250-00599	\$ 27	
11	Nut, Brass	1	101-00007		Replaced by 250-00425
11	Nut, Brass	1	250-00425	\$ 14	
12	Glass Clips - Top	2	224-230022		Replaced by 250-00914
12	Glass Clips - Top	2	250-00914	\$ 17	
12	Glass Clips - Bottom	1	224-230021		Replaced by 250-01374
12	Glass Clips - Bottom	1	250-01374	\$ 17	
12	#8-32 3/8" Type F Screw	8	225-20039	\$ 14	
14	Set Screw	2	225-20038	\$ 7	

Replacing the Glass



The glass must not contact the door retainer or glass clips directly. The glass gasket and glass clip gaskets insulate the glass to prevent cracking. Do not over-tighten the glass clips.

See "Door Shell Installation" (pg. 38) for details on removing the door handle and shell. NOTE: The glass gasket is placed in the groove along the inside perimeter of the door retainer. Make sure the glass clip screws are all fully tightened - they must be flush with the door retainer for the door shell to install.

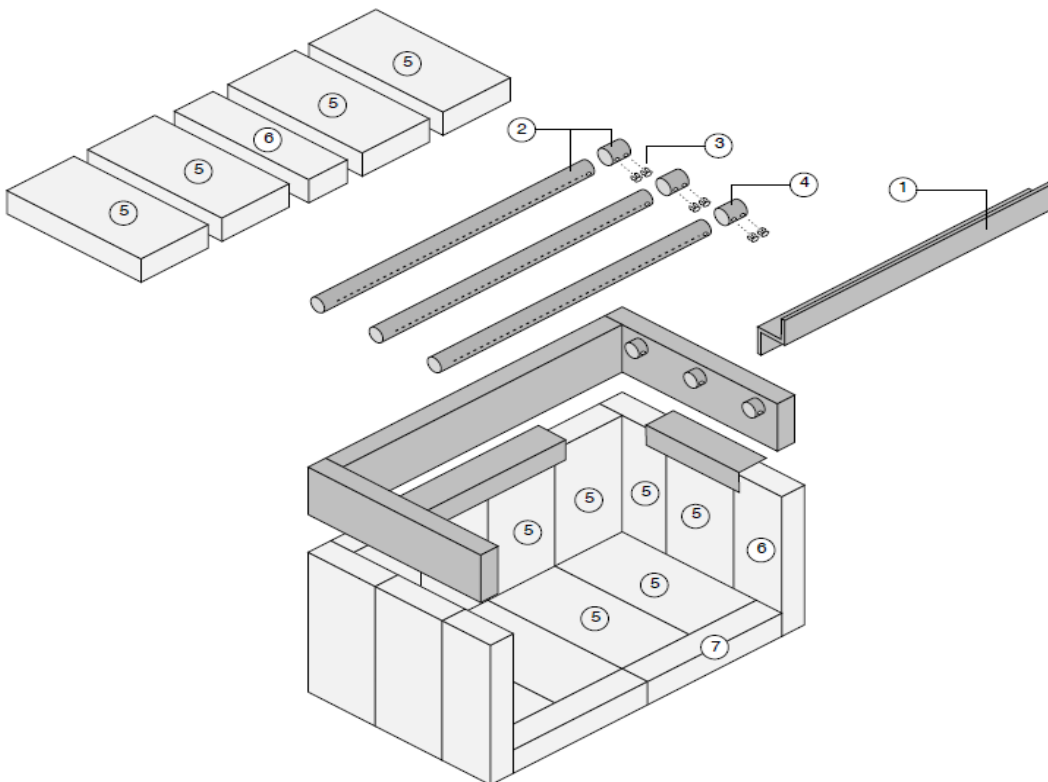
Replacing the Door Gasket

The door gasket inserts into the outer groove of the door retainer. Stove gasket cement holds it in place. Before installing, remove any residual cement. Lay the gasket in place (start at the lower left corner) and cut off any excess gasket (do not stretch the gasket. The cement fully cures with heat from the stove. You may need to open and close the door repeatedly to get the gasket to seat fully.

Replacing the Door Handle

See the illustration above for a component list (see pg. 31 for details on adjusting the door).

Firebox Parts



Pricing shown excludes freight and installation. Pricing may vary depending on area

ID #	Description	Qty	Part #	\$	Other Detail
1	Baffle Support "S" Bar	1	99900294	\$ 51	
2	Air Tube with Sleeve	1	98900232	\$ 41	
3	Air Tube Push Pins	6	98900353		Replaced by 98900357
3	Air Tube Push Pins	6	98900357	\$ 17	
4	Air Tube Retainer Sleeve	1	98900356		Replaced by 250-00042
4	Air Tube Retainer Sleeve	1	250-00042	\$ 7	
5	Brick - 9" x 4.5" uncut	16	98900102		Replaced by 99900102
5	Brick - 9" x 4.5" uncut (Box of 8)	16	99900102	\$ 80	per box
6	Brick - 9" x 2.5" cut	3	250-00019		N/A - See 99900102
7	Brick - 9" x 1.375" cut	2	251-00018		N/A - See 99900102