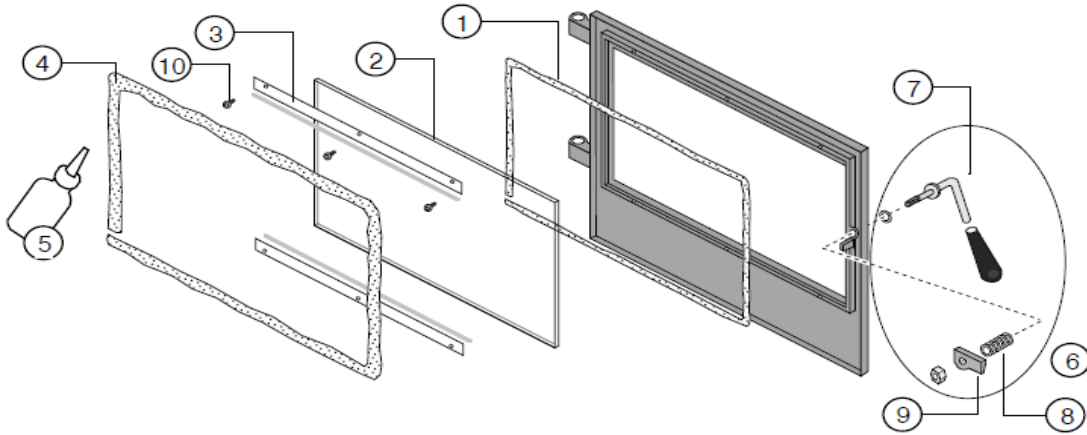


CAMANO SPART PARTS

Door Parts



Pricing shown excludes freight and installation. Pricing may vary depending on area

| ID # | Description | Qty | Part # | \$ | Other Detail |
|------|---------------------------------|-----|-----------|--------|----------------------|
| 1 | Glass Gasket | 1 | 250-00173 | \$ 17 | |
| 2 | Camano Glass | 1 | 250-02073 | \$ 163 | |
| 3 | Glass Clip with Gasket - 3 Hole | 2 | 250-00174 | \$ 14 | |
| 4 | Door Gasket | 1 | 250-00178 | | Replaced by 99900406 |
| 4 | Door Gasket | 1 | 99900406 | \$ 33 | |
| 5 | RTV High Temp. 600deg Silicone | | | | See your LOPI Dealer |
| 6 | Camano Door Handle Assembly | 1 | 250-02074 | \$ 44 | |
| 7 | Camano Door Handle (phenolic) | 1 | 91001605 | \$ 17 | |
| 8 | Door Washer | 1 | 250-00364 | \$ 7 | |
| 9 | Door Cam | 1 | 250-00598 | \$ 27 | |
| 10 | Screws (8) 8-32 x 1/2" Torx | 1 | 225-20039 | \$ 14 | |

Replacing the Glass



The glass must not contact the door retainer or glass clips directly. The glass gasket and glass clip gaskets insulate the glass to prevent cracking. Do not over-tighten the glass clips.

Replacing the Door Gasket

The door gasket inserts into the outer groove of the door. RTV High temp silicone holds it in place. Before installing, remove any residual cement. Lay the gasket in place (start at the lower right corner) and cut off any excess gasket (do not stretch the gasket. You may need to open and close the door repeatedly to get the gasket to seat fully.

Replacing the Door Handle

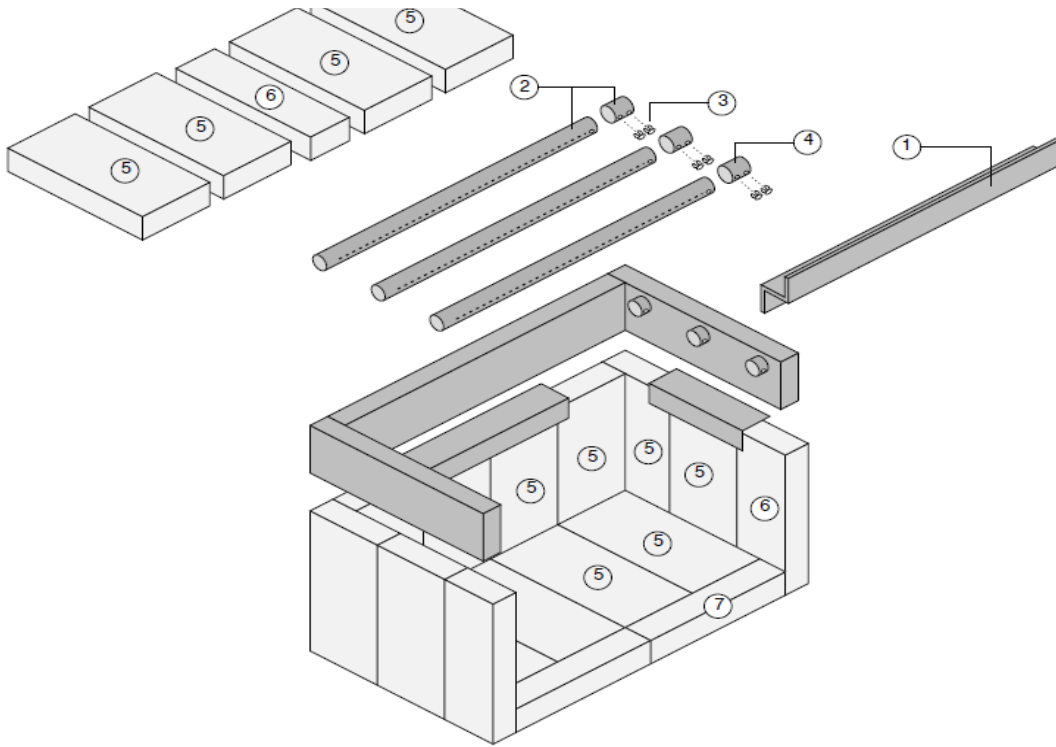
See the illustration above for a component list (see pg. 25 for details on adjusting the door).

Removing the Door

The stove top must be removed to lift the door off the hinges. To remove the stove top, disconnect the flue, remove the four screws securing this stove top to the back panel, and slide it forward away from the stove. When re-installing, make sure the two clips under the stove top engage the slots on the front of the stove.

Firebox Parts





Pricing shown excludes freight and installation. Pricing may vary depending on area

| ID # | Description | Qty | Part # | \$ | Other Detail |
|------|------------------------------------|-----|-----------|-------|----------------------|
| 1 | Baffle Support "S" Bar | 1 | 99900294 | \$ 51 | |
| 2 | Air Tube with Sleeve | 1 | 98900232 | \$ 41 | |
| 3 | Air Tube Roll Pins (Pack of 6) | 1 | 98900357 | \$ 17 | |
| 4 | Air Tube Retainer Sleeve | 1 | 250-00042 | \$ 7 | |
| 5 | Brick - 9" x 4.5" uncut (Single) | 16 | 251-00000 | | Replaced by 99900102 |
| 5 | Brick - 9" x 4.5" uncut (Box of 8) | 16 | 99900102 | \$ 80 | per box |
| 6 | Brick - 9" x 2.25" cut | 3 | 251-00001 | | N/A - Refer 99900102 |
| 7 | Brick - 9" x 1.375" cut | 2 | 251-00018 | | N/A - Refer 99900102 |