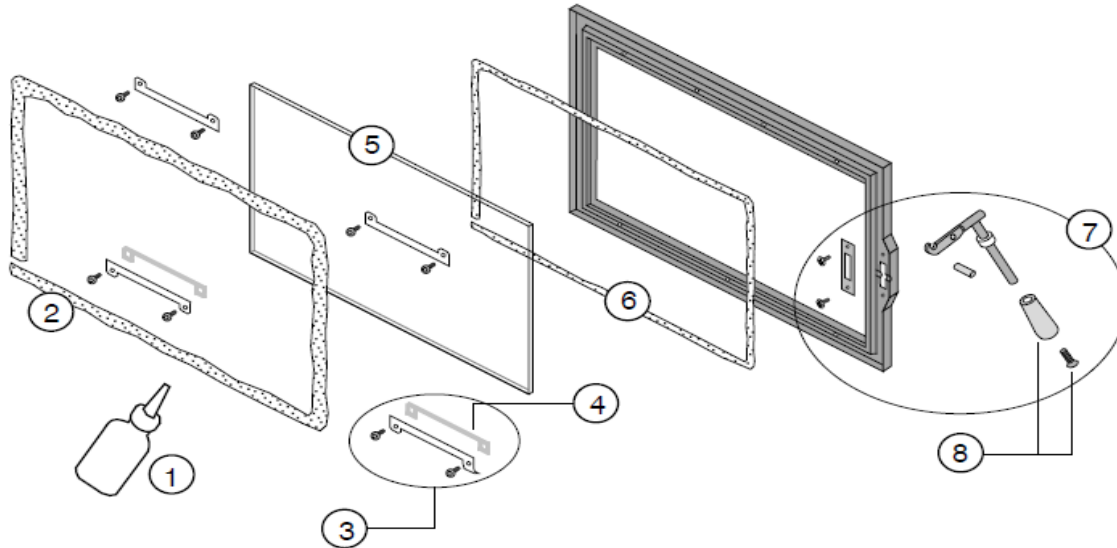


FLUSHWOOD SPART PARTS

Door Parts



Pricing shown excludes freight and installation. Pricing may vary depending on area

ID #	Description	Qty	Part #	\$	Other Detail
1	Gasket Cement, 4oz	1	99900427		See your LOPI Dealer
2	Door Gasket, 3/8" x 70"	1	99900429	\$ 34	
3	Clips with Screws, Gaskets - Rect	1	250-02191	\$ 10	
4	Clip Gaskets	1	250-02194		Replaced by 250-02182
4	Clip Gaskets	1	250-02182		See your LOPI Dealer
5	Glass with Gasket - Rectangle	1	250-02183	\$ 170	
6	Glass Gasket (1/4" x 65")	1	250-02184	\$ 7	
7	Handle Assembly	1	250-02196	\$ 37	
8	Wood Handle with Screw	1	250-01805		Replaced by 250-01305
8	Wood Handle with Screw	1	250-01305	\$ 10	

Replacing the Glass



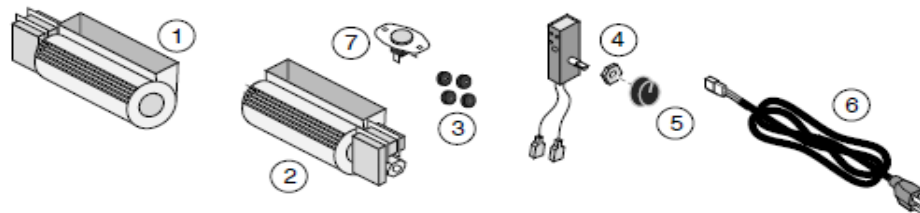
The glass must not contact the door retainer or glass clips directly. The glass gasket and glass gaskets insulate the glass to prevent cracking. Do not over-tighten the glass clips.

Lay the glass gasket in the door frame (cut off excess gasket). Place the glass on the gasket. Secure the glass clips to hold the glass in place (make sure the glass clip gaskets are in place).

Replacing the Door Gasket

The door gasket inserts into the outer groove of the door retainer. Stove gasket cement holds it in place. Before installing, remove any residual cement. Lay the gasket in place (start at the lower left corner) and cut off any excess gasket (do not stretch the gasket). The cement fully cures with heat from the stove. You may need to open and close the door repeatedly to get the gasket to seat fully.

Blower and Electrical Parts



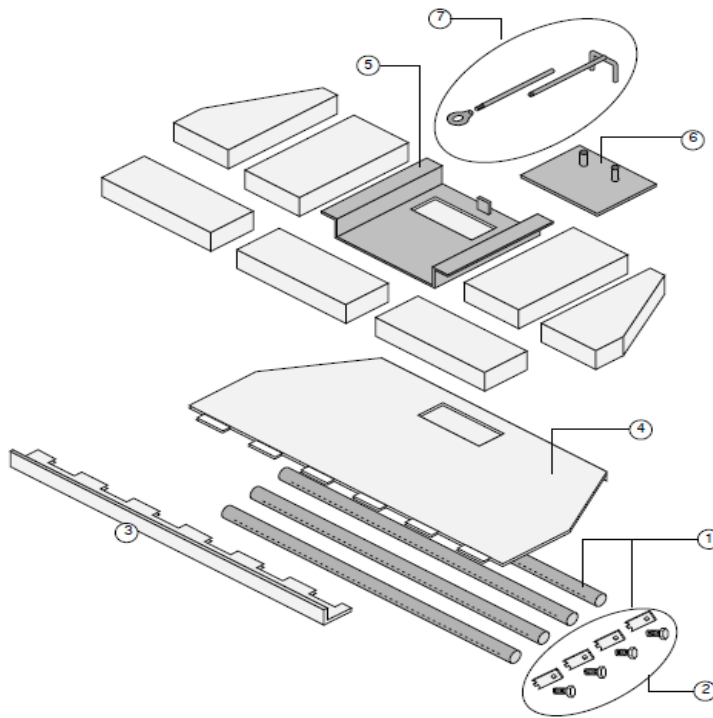
Pricing shown excludes freight and installation. Pricing may vary depending on area

ID #	Description	Qty	Part #	\$	Other Detail
1	Left Blower	1	228-10069	\$ 99	
2	Right Blower	1	228-10070	\$ 99	
3	Blower Grommets with Spacers	4	250-00369		Replaced by 93005017
3	Blower Grommets with Spacers	4	93005017	\$ 10	
4	Rheostat	1	250-00302	\$ 24	

5	Rheostat Knob with Nut	1	250-00869		Replaced by 250-00369
5	Rheostat Knob with Nut	1	250-00369	\$ 7	
6	Power Cord	1	250-00316	\$ 24	
7	Thermodisk	1	228-30050	\$ 31	

Pricing shown excludes freight and installation. Pricing may vary depending on area

Firebox Parts



ID #	Description	Qty	Part #	\$	Other Detail
1	Sec. Air Tube with Pin L-24	1	98900243	\$ 92	
2	Air Tube Pin with Screw	1	250-02186	\$ 14	
3	Baffle Front	1	250-02187	\$ 48	
4	Baffle Plate	1	250-02188	\$ 122	
5	Bypass Plate	1	221-12120	\$ 41	
6	Bypass Slider	1	221-12122		Replaced by 250-02203
6	Bypass Slider	1	250-02203	\$ 34	
7	Damper Yoke	1	250-02189	\$ 24	

Pricing shown excludes freight and installation. Pricing may vary depending on area

Baffle Removal

- 1 Remove the face to prevent damage. Remove the door (lift off hinges).
- 2 Remove the front two air tubes (see "Air Tube Removal & Replacement" on the following page).
- 3 Remove front row of bricks.
- 4 Unscrew the damper rod extension from damper yoke and slide it forward to remove (you may need to use pliers to unscrew the rod).
- 5 Lift the damper yoke up to disengage it from the damper plate. The yoke may be left in place or unscrewed and removed if needed.
- 6 Remove the bypass plate and damper assembly by pulling forward and leaning the front edge down.
- 7 Remove the four rear bricks.
- 8 Remove baffle front and baffle plate (rotate it forward).